



# Xinchai Diesel Engine Parts Manual

## For Xinchai NC485BPG Engine Xinchai NC485 Diesel Engine for HELI Hangcha Forklift Trucks

This catalog is published to offer convenience to customers. It includes all parts of the Xinchai engine model NC485BPG. It is requested to provide the following information if you need the parts of these forklift diesel engines:

1. The model of the engine and the serial number;
2. The part number indicated in this catalog;
3. The name and quantity of the part required.

Please read the Xinchai NC485BPG engine parts manual carefully. And then give us the right part numbers of the components. We will try our best to provide you with the correct forklift engine accessories at a good price.



Anhui Leading Forklift Parts Co., Ltd.  
[www.leadingforkliftparts.com](http://www.leadingforkliftparts.com)  
[www.youtube.com/@leadingforkliftparts](https://www.youtube.com/@leadingforkliftparts)



# NC485BPG

## 柴油机零件图册

Parts Catalogue For NC485BPG Diesel Engine



生产许可证  
XK08-002-00443

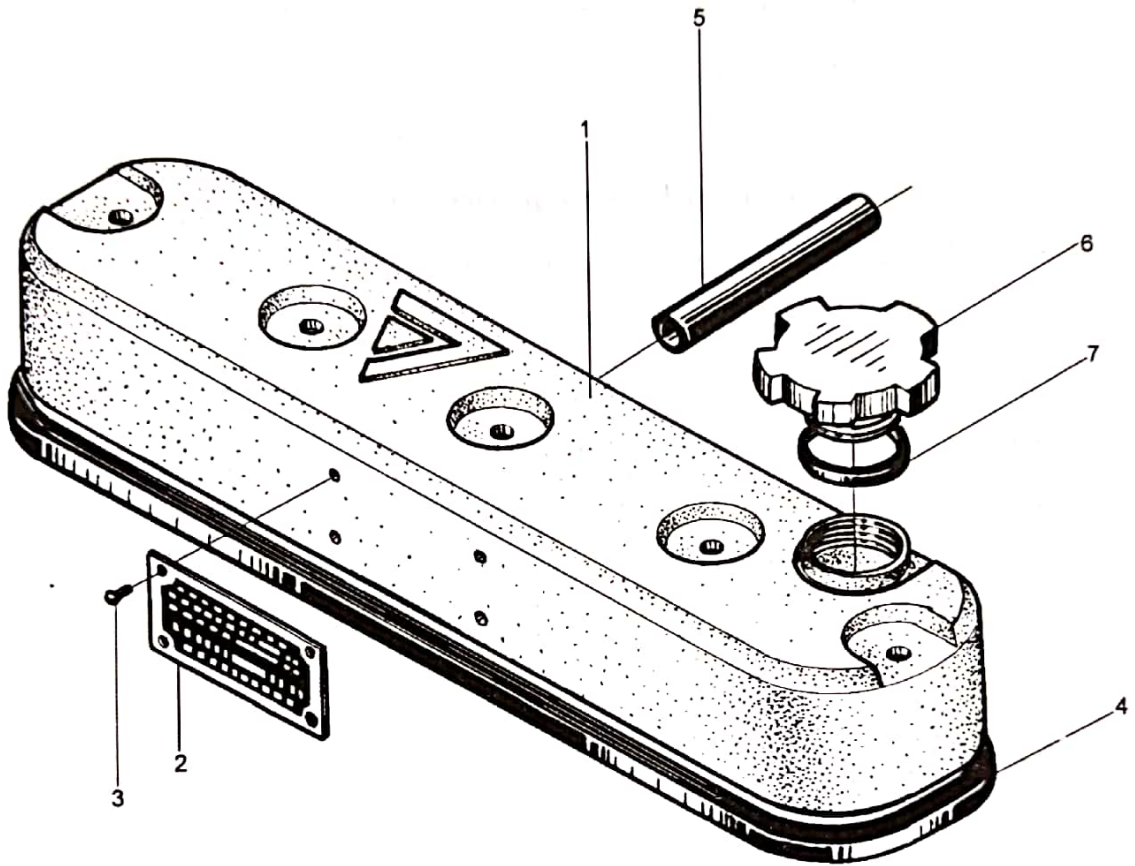
 **浙江新柴股份有限公司**  
ZHEJIANG XINCHAI CO., LTD

# 目 录

## Contents

气缸盖罩总成 Cylinder head cover assembly .....	2
气缸盖总成 Cylinder head assembly .....	4
机体总成 Cylinder block assembly .....	8
曲轴连杆组件 Crankshaft and connecting rod components .....	12
配气系统和正时齿轮传动系总成 Gas exchanging system and timing gear train assembly ...	14
冷却系统 Cooling system .....	18
燃油供油系统 Fuel supply system assembly .....	22
润滑系统 Lubricating system .....	24
电气系统 Electrical system .....	28

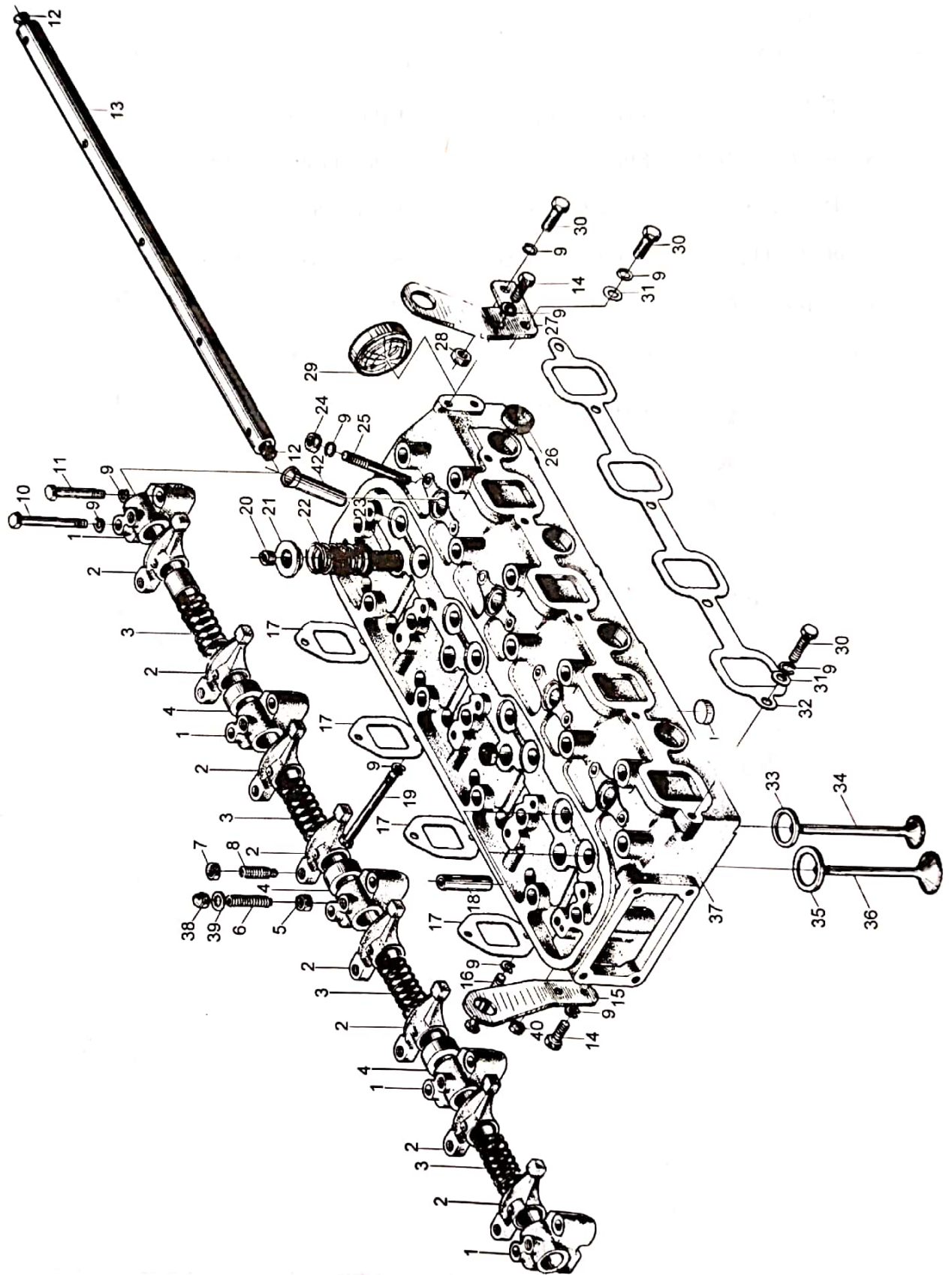
# 气缸盖罩总成 Cylinder head cover assembly



## 气缸盖罩总成 Cylinder head cover assembly

序号 No.	代 号 Part No.	名 称 Name	数量 Q'ty	备 注 Remarks
1	NC485B-11100	气缸盖罩焊接部件 Cylinder head cover	1	
2	NC485BPG-11009	铭牌 Identification marker	1	
3	GB/T827-1986	标牌铆钉 2×5 Rivet 2×5	4	
4	NC485B-11104	气缸盖罩密封圈 Seal ring, cylinder head cover	1	
5	NA485B-11010	通气管 Pipe	1	
6	490B-11013A	加油口盖 Oil filler cap	1	
7	490B-11014	加油口盖垫圈 Oil filler cap washer	1	

# 气缸盖总成 Cylinder head assembly



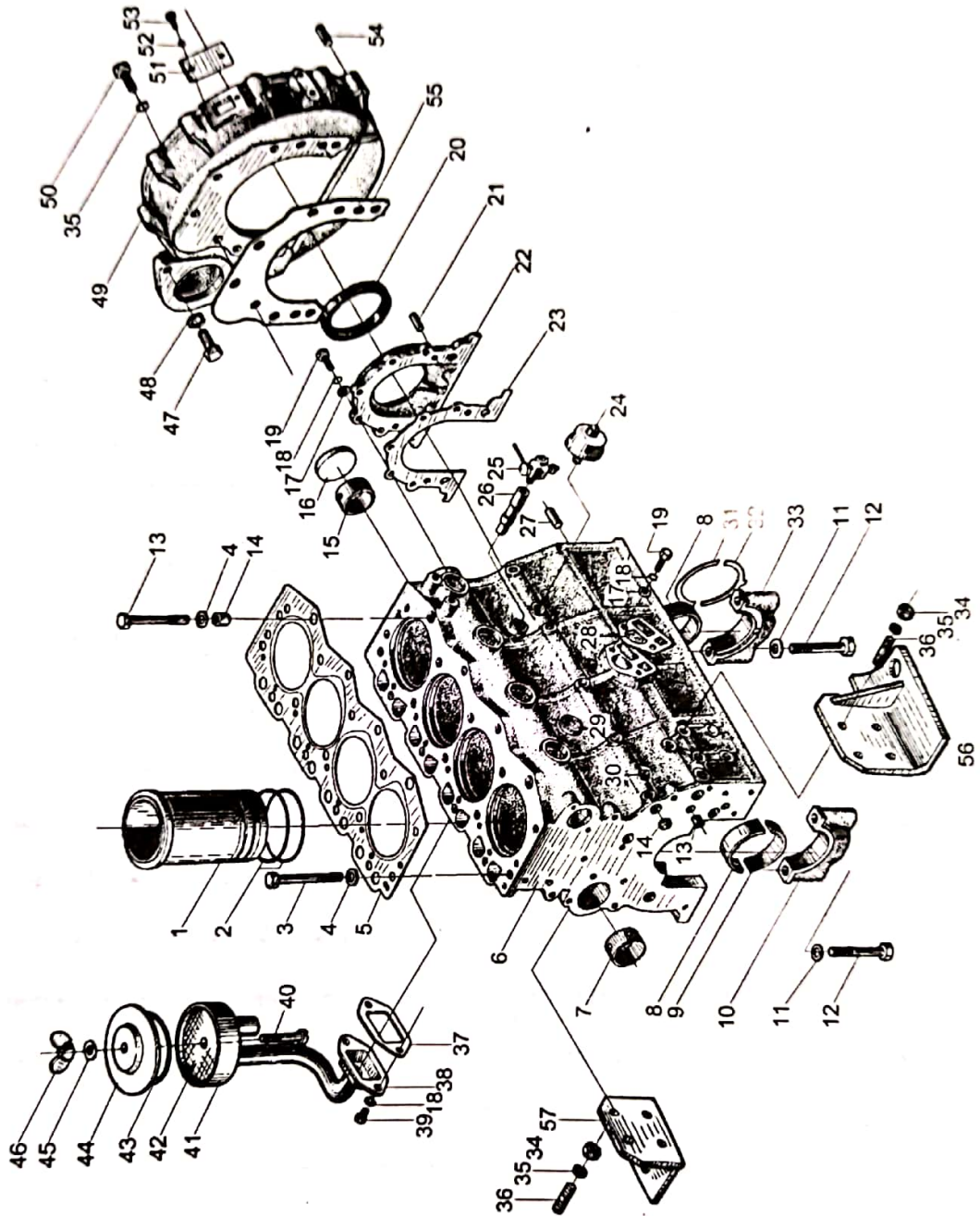
## 气缸盖总成 Cylinder head assembly

序号 No.	代号 Part No.	名称 Name	数量 Q'ty	备注 Remarks
1	NA385B-03202	气门摇臂支座 Valve rocker arm seat	5	
2	NA385B-03212	气门摇臂组件 Valve rocker arm assembly	8	
3	NA385B-03203	气门摇臂轴弹簧 Valve rocker arm spring	4	
4	NA385B-03206	轴套 Bush	3	
5	GB/T6170-2000	螺母 M8 Nut M8	5	
6	GB/T79-2000	内六角圆柱端紧定螺钉 M8×37 Screw M8×37	5	
7	NA385B-03205	气门间隙调整螺母 Adjusting nut for valve clearance	8	
8	NA385B-03201	气门间隙调整螺钉 Adjusting screw for valve clearance	8	
9	GB/T93-1987	弹簧垫圈 8 Spring washer 8	35	
10	GB/T5782-2000	六角头螺栓 M8×60 Bolt M8×60	5	
11	GB/T5782-2000	六角头螺栓 M8×45 Bolt M8×45	5	
12	ZBT32003-88	碗形塞片 12 Bowl plug 12	2	
13	NA485B-03204	摇臂轴 Rocker arm shaft	1	
14	GB/T5783-2000	六角头螺栓 M8×20 Bolt M8×20	8	
15	NA385B-03009	吊耳 Hoisting ring	1	
16	GB/T5782-2000	六角头螺栓 M8×55 Bolt M8×55	2	
17	NA385B-03003	排气管垫片 Gasket exhaust manifold	4	
18	NA385B-03102	气门导管 Valve guide	8	
19	GB/T5782-2000	六角头螺栓 M8×75 Bolt M8×75	4	
20	NA385B-03006	气门锁夹 Split valve lock	16	
21	MA385B-03007	气门弹簧上座 Valve spring upper seat	8	
22	NA385B-03004	气门外弹簧 Valve spring	8	
23	NA385B-03005	气门内弹簧 Valve spring	8	
24	NC485B-03112	喷油器压板 Press place	4	

气缸盖总成 Cylinder head assembly

序号 No.	代号 Part No.	名称 Name	数量 Q'ty	备注 Remarks
25	A490BZL-03017	喷油器紧固螺栓	4	
26	ZBT32003-88	碗形塞片 26	4	
27	NA385B-03010	吊耳(A)	1	
28	GB/T6170-2000	六角螺母 M8	1	
29	NA485B-03111	碗形塞片 55	1	
30	GB/T5783-2000	螺栓 M8×25	7	
31	GB/T97.1-1985	平垫圈 8-140HV	6	
32	NA485B-03016	进气管垫片	1	
33	NA385B-03108	排气门座	4	
34	NA385B-03015	排气门	4	
35	NA385B-03107	进气门座	4	
36	NA385B-03014	进气门	4	
37	NC485B-03101	气缸盖	1	
38	GB/T923-1988	盖形螺母 M8	5	
39	JB982-77	组合密封垫圈 8	5	
40	ZBT32003-88	碗形塞片 10	4	
41	ZBT32003-88	碗形塞片 20	8	
42	A490B-03109	喷油器铜套	4	

# 机体总成 Cylinder block assembly



## 机体总成 Cylinder block assembly

序号 No.	代 号 Part No.	名 称 Name	数量 Q'ty	备 注 Remarks
1	NA385B-01005	气缸套 Cylinder liner	4	
2	490B-01006	气缸套封水圈 Cylinder liner water seal	8	
3	NA385B-01002	气缸盖长螺栓 Cylinder head bolt(long)	14	
4	NA385B-01044	气缸盖螺栓垫圈 Washer for cylinder head bolt	18	
5	NA485B-01004	气缸盖垫片 Cylinder head gasket	1	
6	NA485B-01101	机体 Cylinder block	1	
7	NA485BPG-01103	凸轮轴衬套 Camshaft bush	1	
8	NA85B-01034	主轴瓦(上) Main bearing,upper half	5	
9	NA385B-01033	主轴瓦(下) Main bearing,lower half	5	
10	NA385B-01104	主轴承盖 Main bearing cover	4	
11	NA385B-01105	主轴承螺栓垫圈 Washer for main bearing	10	
12	NA385B-01106	主轴承盖螺栓 Bolt for main bearing cover	10	
13	NA385B-01003	气缸盖短螺栓 Cylinder head bolt(short)	4	
14	NA385B-01013	气缸盖定位套 Cylinder head pin bush	2	
15	NA485BPG-01109	凸轮轴后衬套 Rear camshaft bush	2	
16	NA385B-01108	碗形塞片 Bowl plug	1	
17	GB/T97·1-1985	平垫圈 8-140HV Washer 8-140HV	13	
18	GB/T93-1987	弹簧垫圈 8 Spring washer 8	15	
19	GB/T5783-2000	六角头螺栓 M8×25 Bolt M8×25	8	
20		油封王 85×110×12 Oil seal 85×110×12	1	
21	GB/T119·1-2000	圆柱销 A8×16 Pin A8×16	2	
22	NA385B-01024	后油封座 Rear oil seal cap	1	
23	NA385B-01025	后油封座垫片 Rear oil seal cap gasket	1	
24	490B-01078	油压传感器 303 Transducer oil pressure 303	1	

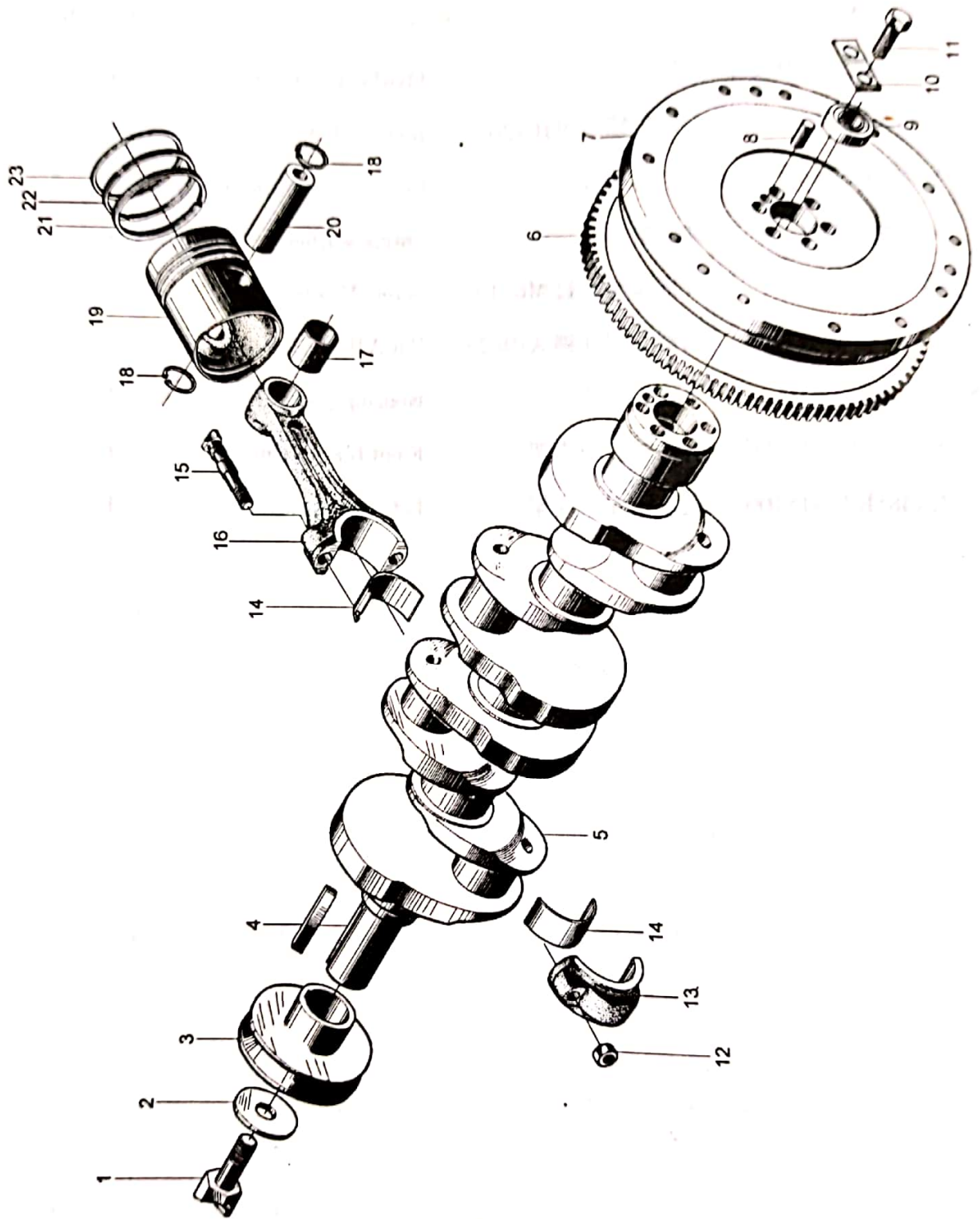
## 机体总成 Cylinder block assembly

序号 No.	代号 Part No.	名称 Name	数量 Q'ty	备注 Remarks
25	485-01100	放水阀部件 Drain cork	1	
26	NA385B-01014	放水阀接管 Linking tube of drain cork	1	
27	GB/T119·1-2000	圆柱销 A10×20 Pin A10×20	2	
28	NA385B-01073	机油滤清器垫片 Oil filter gasket	1	
29	ZBT32003-88	碗形塞片 30 Bowl plug 30	8	
30	NA385B-01110	螺塞 Plug	5	
31	NA385B-01026	曲轴止推片(上) Crankshaft thrust bearing (upper)	2	
32	NA385B-01022	曲轴止推片(下) Crankshaft thrust bearing (lower)	2	
33	NA385B-01107	后主轴承盖 Rear main bearing cap	1	
34	GB/T6170-2000	六角螺母 M10 Nut M10	6	
35	GB/T93-1987	弹簧垫圈 10 Spring washer 10	16	
36	GB/T898-1988	双头螺栓 GM10-M10×25-8.8 Bolt GM10-M10×25-8.8	6	
37	NA385B-34001	推杆室盖垫片 Cover gasket	1	
38	NA385B-34002	推杆室盖板 Cover plate	1	
39	GB/T5783-2000	六角头螺栓 M8×16 Bolt M8×16	2	
40	GB/T65-2000	开槽圆柱头螺钉 M6×45 Screw M6×45	1	
41	490B-34006	呼吸器下体 Lower body,air intake device	1	
42		滤网 Filter net	1	
43	490B-34009	O 型密封圈 O-ring	1	
44	490B-34005	呼吸器上盖 Upper cover,air intake device	1	
45	GB/T97·1-1985	垫圈 6-140HV Washer 6-140HV	1	
46	GB/T62-1988	蝶形螺母 M6 Nut M6	1	
47	GB/T5783-2000	六角头螺栓 M12×30 Bolt M12×30	2	
48	GB/T93-1987	弹簧垫圈 12 Spring washer 12	2	

## 机体总成 Cylinder block assembly

序号 No.	代号 Part No.	名称 Name	数量 Q'ty	备注 Remarks
49	NA485BPG-13001-1	飞轮壳 Flywheel housing	1	
50	GB/T5783-2000	六角头螺栓 M10×30 Bolt M10×30	8	
51	NA385B-13003	观察孔盖板 Cover,inspection window	1	
52	GB/T93-1987	弹簧垫圈 6 Spring washer 6	4	
53	GB/T67-2000	开槽盘头螺钉 M6×10 Screw M6×10	2	
54	GB/T120·1-2000	内螺纹圆柱销 A10×25 Pin A10×25	2	
55	NA385B-13004	飞轮壳垫片 Housing pad	1	
56	NA485BPG-15200	发动机右前支架 Front bracket,engine	1	
57	NA485BPG-15100	发动机左前支架 Left front bracket,engine	1	

# 曲轴连杆组件 Crankshaft and connecting rod components

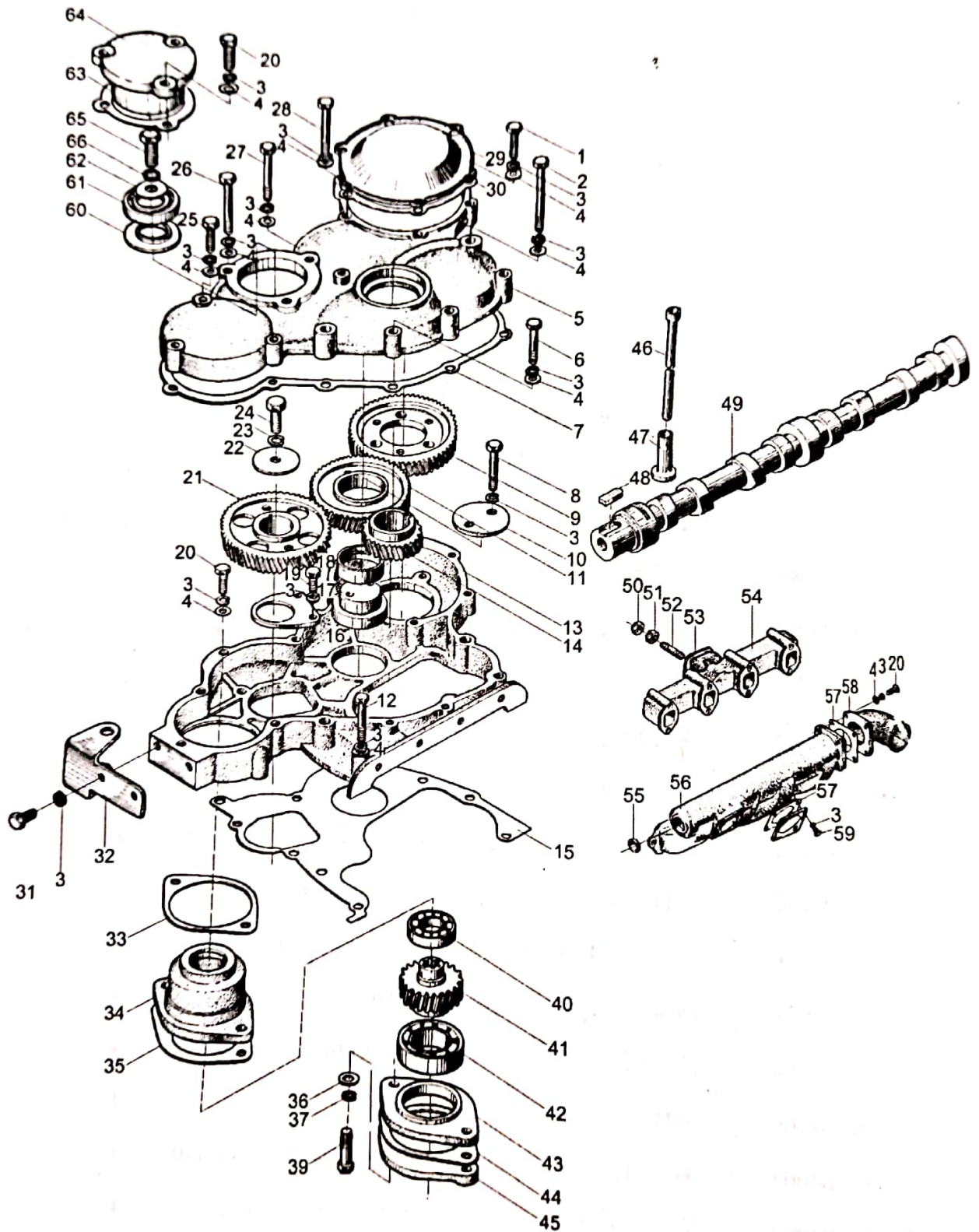


## 曲轴连杆组件 Crankshaft and connecting rod components

序号 No.	代 号 Part No.	名 称 Name	数量 Q'ty	备 注 Remarks
1	NA385B-05008	起动爪 Starting pawl	1	
2	NA385B-05007	起动爪垫圈 Washer for starting pawl	1	
3	NA485B-05006	曲轴皮带轮 Crankshaft pulley	1	
4	GB/T1096-1979	键 C10×63 Key C10×63	1	
5	NB485B-05004	曲轴 Crankshaft	1	
6	490B-05102	齿圈 Ring gear	1	
7	NA485BPG-05101	飞轮 Flywheel	1	
8	GB/T119·1-2000	圆柱销 A10×20 Pin A10×20	1	
9	GB/T276-1994	带防尘盖的单列向心球 轴承 6302-2Z Single row radial ball bearing 6302-2Z	1	
10	NA385B-05001	飞轮螺栓垫片 Washer for flywheel bolt	3	
11	NA385B-05002	飞轮螺栓 Flywheel bolt	6	
12	NB385B-04205	连杆螺母 Nut for connecting rod	8	
13	NB385B-04212	连杆盖 Connecting rod cap	4	
14	NA385B-04005	连杆轴瓦 Connecting rod bearing	8	
15	NB385B-04203	连杆螺栓 Connecting rod bolt	8	
16	NB385B-04211	连杆 Connecting rod	4	
17	NB385B-04202	连杆衬套 Connecting rod bush	4	
18	GB/T893·1-1986	孔用弹性挡圈 28 Elastic retainer 28	8	
19	NC485B-04001	活塞 Piston	4	
20	NA385B-04004	活塞销 Piston pin	4	
21	NA385B-04100	油环 Oil ring	4	
22	NA385B-04003	第二道活塞环 Compression ring(second)	4	
23	NA385B-04002	第一道活塞环 Compression ring(top)	4	

配气系统和正时齿轮传动系总成

Gas exchanging system and Timing gear train assembly



## 配气系统和正时齿轮传动系总成

Gas exchanging system and  
Timing gear train assembly

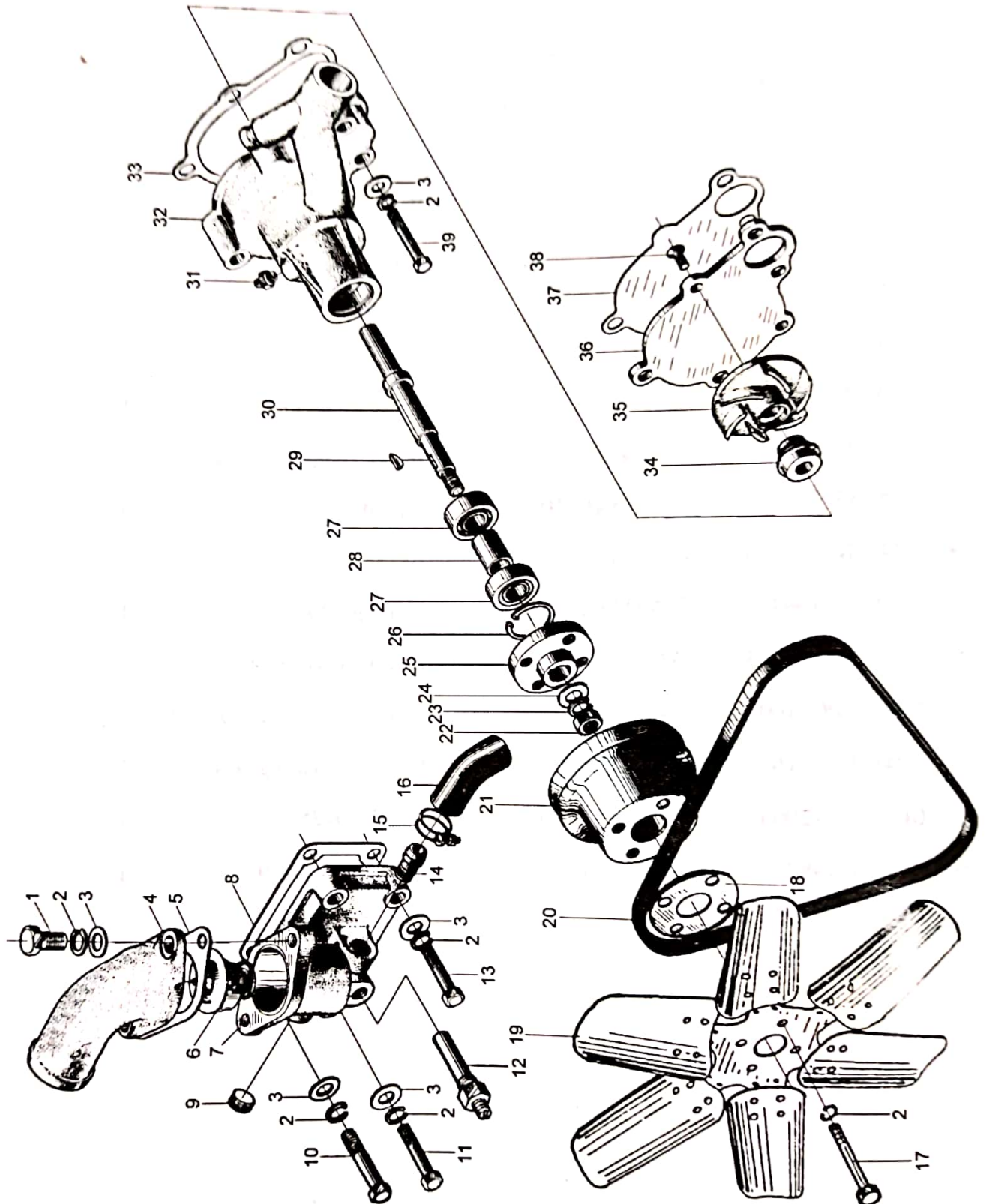
序号 No.	代 号 Part No.	名 称 Name		数量 Q'ty	备 注 Remarks
1	GB/T5782-2000	六角头螺栓 M8×35	Bolt M8×35	4	
2	GB/T5782-2000	六角头螺栓 M8×80	Bolt M8×80	2	
3	BG/T93-1987	弹簧垫圈 8	Spring washer 8	35	
4	GB/T97.1-1985	平垫圈 8-140HV	Washer 8-140HV	25	
5	NB485BPG-16001	齿轮室盖	Gear housing cover	1	
6	GB/T5782-2000	六角头螺栓 M8×45	Bolt M8×45	2	
7	NA485BPG-16002	齿轮室盖垫片	Gasket	1	
8	GB/T5782-2000	六角头螺栓 M8×50	Bolt M8×50	2	
9	NA485BPG-02003	喷油泵正时齿轮	Timing gear for injection pump	1	
10	NA385B-02012	正时惰齿轮压板	Clamping plate for timing idle gear	1	
11	NA485BPG-02006	正时惰齿轮	Timing idle gear	1	
12	GB/T5782-2000	六角头螺栓 M8×50	Bolt M8×50	1	
13	NA485BPG-16003	齿轮室	Gear housing	1	
14	NA485BPG-02007	曲轴正时齿轮	Timing gear for crankshaft	1	
15	NA485BPG-16009	齿轮室垫片	Gear housing gasket	1	
16	NA358B-02008	凸轮轴压板	Stopping plate for camshaft	1	
17	NA485BPG-02004A	正时惰齿轮轴	Timing idle gear shaft	1	
18	NA485BPG-02005	正时惰齿轮衬套	Timing idle gear bush	1	
19	GB/T5783-2000	六角头螺栓 M8×20	Bolt M8×20	2	
20	GB/T5783-2000	六角头螺栓 M8×25	Bolt M8×25	9	
21	NA485BPG-02009	凸轮轴正时齿轮	Camshaft timing gear	1	
22	NA385B-02011	凸轮轴正时齿轮压板	Clamping plate for camshaft timing gear	1	
23	GB/T93-1987	弹簧垫圈 12	Spring washer 12	1	
24	GB/T5783-2000	六角头螺栓 M12×30	Bolt M12×30	1	

## 配气系统和正时齿轮传动系总成

Gas exchanging system and  
Timing gear train assembly

序号 No.	代 号 Part No.	名 称 Name	数量 Q'ty	备 注 Remarks	
25	GB/T5782-2000	六角头螺栓 M8×40	Bolt M8×40	3	
26	GB/T5782-2000	六角头螺栓 M8×65	Bolt M8×65	2	
27	GB/T5782-2000	六角头螺栓 M8×60	Bolt M8×60	1	
28	GB/T5782-2000	六角头螺栓 M8×75	Bolt M8×75	2	
29	NA385B-16005	提前器盖	Adancer Cover	1	
30	NA385B-16006	提前器盖垫片	Adancer cover gasket	1	
31	GB/T5783-2000	六角头螺栓 M8×20	Bolt M8×20	2	
32	NA485BPG-53002	发电机支架	Electric generator	1	
33	NA485BPG-16021	液压泵齿轮支承架垫片	Bracket gasket,hydraulic pump gear	1	
34	NA485BPG-16020	液压泵齿轮支承架	Bracket,hydraulic pump gear	1	
35	NA485BPG-16022	液压泵联接板垫片	Connecting plate gasket, hydraulic pump	1	
36	GB/T97.1-1985	平垫圈	Washer	2	
37	GB/T93-1987	弹簧垫圈 10	Spring washer 10	2	
39	GB/T5782-2000	螺栓 M10×50	Bolt M10×50	2	
40	GB/T276-1994	轴承 6005	Bearing 6005	1	
41	NA485BPG-02017	液压泵齿轮	Hydraulic pump gear	1	
42	GB/T292-1994	向心推力球轴承 7008C	Bearing 7008C	1	
43	NA485BPG-16023	液压泵联接板	Hydraulic pump connector plate	1	
44	NA485BPG-16024	液压泵垫片	Hydraulic pump gasket	1	
45	NA485BPG-16025	端盖	End cap	1	
46	NA385B-06003	气门挺杆	Push rod	8	
47	NA385B-06002	气门挺柱	Tappet	8	
48	GB/T1096-1988	平键 C10×25	Kep C10×25	1	
49	NB485BPG-06001	凸轮轴	Camshaft	1	

# 冷却系统 Cooling system



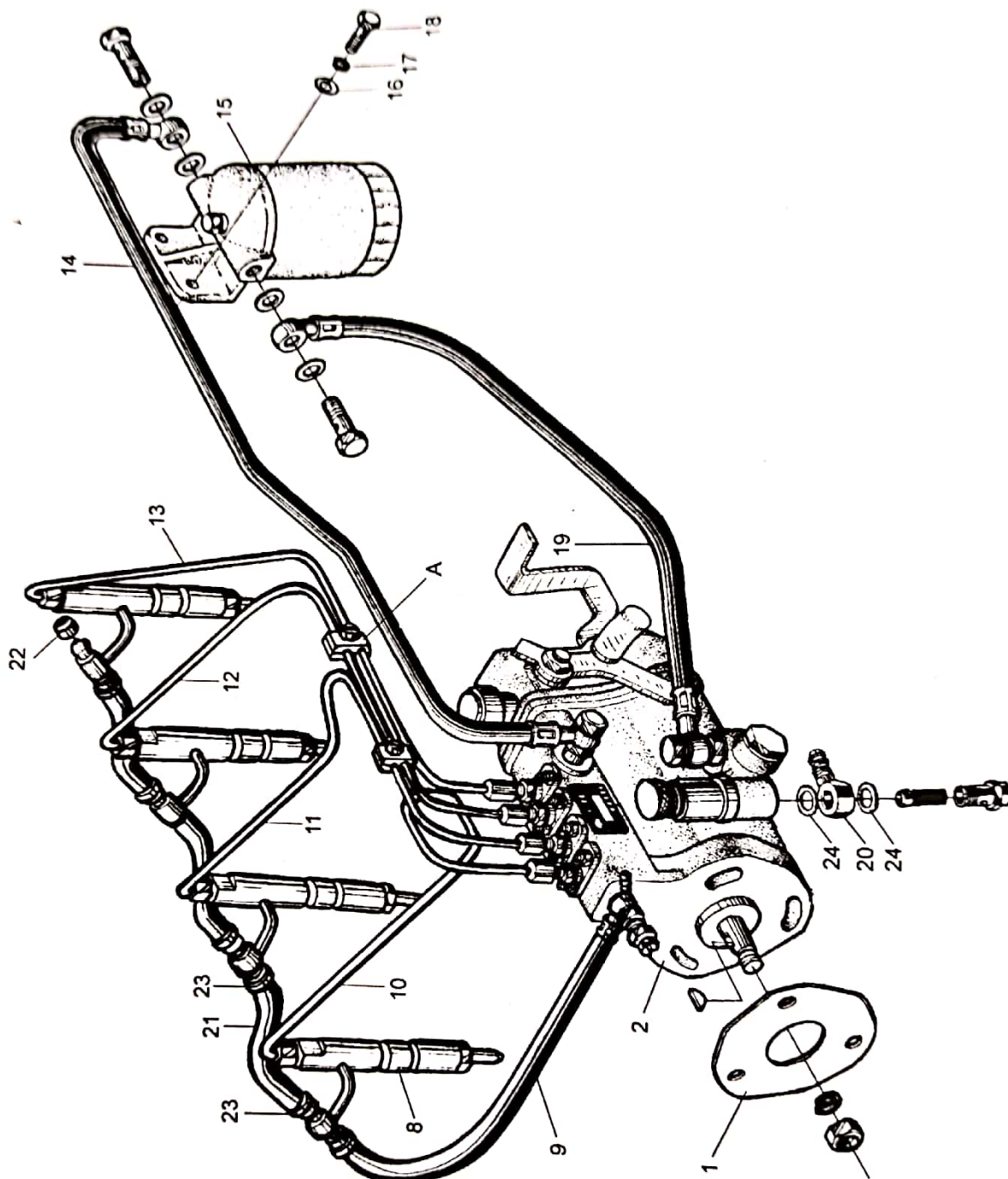
## 冷却系统 Cooling system

序号 No.	代号 Part No.	名称 Name		数量 Q'ty	备注 Remarks
1	GB/T5783-2000	六角头螺栓 M8×20	Bolt M8×20	2	
2	GB/T93-1987	弹簧垫圈 8	Spring washer 8	14	
3	GB/T97.1-1985	平垫圈 8-140HV	Washer 8-140HV	10	
4	NA385B-43001	节温器盖	Thermostat cover	1	
5	NA385B-43003	节温器盖垫片	Thermostat cover gasket	1	
6	NA385B-43002	节温器(1052A 型)	Thermostat(1052A)	1	
7	NA385B-43010	节温器壳	Thermostat housing	1	
8	NA385B-43005	节温器壳垫片	Thermostat housing gasket	1	
9	490B-43008	螺塞 NPT3/8	Plug NPT3/8	1	
10	GB/T5782-2000	六角头螺栓 M8×45	Bolt M8×45	1	
11	GB/T5782-2000	六角头螺栓 M8×40	Bolt M8×40	1	
12	NA385B-43009	水温表传感器	Transducer water temperature	1	
13	GB/T5782-2000	六角头螺栓 M8×35	Bolt M8×35	2	
14	NA385B-43012	水管接头	Union	1	
15	ZBT32005.1-88	双钢丝式环箍 26	Hose clamp 26	1	
16	NA385B-43007	水泵与节温器壳联接胶管	Rubber hose	1	
17	GB/T5783-2000	六角头螺栓 M8×16	Bolt M8×16	4	
18	490B-41003-2	风扇垫块	Fan adaptor	1	
19	490B-41100-2	风扇部件	Fan	1	
20	HG4-401-74	风扇胶带 15×9×970	Fan belt 15×9×970	1	
21	NA385B-41002	风扇皮带轮	Fan pulley	1	
22	GB/T6170-2000	六角螺母 M10	Nut M10	1	
23	GB/T93-1987	弹簧垫圈 10	Spring washer 10	1	
24	GB/T97.1-1985	平垫圈 10-140HV	Flat washer 10-140HV	1	

## 冷却系统 Cooling system

序号 No.	代号 Part No.	名称 Name		数量 Q'ty	备注 Remarks
25	NA385B-42001	水泵皮带轮毂	Fan pulley hub	1	
26	GB/T893·1-1986	孔用弹性挡圈 35	Elastic retainer internal 35	1	
27	GB/T276-1994	带防尘盖的单列向心球 轴承(6202-Z)	Ball bearing 6202-Z	2	
28	NA385B-42003	轴承隔套	Bearing spacer sleeve	1	
29	GB/T1099-1979	半圆键 4x6.5x16	Woodruff key 4x6.5x16	1	
30	NA385B-42002	水泵轴	Water pump shaft	1	
31	GB1153-79	接头式压注油杯 90° M8x1	Oil cap 90° M8x1	1	
32	NA385B-42004	水泵壳体	Water pump housing	1	
33	NA385B-42005	水泵垫片	Water pump housing gasket	1	
34	NA385B-42009	水封 IF-12	Water seal IF-12	1	
35	NA385B-42008	水泵叶轮	Water pump impeller	1	
36	NA385B-42006	水泵联接板	Linking plate,water pump	1	
37	NA385B-42007	水泵联接板垫片	Linking plate gasket	1	
38	GB/T68-1985	开槽沉头螺钉 M6x12	Flat head cap screw M6x12	2	
39	GB/T5782-2000	六角头螺栓 M8x50	Bolt M8x50	4	

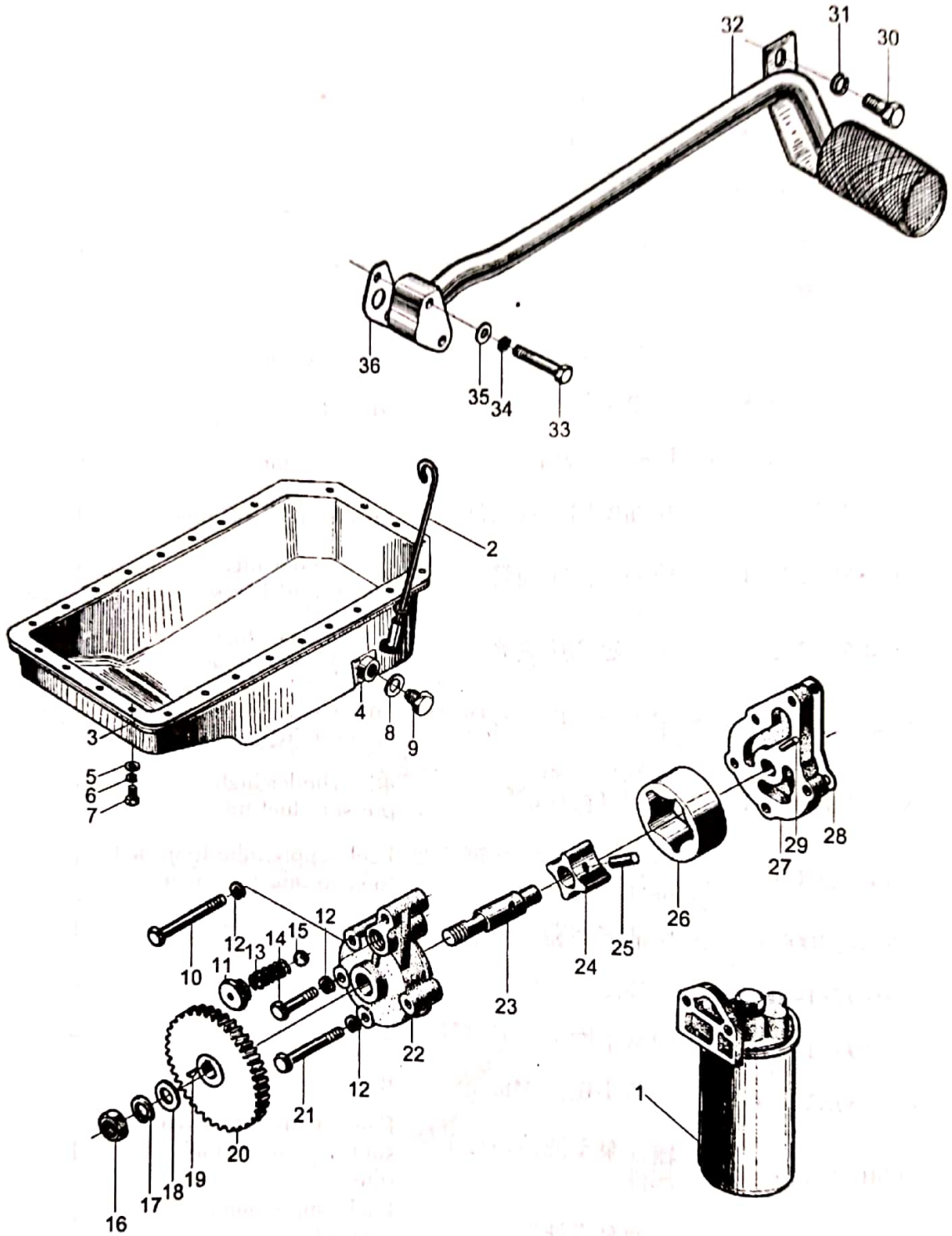
# 燃油供油系统 Fuel supply system assembly



## 燃油供油系统 Fuel supply system assembly

序号 No.	代号 Part No.	名称 Name	数量 Q'ty	备注 Remark
1	490B-16011-1	喷油泵垫片 Gasket	1	
2	NC485BPG-21000	喷油泵(4QT72) Fuel injection pump	1	
3	GB/T29·1-1988	六角头头部带槽螺栓 M6×25 Bolt M6×25	3	
4	490B-23501	卡箍 Clamp	6	
5	490B-23502	橡胶垫 Rubber gasket	6	
6	GB/T93-1987	弹簧垫圈 6 Spring washer 6	3	
7	GB/T6172-2000	六角螺母 M6 Nut M6	3	
8	NC485BZL-22000	P 系列喷油器 Fuel injector	4	
9	A490B-25100	喷油器回油管部件 Injector leak-off pipe	1	
10	NC485B-23101	第一缸高压油管 1st cylinder high pressure fuel tube	1	
11	NC485B-23201	第二缸高压油管 2nd cylinder high pressure fuel tube	1	
12	NC485B-23301	第三缸高压油管 3rd cylinder high pressure fuel tube	1	
13	NC485B-23401	第四缸高压油管 4th cylinder high pressure fuel tube	1	
14	490B-25200	滤清器至喷油泵进油管 部件 Fuel supply tube from fuel filter to injection pump	1	
15	490B-24000A	柴油滤清器 Fuel filter	1	
16	GB/T97·1-2002	平垫圈 8 Washer 8	2	
17	GB/T93-1987	弹簧垫圈 8 Spring washer 8	2	
18	GB/T5783-2000	六角头螺栓 M8×30 Bolt M8×30	2	
19	490B-25300	输油泵至滤清器进油管 部件 Fuel supply tube from supply pump to fuel filter	1	
20	490B-25401-1	输油泵进油接头 Fuel supply pump connector	1	
21	498B-25002	喷油器回油胶管 Sebific duct	3	
22	498B-25001	喷油器回油防漏帽 Leakproof cap	1	
23	498B-25004	环箍 Clamp	10	
24	JB/T982-1977	组合密封垫圈 14 Springle Washer	2	

# 润滑系统 Lubricating system



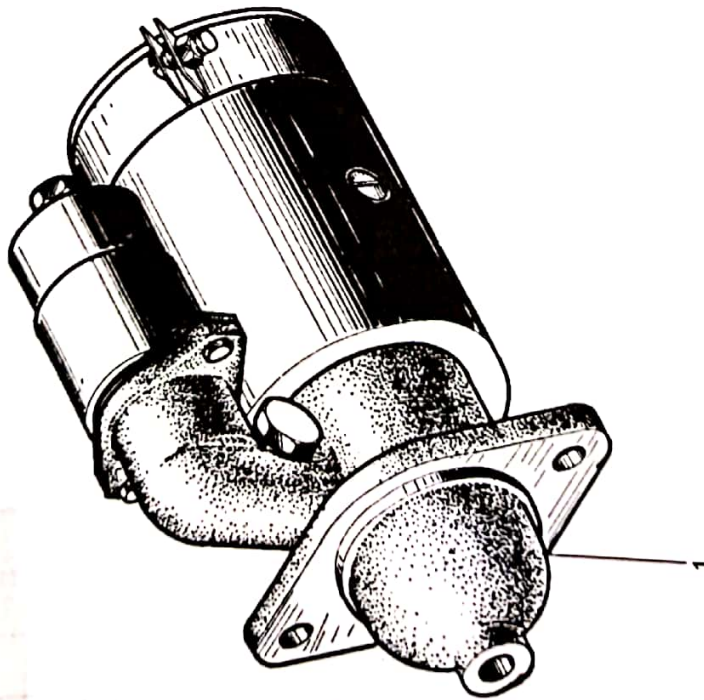
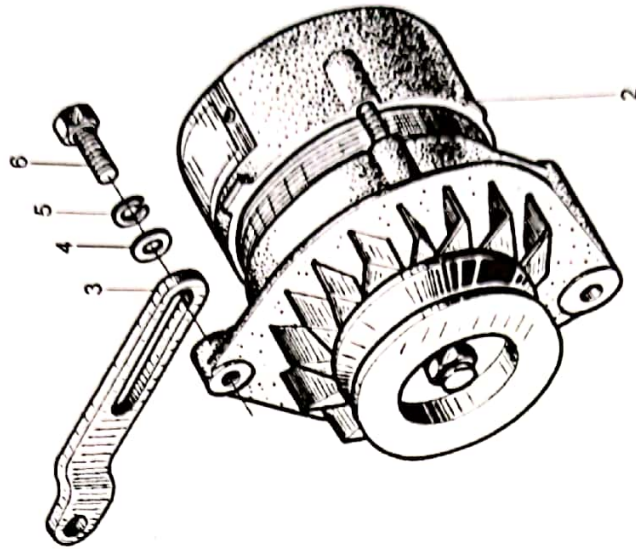
## 润滑系统 Lubricating system

序号 No.	代 号 Part No.	名 称 Name	数量 Q'ty	备注 Remarks
1	490B-32000	机油滤清器总成 JX0810 Oil filter JX0810	1	
2	NA485B-07200	机油标尺部件 Oil lever stick	1	
3	NA485B-07002	油底壳垫片 Oil sump gasket	1	
4	NA485B-07100-1	油底壳焊接部件 Oil sump	1	
5	GB/T97·1-1985	平垫圈 8-140HV Flat washer 8-140HV	26	
6	GB/T93-1987	弹簧垫圈 8 Spring washer 8	26	
7	GB/T5782-2000	六角头螺栓 M8×16 Bolt M8×16	26	
8	JB982-77	组合密封垫圈 20 Seal ring 20	1	
9	JB2343-79	六角头磁性螺塞 M20×1.5 Magnetic plug M20×1.5	1	
10	GB/T5782-2000	六角头螺栓 M6×55 Bolt M6×55	1	
11	NA385B-31006	限压阀塞 Pressure-limited valve	1	
12	GB/T93-1987	弹簧垫圈 6 Spring washer 6	5	
13	NA385B-31005	限压弹簧 Pressure-limited spring	1	
14	GB/T5783-2000	六角头螺栓 M6×30 Bolt M6×30	1	
15	GB/T308-1989	钢球 10 Steel ball 10	1	
16	GB/T6172-2000	六角薄螺母 M10 Thin nut M10	1	
17	GB/T859-1987	轻型弹簧垫圈 10 Spring washer 10	1	
18	GB/T848-1985	垫圈 10-140HV Washer 10-140HV	1	
19	GB/T1099-1979	半圆键 3×5×13 Wooddruff key 3×5×13	1	
20	NA385B-31007	机油泵齿轮 Oil pump gear	1	
21	GB/T5782-2000	六角头螺栓 M6×50 Bolt M6×50	3	
22	NA385B-31001	机油泵体 Oil pump housing	1	
23	NA385B-31101	机油泵轴 Shaft oil pump	1	
24	NA385B-31102	内转子 Inner rotor	1	

润滑系统 Lubricating system

序号 No.	代号 Part No.	名称 Name	数量 Q'ty	备注 Remarks
25	490B-31203	圆柱销 Pin	1	
26	NA385B-31004	外转子 Outer rotor	1	
27	NA385B-31002	机油泵盖 Oil pump cover	1	
28	NA385B-31003	机油泵垫片 Oil pump gasket	1	
29	GB/T119·1-2000	圆柱销 B4×12 Pin B4×12	2	
30	GB/T5783-2000	六角头螺栓 M8×16 Bolt M8×16	1	
31	GB/T93-1987	弹簧垫圈 8 Spring washer 8	1	
32	NB485B-35200-1	吸油管部件 Oil inlet pipe	1	
33	GB/T5782-2000	六角头螺栓 M6×40 Bolt M6×40	2	
34	GB/T93-1987	弹簧垫圈 6 Spring washer 6	2	
35	GB/T97·1-1985	平垫圈 6 Plain washer 6	2	
36	NB485B-35001	法兰垫片 Gasket	1	

电气系统 Electrical system



## 电气系统 Electrical system

序号 No.	代 号 Part No.	名 称 Name		数量 Q'ty	备 注 Remarks
1	490B-51000	起动电机总成	Starting motor assembly	1	
2	490B-52000	充电发电机总成	Charging generator	1	
3	NA385B-53001	撑杆	Bracket	1	
4	GB/T97.1-1985	平垫圈 8-140HV	Washer 8-140HV	1	
5	GB/T93-1987	弹簧垫圈 8	Spring washer 8	1	
6	GB/T5782-2000	六角头螺栓 M8×25	Bolt M8×25	1	