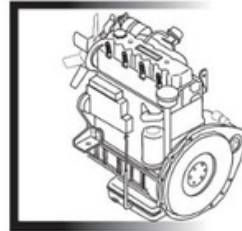


零件手册 PARTS MANUAL



C240PKJ-30
柴油机 [五十铃]
DIESEL ENGINE [ISUZU]

安徽合力股份有限公司
ANHUI HELI CO., LTD.

HELI Forklift Parts Manual

Forklift engine Isuzu C240PKJ-30 (1-44 page)

Forklift diesel engine Japan Isuzu C240PKJ-30 is popular applied for HELI IC forklifts, especially the forklifts are made for international market. Isuzu C240 (2400cc), 4-cylinder, 4-cycle, water-cooled, OHV indirect injected, 5-speed transmission.

The strength of our company is that we have the full range of forklift parts for HELI forklift, and many parts for JAC forklift, Hangcha forklift, the full range of China engines and parts for Xinchai, Quanchai, FAW, YTO, Zhaochai, forklift transmission parts, forklift axle parts, forklift brake parts, forklift hydraulic parts, forklift electric parts, forklift bearing, forklift mast, forklift filter, forklift seal, forklift tire and forklift rim etc. If you are interested in China brand forklift parts, please contact us for a better option!



Anhui Leading Forklift Parts Co., Ltd.
www.leadingforkliftparts.com
www.youtube.com/@leadingforkliftparts



目 录

CONTENTS

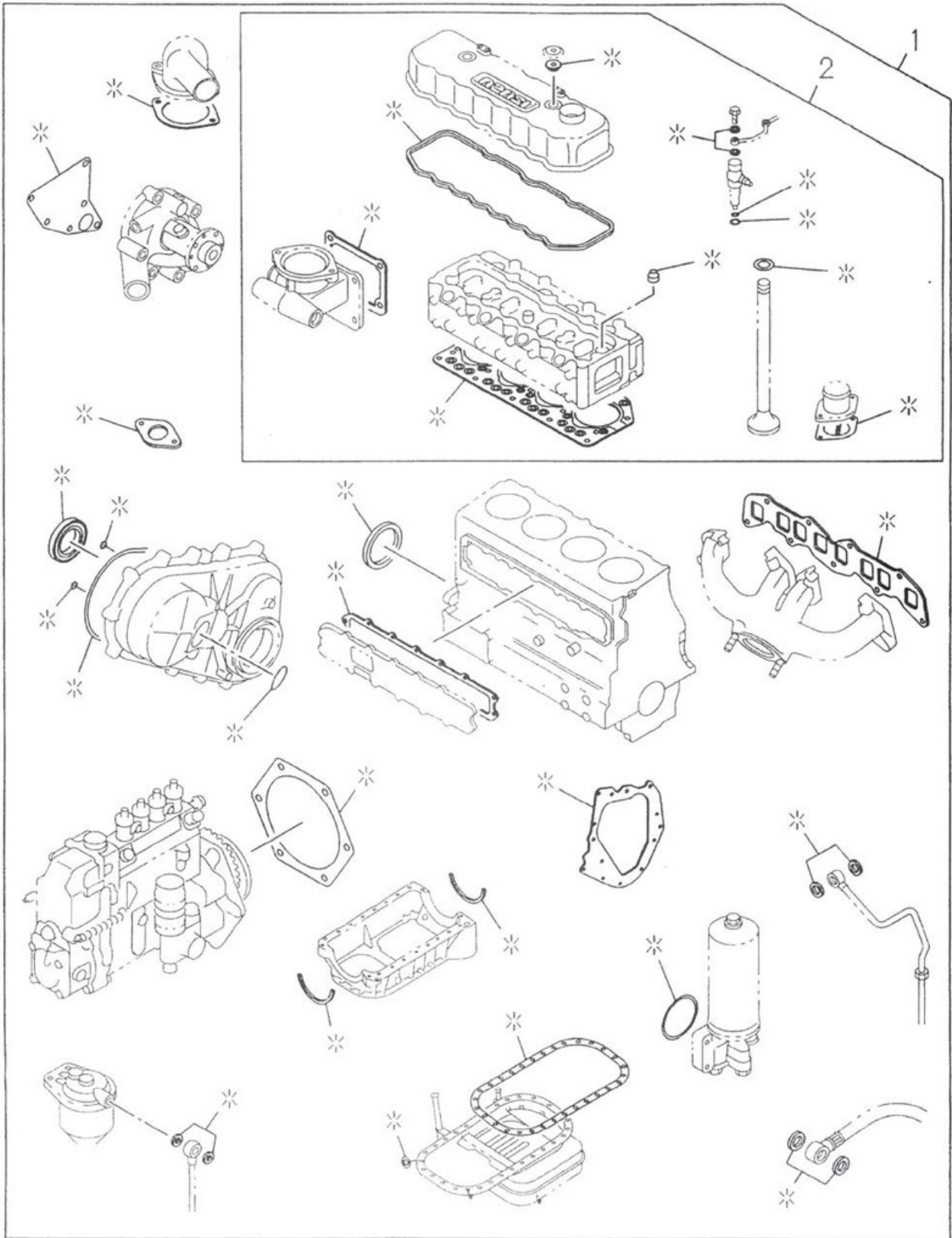
图0-05 发动机垫片组	1
FIG.0-05 ENGINE GASKET KIT	
图0-10 气缸头盖	3
FIG.0-10 CYLINDER HEAD COVER	
图0-11 气缸头	5
FIG.0-11 CYLINDER HEAD	
图0-12 气缸体	7
FIG.0-12 CYLINDER BLOCK	
图0-13 油池和油位计	13
FIG.0-13-OIL PAN AND LEVEL GAUGE	
图0-14 凸轮轴和阀	16
FIG.0-14 CAMSHAFT AND VALVE	
图0-15 曲轴,活塞和飞轮	19
FIG.0-15 CRANKSHAFT, PISTON AND FLYWHEEL	
图0-20 正时齿轮箱和飞轮壳	22
FIG.0-20 TIMING GEAR CASE AND FLYWHEEL HOUSING	
图0-22 发动机安装	29
FIG.0-22 ENGINE MOUNTING	
图0-25 进气歧管	31
FIG. 0-25 INLET MANIFOLD	
图0-27 排气歧管	33
FIG.0-27 EXHAUST MANIFOIL	
图0-28 通风系统	35
FIG.0-28 VENTILATION SYSTEM	
图0-30 水泵和防腐装置	37
FIG.0-30 WATER PUMP AND CORROSION RESISTOR	
图0-31 节温器和壳体	39
FIG.0-31 THERMOSTAT AND HOUSING	
图0-32 发动机水管	41
FIG.0-32 WATER PIPING; ENGINE	
图0-33 风扇和风扇皮带	43
FIG.0-33 FAN AND FAN BELT	
图0-40 燃油喷射系统	45
FIG.0-40 FUEL INJECTION SYSTEM	
图0-42 燃油泵和管子	50
FIG.0-42 FUEL PUMP AND PIPE	
图0-50 油冷却器和油过滤器	52
FIG.50 OIL COOLER AND OIL FILTER	
图0-51 油泵和油滤网	56
FIG.0-51 OIL PUMP AND OIL STRAINER	
图0-52 发动机油管和真空管	58
FIG.0-52 OIL AND VACUUM PIPING; ENGINE	



图0-60 发动机电气控制部件	61
FIG .0-60 ENGINE ELECTRICAL CONTROL PARTS	
图0-65 起动机	63
FIG.0-65 STARTER	
图0-66 发电机	65
FIG.0-66 GENERATOR	
图0-80 喷油泵	67
FIG.0-80 INJECTION PUMP	
图0-81 喷油泵调速器	76
FIG.0-81 GOVERNOR; INJECTION PUMP	
图0-84 喷油泵给油泵	86
FIG.0-84 FEED PUMP; INJECTION PUMP	
图0-85 喷油泵自动定时器	88
FIG.0-85 AUTO TIMER; INJECTION PUMP	
图0-86 喷油泵混杂部分	91
FIG.0-86 MISCELLANEOUS PARTS; INJECTION PUMP	
图1-45 油水分离器	93
FIG.1-45 WATER SEDIMENTER; FUEL	
图8-25 仪表板开关和继电器	94
FIG.8-25 SWITCH AND RELAY; INSTRUMENT PANEL	



图0-05 发动机垫片组
 FIG.0-05 ENGINE GASKET KIT



005A0150873



图0-05 发动机垫片组

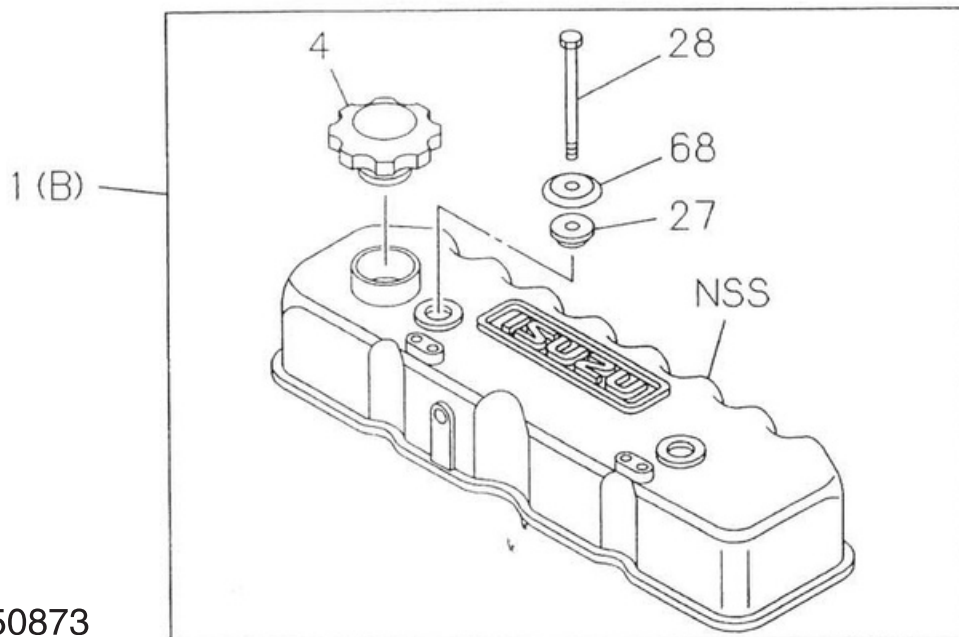
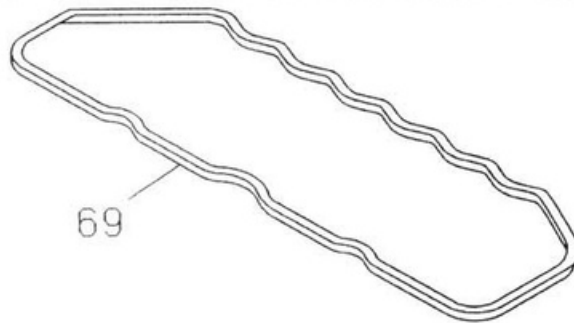
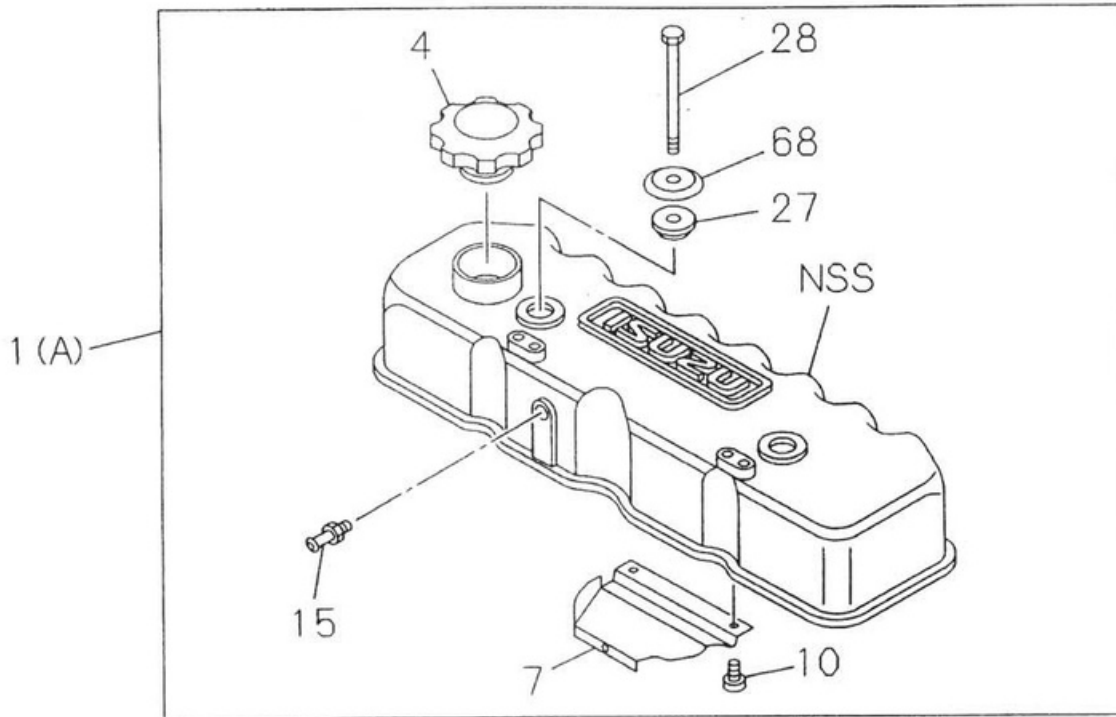
FIG.0-05 ENGINE GASKET KIT

件号 Key No.	部 件 号 Part No.	部 件 名 称 Part Name	数量 Q'ty	备 注 Remarks
1	587813-9901	垫片组, 发动机大修 GASKET SET; ENG OVERHAUL	1	
2	587813-9910	垫片组, 发动机头大修 GASKET SET; ENG HD OVERHAUL	1	



图0-10 气缸头盖

FIG.0-10 CYLINDER HEAD COVER



010A0150873



图0-10 气缸头盖

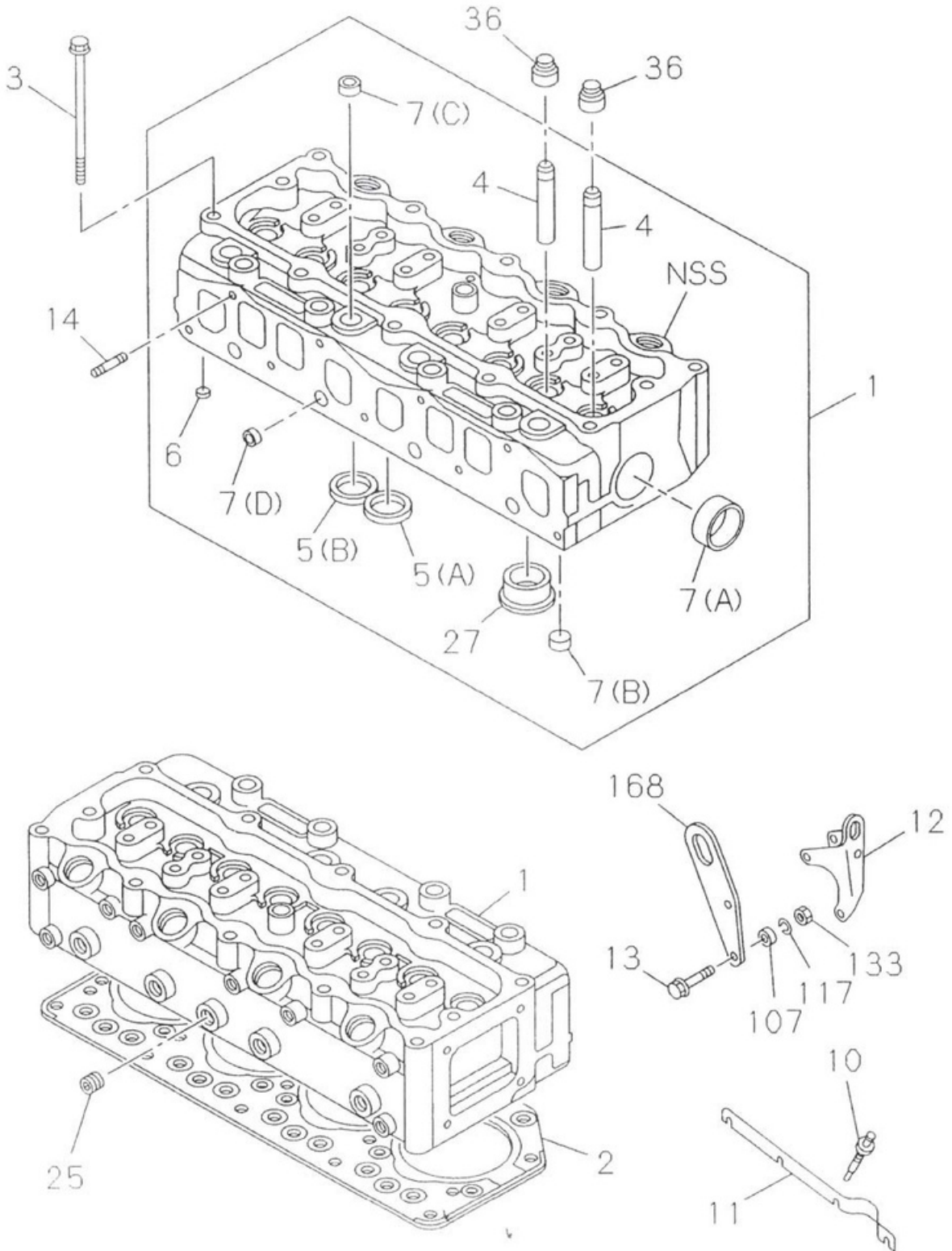
FIG.0-10 CYLINDER HEAD COVER

件号 Key No.	部 件 号 Part No.	部 件 名 称 Part Name	数量 Q'ty	备 注 Remarks
1(A)	511170-2401	盖, 气缸头 COVER; CYL HD	1	
4	911751-0381	盖, 油滤器 CAP; OIL FILLER	1	
7	511179-0460	板, 呼吸器, 缸头盖 PLATER; BREATHER, HD COVER	1	
10	906520-4120	铆钉, 板, 呼吸器 RIVET; PLATE, BREATHER	1	
15	511179-0520	接头, 呼吸器 NIPPLE; BREATHER	1	
27	911179-8080	垫片, 缸头盖(也包括在发动机和缸头的垫片组中) GASKET; HD COVER ALSO INCLUDED IN GASKET SET(ENG& HEAD)	2	
28	509000-0961	螺栓, 缸头盖 BOLT; HD COVER	2	
68	911179-1320	垫圈, 螺帽, 缸头盖 WASHER; CAP NUT, HD COVER	2	
69	894447-5701	垫片, 缸头与缸盖之间 (也包括在发动机和缸头的垫片组中) GASKET; HD TO COVER ALSO INCLUDED IN GASKET SET(ENG & HEAD)	1	



图0-11气缸头

FIG.0-11 CYLINDER HEAD



011A0150873



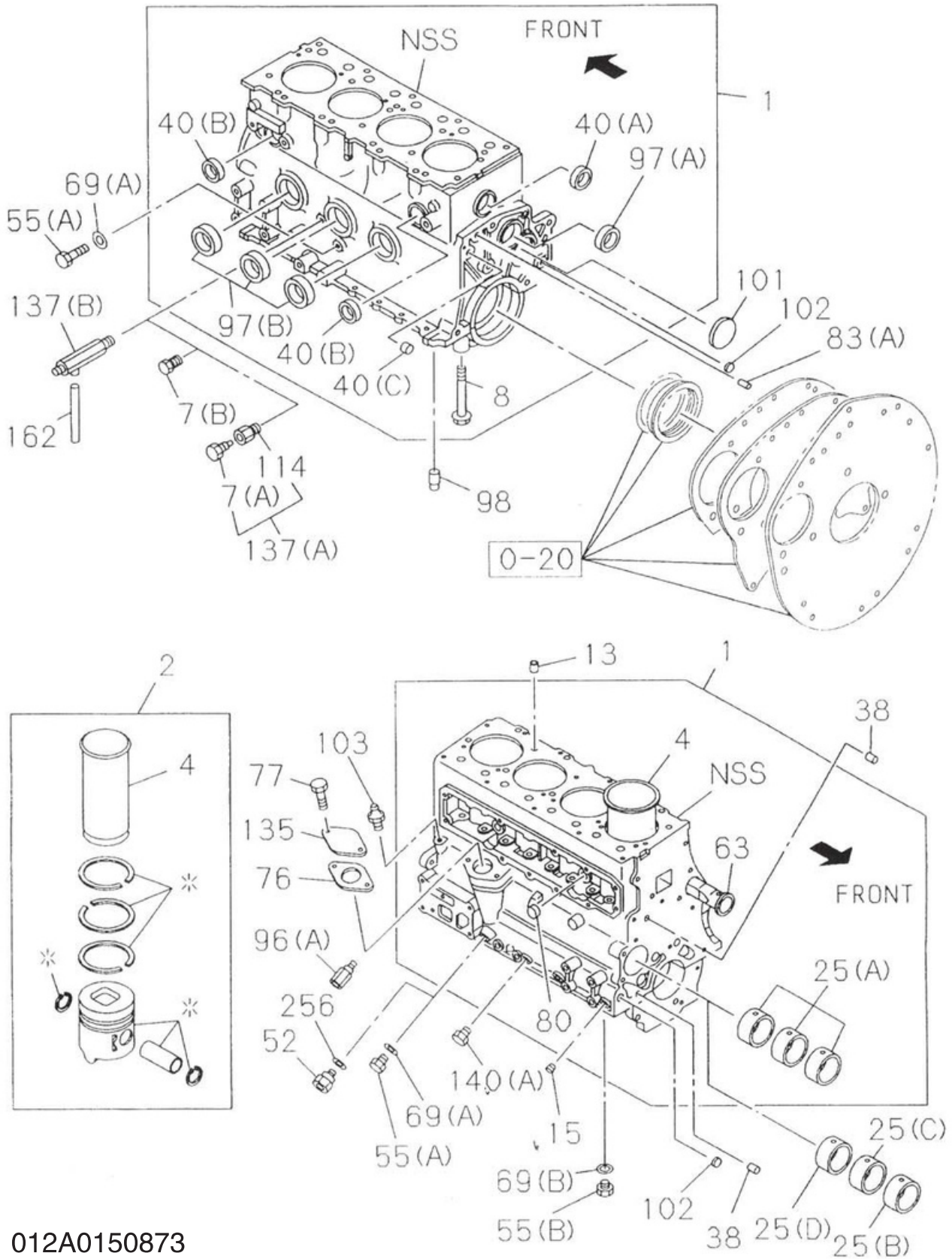
图0-11气缸头

FIG.0-11 CYLINDER HEAD

件号 Key No.	部 件 号 Part No.	部 件 名 称 Part Name	数量 Q'ty	备 注 Remarks
1	511110-2072	气缸头总成 HEAD ASM; CYL	1	
2	897018-9362	垫片, 气缸头 (也包括在发动机和缸头的垫片组中) GASKET; CYL HD ALSO INCLUDED IN GASKET SET(ENG & HEAD)	1	
3	894247-3551	螺栓, 气缸头与气缸体之间 BOLT; CYL HD TO BLOCK	19	M11 × 122
4	511721-0160	导向阀 GUIDE; VLV	8	
5(A)	511715-0230	阀座 SEAT; VLV INSERT	4	进气 INLET
5(B)	511711-0260	阀座 SEAT; VLV INSERT	4	排气 EXHAUST
6	909860-5220	螺塞, 板 PLUG; PLATE	4	OD=11.9
7(A)	897351-4510	密封盖, 气缸头 CUP; SEALING, CYL HEAD	1	OD=45
7(B)	511129-0060	密封盖, 气缸头 CUP; SEALING, CYL HEAD	4	OD=16
7(C)	511219-0080	密封盖, 气缸头 CUP; SEALING, CYL HEAD	5	OD=18
7(D)	509600-0130	密封盖, 气缸头 CUP; SEALING, CYL HEAD	4	OD=12.3
10	894319-7004	点火塞 PLUG; GLOW	4	
11	919732-6100	接头, 点火塞 CONNECTOR; GLOW PLUG	1	
12	911777-1360	发动机后悬架 HANGER; ENG, RR	1	
14	041010-8350	双头螺柱, 排气歧管 STUD, EXH MANIF	3	M8 × 35 L=47
	041010-8400	双头螺柱, 排气歧管 STUD, EXH MANIF	3	M8 × 40 L=52
	041010-8450	双头螺柱, 排气歧管 STUD, EXH MANIF	1	M8 × 45 L=57
25	509605-0050	螺塞, 气缸头 PLUG; CYL HD	1	PT3/8
36	897120-3070	油封, 导向阀 (也包括在发动机和缸头的垫片组中) SEAL; OIL, VLV GUIDE ALSO INCLUDED IN GASKET SET(ENG-HEAD)	8	
107	914149-1730	垫块 PIECE; DIST HANGER	2	T=5
168	511777-0540	发动机前悬架 HANGER; ENG, FRT	1	



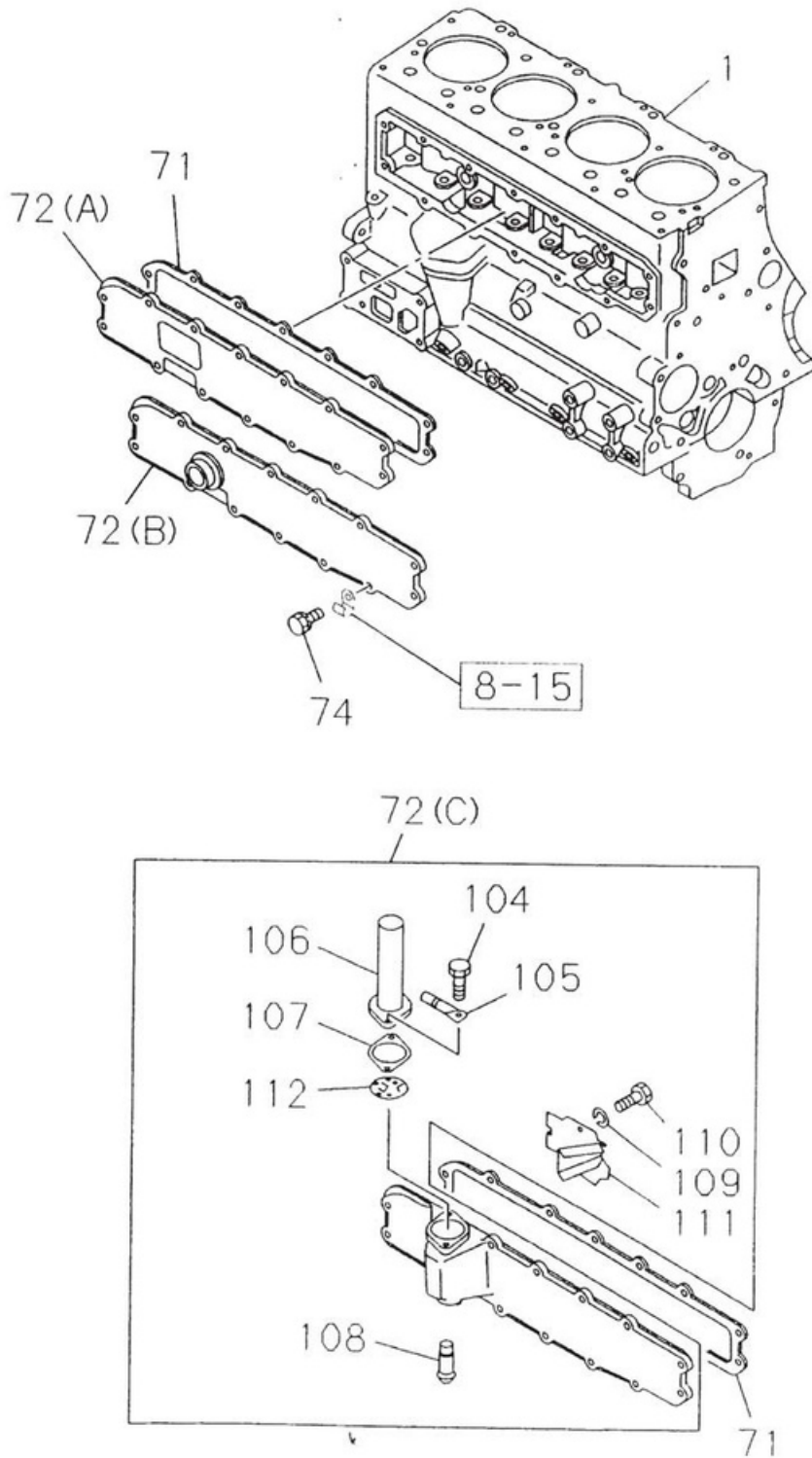
图0-12 气缸体(No.1)
 FIG.0-12 CYLINDER BLOCK



012A0150873



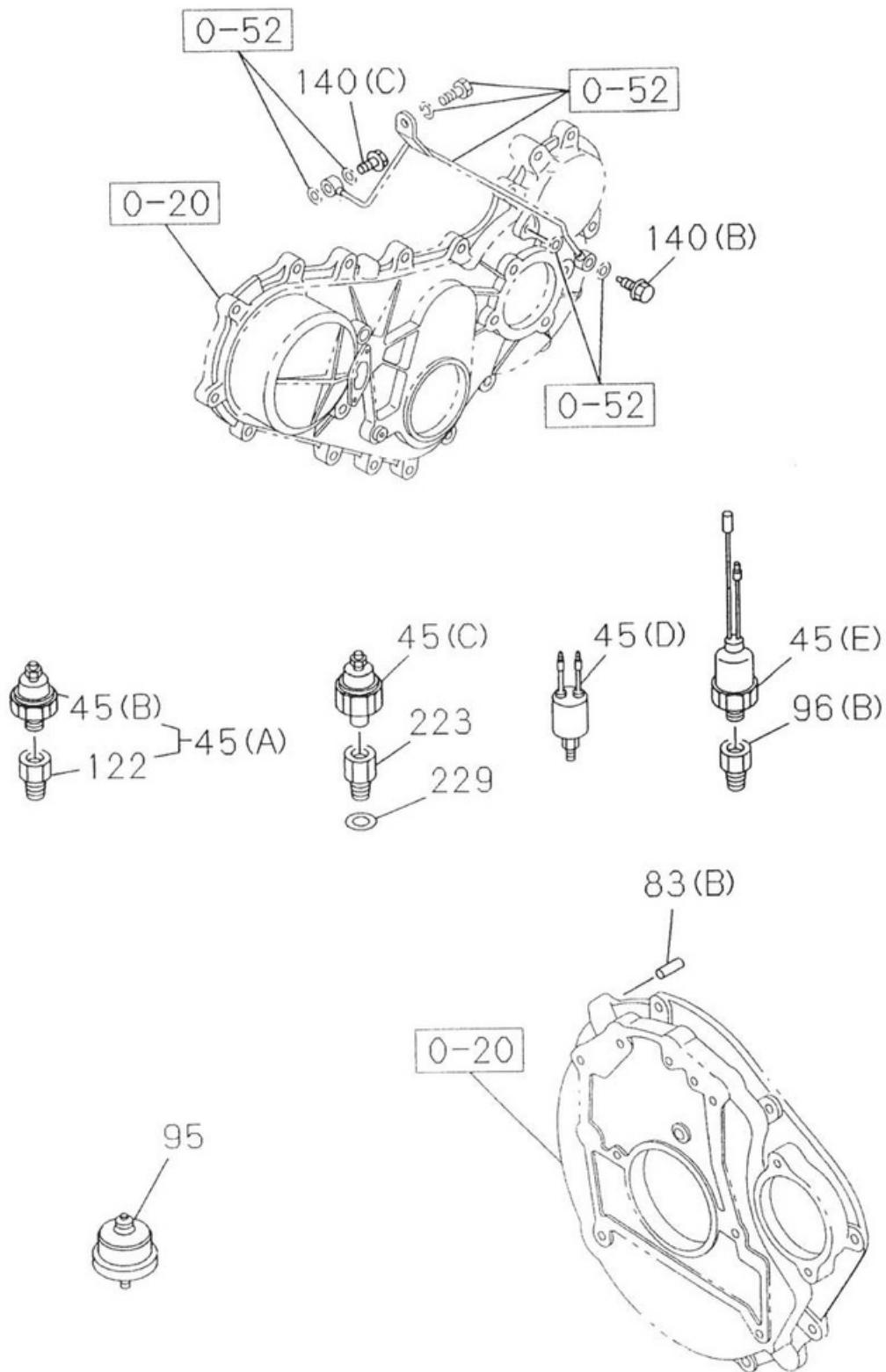
图0-12 气缸体(No.2)
FIG.0-12 CYLINDER BLOCK



012A0250873



图0-12 气缸体(No.3)
 FIG.0-12 CYLINDER BLOCK



012A0350873



图0-12 气缸体

FIG.0-12 CYLINDER BLOCK

件号 Key No.	部 件 号 Part No.	部 件 名 称 Part Name	数量 Q'ty	备 注 Remarks
1	511210-1774	气缸体总成 BLOCK ASM; CYL	1	
2	587814-5850	衬垫组, 发动机气缸 LINER SET; ENG CYL	4	GRADE=1
	587814-5860	衬垫组, 发动机气缸 LINER SET; ENG CYL	4	GRADE=2
	587814-5870	衬垫组, 发动机气缸 LINER SET; ENG CYL	4	GRADE=3
	587814-5880	衬垫组, 发动机气缸 LINER SET; ENG CYL	4	GRADE=4
4	897176-8960	衬垫, 气缸体(也包括在衬垫组中) LINER; C/BL(ALSO INCLUDED IN LINER SET)	4	OD GRD=1 ID GRD=AX
	897176-8970	衬垫, 气缸体(也包括在衬垫组中) LINER; C/BL(ALSO INCLUDED IN LINER SET)	4	OD GRD=1 ID GRD=CX
	897176-8980	衬垫, 气缸体(也包括在衬垫组中) LINER; C/BL(ALSO INCLUDED IN LINER SET)	4	OD GRD=2 ID GRD=AX
	897176-8990	衬垫, 气缸体(也包括在衬垫组中) LINER; C/BL(ALSO INCLUDED IN LINER SET)	4	OD GRD=2 ID GRD=CX
	897176-9000	衬垫, 气缸体(也包括在衬垫组中) LINER; C/BL(ALSO INCLUDED IN LINER SET)	4	OD GRD=3 ID GRD=AX
	897176-9010	衬垫, 气缸体(也包括在衬垫组中) LINER; C/BL(ALSO INCLUDED IN LINER SET)	4	OD GRD=3 ID GRD=CX
	897176-9020	衬垫, 气缸体(也包括在衬垫组中) LINER; C/BL(ALSO INCLUDED IN LINER SET)	4	OD GRD=4 ID GRD=AX
	897176-9030	衬垫, 气缸体(也包括在衬垫组中) LINER; C/BL(ALSO INCLUDED IN LINER SET)	4	OD GRD=4 ID GRD=CX
7(B)	909664-0010	螺塞, 排水 PLUG; WATER DRAIN	1	PT1/4
8	909802-5910	螺栓 BOLT; BRG CAP	10	
13	894453-3440	销, 气缸体与气缸头之间 DOWEL; C/BL TO HD	2	
15	109605-0500	螺塞, 油槽 PLUG; OIL GALLERY	1	PT1/8
25(A)	511610-0020	衬套, 凸轮轴 METAL; CM/SHF	1	STD
25(B)	511631-0080	衬套, 凸轮轴 METAL; CM/SHF	1	UNSI=0.25 FRT
25(C)	511631-0090	衬套, 凸轮轴 METAL; CM/SHF	1	UNSI=0.25 CRT
25(D)	511613-0010	衬套, 凸轮轴 METAL; CM/SHF	1	UNSI=0.25 RR



图0-12 气缸体

FIG.0-12 CYLINDER BLOCK

件号 Key No.	部 件 号 Part No.	部 件 名 称 Part Name	数量 Q'ty	备 注 Remarks
25(B)	511641-0080	衬套, 凸轮轴 METAL; CM/SHF	1	UNSI=0.50 FRT
25(C)	511641-0090	衬套, 凸轮轴 METAL; CM/SHF	1	UNSI=0.50 CRT
25(D)	511643-0010	衬套, 凸轮轴 METAL; CM/SHF	1	UNSI=0.50 RR
38	908151-0400	销, 正时齿轮箱 PIN; TIMING GEAR CASE	2	
40(A)	511219-0180	密封碗 CUP; SEALING, C/BL RR	1	OD=36
40(B)	511219-0150	密封碗 CUP; SEALING, C/BL RR	2	OD=32
40(C)	509600-0130	密封碗 CUP; SEALING, C/BL RR	1	OD=12.3
55(A)	999202-3140	螺塞, 油槽 PLUG; OIL GALLERY	1	M14 × 9
63	894155-8152	水管 DUCT; WATER, C/BL	1	
69(A)	909571-4140	垫片, 螺塞, 油槽 GASKET; PLUG, OIL GALLERY, C/BL	1	ID=14.2
71	897045-3281	垫片, 缸盖和缸体之间 (也包括在发动机垫片组中) GASKET; COVER TO C/BL ALSO INCLUDED IN GASKET SET(ENGINE)	1	
72(B)	897127-0490	盖, 凸轮室 COVER; TAPPET CHAMBER	1	
74	028050-8200	螺栓, 连接缸盖和缸体 BOLT; COVER TO C/BL	2	M8 × 20 FLANGE
	028650-8200	螺栓, 连接缸盖和缸体 BOLT; COVER TO C/BL	12	M8 × 20 FLANGE
76	897113-7421	垫片, 缸盖和缸体之间 (也包括在发动机垫片组中) GASKET; COVER TO C/BL ALSO INCLUDED IN GASKET SET(ENGINE)	1	
77	028650-8200	螺栓, 连接缸盖和缸体 BOLT; COVER TO C/BL	2	M8 × 20 FLANGE
80	511219-0080	密封碗, 凸轮室 CUP; SEALING, TAPPET CHAMBER	2	OD=18
83(A)	908161-0320	销, 飞轮壳 PIN; FLYWHEEL HSG	1	OD=10 L=32
97(A)	511219-0170	密封碗 CUP; SEALING	1	OD=38



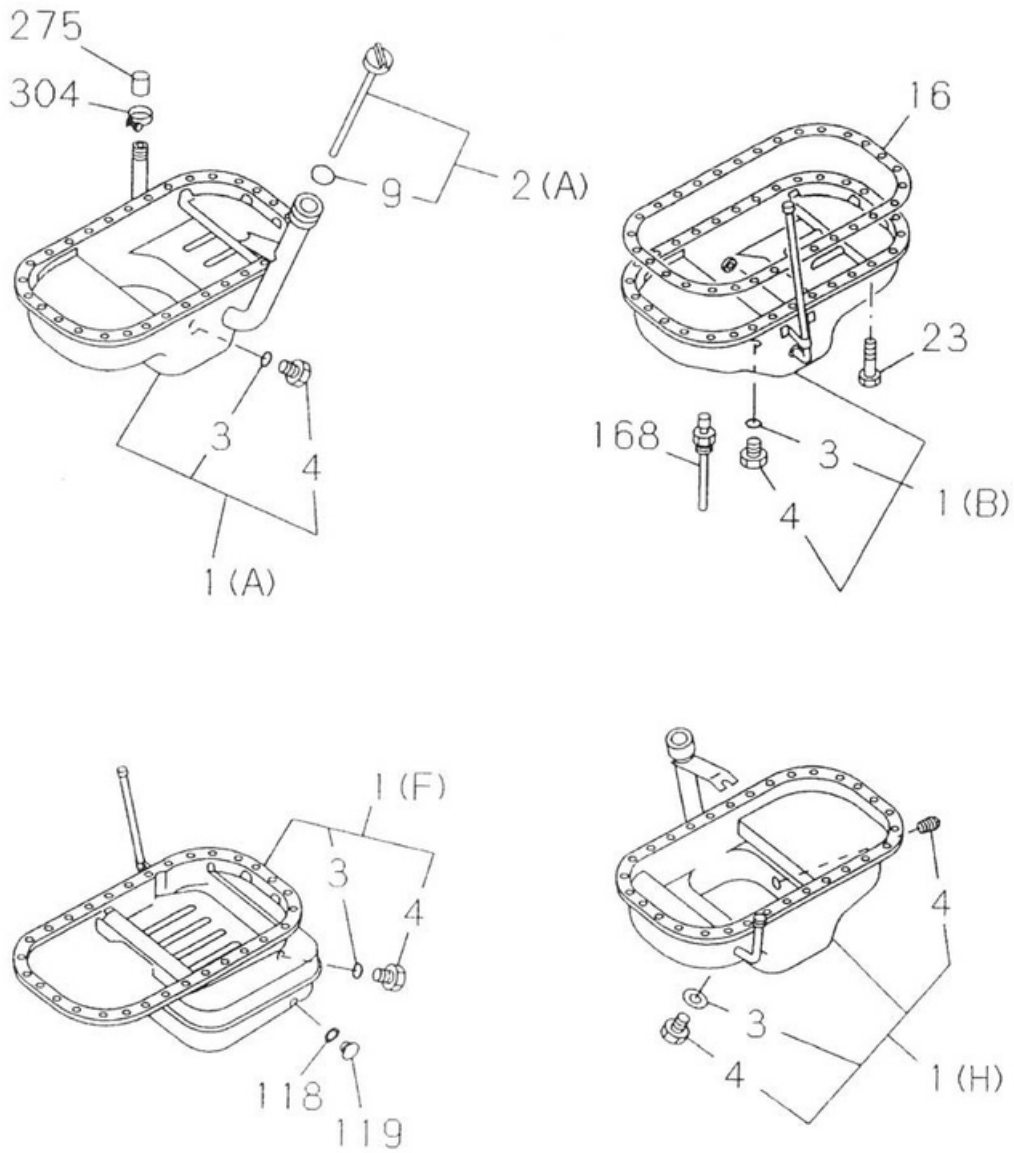
图0-12 气缸体

FIG.0-12 CYLINDER BLOCK

件号 Key No.	部 件 号 Part No.	部 件 名 称 Part Name	数量 Q'ty	备 注 Remarks
97(B)	897036-5501	密封碗 CUP; SEALING	3	OD=45
98	909878-5970	销, 连接缸体和曲轴箱 PIN; C/BL TO CRANKCASE	2	
101	894250-5141	密封碗, 凸轮端 CUP; SEALING CAM END	1	OD=56
102	511129-0060	密封碗, 油槽 CUP; SEALING OIL GALLERY	2	OD=16
103	909902-2990	接头, 进油 NIPPLE; OIL FEED	1	
122	909902-2380	适配器, 油压开关 ADAPTER; OIL PRESSURE SWITCH	1	
135	911219-0930	盖, 油泵 COVER; OIL PUMP	1	
140(B)	509675-0321	接头, 喷油泵 NIPPLE; INJ PUMP	1	M8 × 23 FLANGE
140(C)	509675-0181	接头, 喷油泵 NIPPLE; INJ PUMP	1	M8 × 20 FLANGE



图0-13 油池和油位计(No.1)
 FIG.0-13-OIL PAN AND LEVEL GAUGE

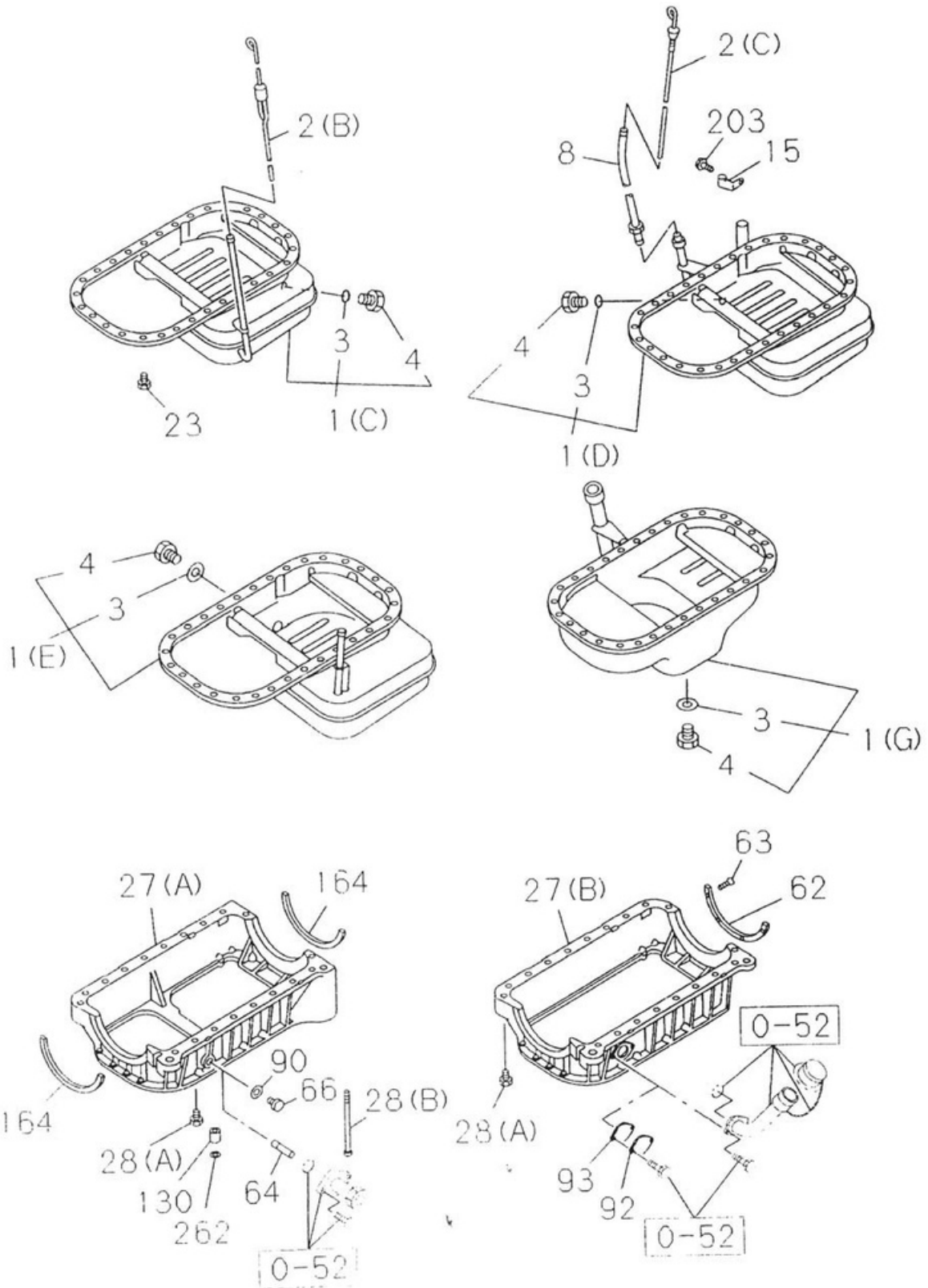


013A0150873



图0-13 油池和油位计(No.2)

FIG.0-13-OIL PAN AND LEVEL GAUGE



013A0250873



图0-13 油池和油位计

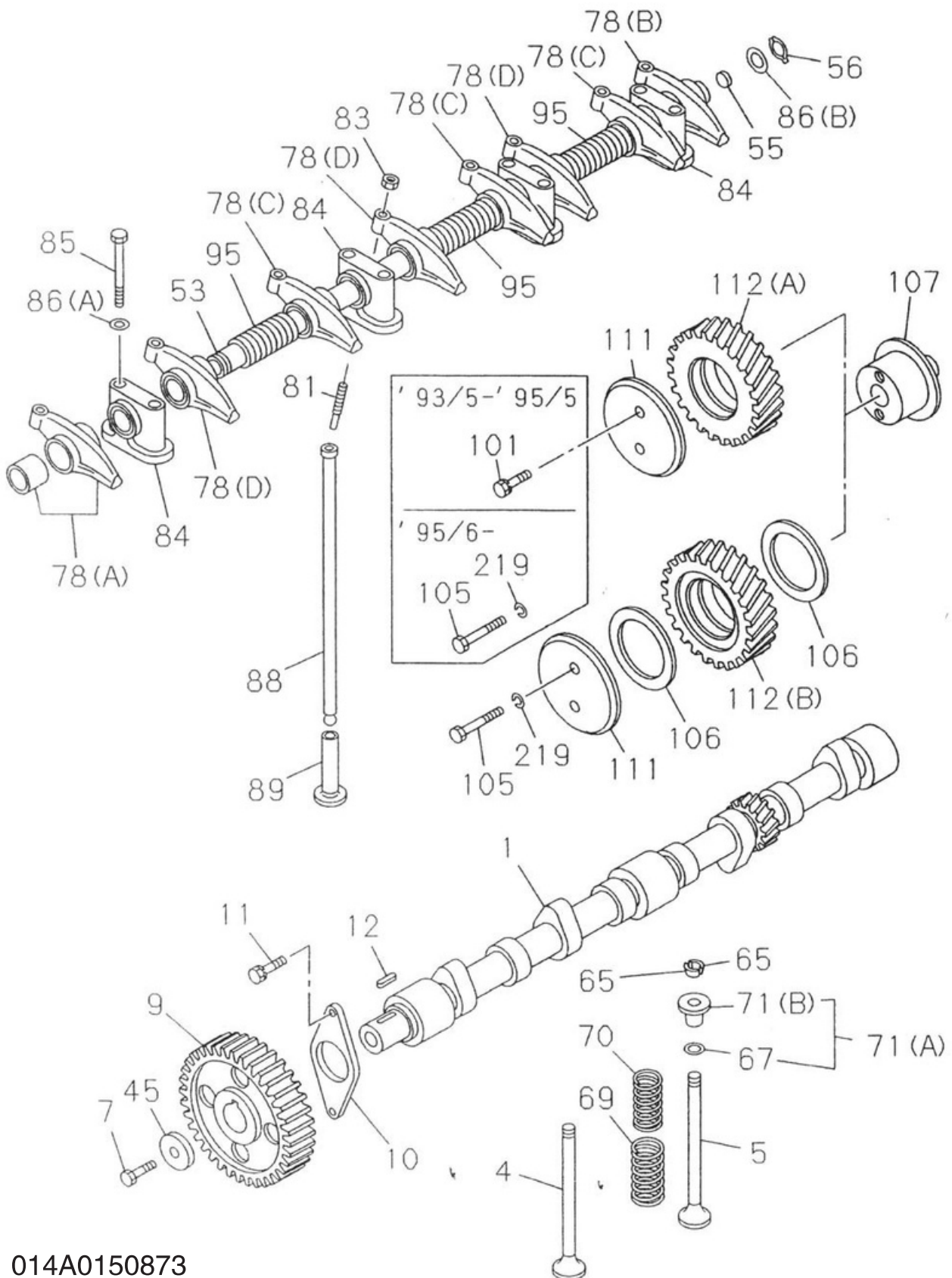
FIG.0-13-OIL PAN AND LEVEL GAUGE

件号 Key No.	部 件 号 Part No.	部 件 名 称 Part Name	数量 Q'ty	备 注 Remarks
1(F)	511360-0722	油池总成 PAN ASM; OIL	1	
2(B)	511760-1470	油位计 GAUGE; OIL LEVEL	1	
3	109623-0570	垫片, 放油塞 (也包括在发动机垫片组中) GASKET; DRAIN PLUG ALSO INCLUDED IN GASKET SET(ENGINE)	1	
4	909662-0120	放油塞 PLUG;DRAIN, OIL	1	
16	897045-3220	垫片, 油池与缸体之间 (也包括在发动机垫片组中) GASKET; OIL PAN TO C/BL ALSO INCLUDED IN GASKET SET(ENGINE)	1	
23	050540-6160	螺栓, 油池 BOLT; OIL PAN	30	
	897015-5151	螺栓, 油池 BOLT; OIL PAN	2	
27(A)	894470-5482	曲轴箱 CRANKCASE	1	
28(A)	028650-8250	螺栓, 连接曲轴箱和气缸体 BOLT; CRANKCASE TO C/BL	7	M6 × 16 W/LK WASHER
	028050-8300	螺栓, 连接曲轴箱和气缸体 BOLT; CRANKCASE TO C/BL	7	M8 × 119 W/LK WASHER
28(B)	109044-0751	螺栓, 连接曲轴箱和气缸体 BOLT; CRANKCASE TO C/BL	4	
118	909571-4160	垫片 GASKET; PLUG, OIL HTR	1	M8 × 25 FLANGE
119	092002-4160	螺塞 PLUG; OIL HTR BLIND	1	M8 × 30 FLANGE
164	911258-1080	垫片 GASKET; OIL PAN TO BRG CAP	2	M8 × 95 FLANGE ID=16.3
				M16 × 12



图0-14 凸轮轴和阀

FIG.0-14 CAMSHAFT AND VALVE



014A0150873



图0-14 凸轮轴和阀

FIG.0-14 CAMSHAFT AND VALVE

件号 Key No.	部 件 号 Part No.	部 件 名 称 Part Name	数量 Q'ty	备 注 Remarks
1	512511-0784	凸轮轴 CAMSHAFT	1	
4	512551-0282	进气阀 VALVE; INL	4	
5	512552-0342	排气阀 VALVE; EXH	4	
7	509000-0690	螺栓, 凸轮轴齿轮 BOLT; CM/SHF GEAR	1	M12 × 47
9	912522-1441	齿轮, 凸轮轴 GEAR; CM/SHF	1	Z=42
10	911681-0101	板, 止推 PLATE; THRUST	1	
11	050540-8160	螺栓, 连接止推板和气缸体 BOLT; THRUST PLATE TO C/BL	2	M8 × 16 W/LK WASHER
12	908000-7180	键, 凸轮组 KEY; CAM GEAR SET	1	
45	512519-0021	垫圈, 凸轮 WASHER; GEAR CAM	1	
53	897307-6740	摇臂轴 SHAFT; ROCKER ARM	1	
55	912626-0050	螺塞, 摇臂轴端 PLUG;ROCKER SHAFT END	2	
56	909180-0190	挡圈, 摇臂 RING; SNAP, ROCKER ARM	2	
65	512565-0040	挡环 COLLAR; SPLIT	16	
69	912561-0370	阀弹簧 SPRING; VLV, OUTER	8	
71(B)	897167-2652	弹簧座 SEAT; SPR	8	
78(A)	512611-0201	摇臂 ARM;ROCKER	1	
78(B)	512611-0221	摇臂 ARM;ROCKER	1	
78(C)	912611-3470	摇臂 ARM;ROCKER	3	
78(D)	912611-3490	摇臂 ARM;ROCKER	3	
81	894152-2831	调节螺钉, 摇臂 SCREW; ADJ, ROCKER ARM	8	M8 × 30
83	091111-5080	螺母, 调节螺钉 NUT; ADJ SCREW, LK	8	M8



图0-14 凸轮轴和阀

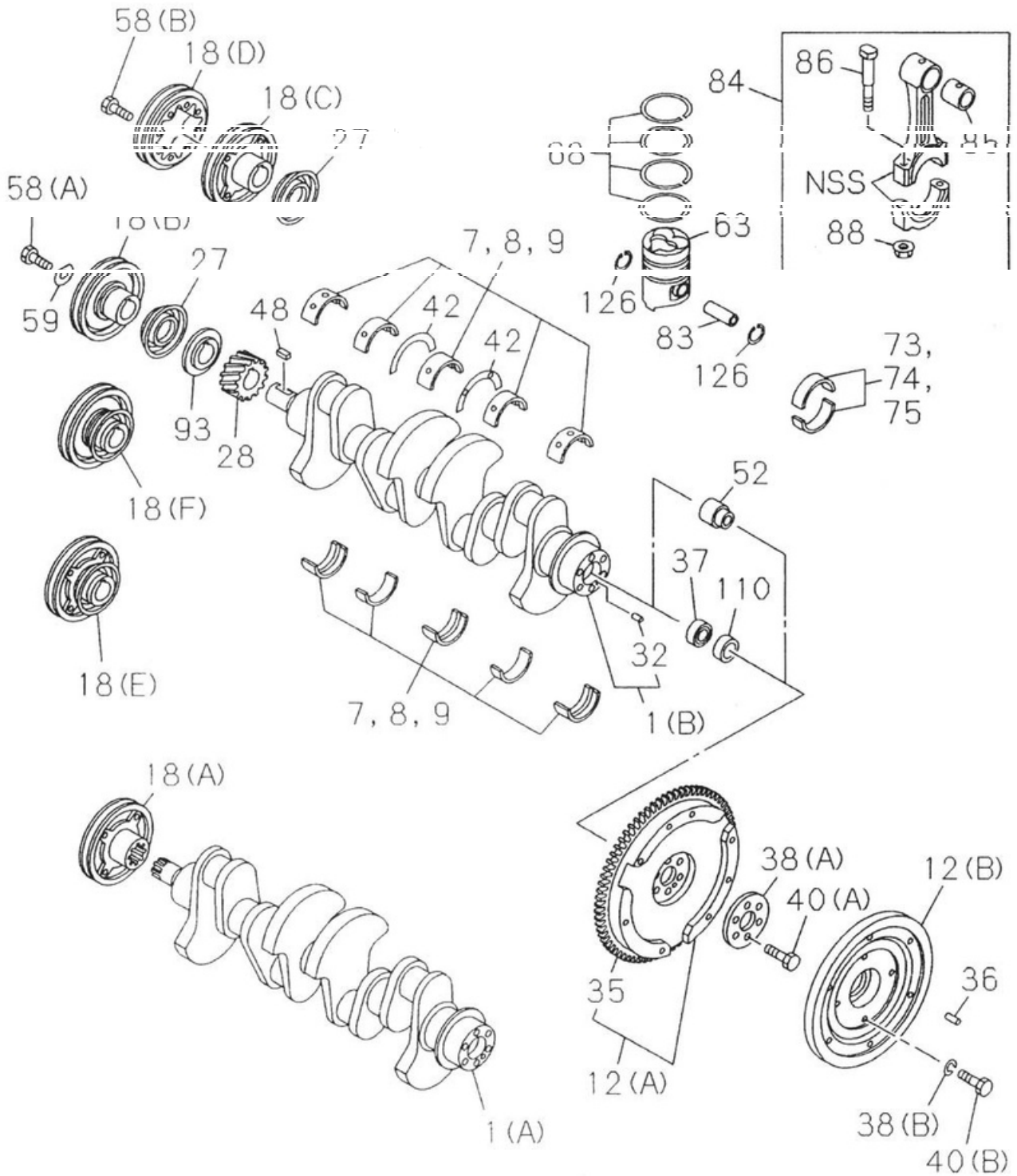
FIG.0-14 CAMSHAFT AND VALVE

件号 Key No.	部 件 号 Part No.	部 件 名 称 Part Name	数量 Q'ty	备 注 Remarks
84	912628-0930	支架, 摇臂轴 BRACKET; ROCKER SHAFT, INTER	4	
85	028050-8450	螺栓 BOLT; BRKT	8	M8 × 45 FLANGE
86(B)	909851-9310	垫圈 WASHER; ROCKER ARM FIX	2	
88	512575-0160	推杆 ROD; PUSH	8	
89	912571-8011	挺杆, 阀 TAPPER; VLV	8	
95	909940-6070	弹簧, 摇臂轴 SPRING; ROCKER SHAFT	3	
105	901065-8550	螺栓, 怠速齿轮轴 BOLT; IDLE GEAR SHAFT	2	M8 × 55
106	509503-0820	垫圈 WASHER; IDLE GEAR SHAFT	2	
107	912531-0241	怠速齿轮轴 SHAFT; IDLE GEAR	1	
111	512535-0051	挡环 COLLAR; THRUST, IDLE GEAR	1	
112(B)	512523-0231	怠速齿轮 GEAR; IDLE	1	Z=31
219	091510-8080	垫圈 WASHER; LK, SHAFT	2	ID=8.2



图0-15 曲轴,活塞和飞轮

FIG.0-15 CRANKSHAFT, PISTON AND FLYWHEEL



015A0150873



图0-15 曲轴,活塞和飞轮

FIG.0-15 CRANKSHAFT, PISTON AND FLYWHEEL

件号 Key No.	部 件 号 Part No.	部 件 名 称 Part Name	数量 Q'ty	备 注 Remarks
1(B)	894139-6690	曲轴 CRANKSHAFT	1	
7	511510-0211	轴瓦组, 曲轴, 标准 METAL KIT; CRANKSHAFT, STANDARD	1	
8	511530-0211	轴瓦组, 曲轴 U/S=0.25 METAL KIT; CRANKSHAFT, U/S=0.25	1	
9	511540-0211	轴瓦组, 曲轴 U/S=0.50 METAL KIT; CRANKSHAFT, U/S=0.50	1	
12(A)	512330-1163	飞轮 FLYWHEEL	1	
18(B)	912373-6052	皮带轮, 曲轴 PULLEY; CR/SHF	1	D=139
27	912373-6060	防尘圈 THROWER; DUST	1	
28	512521-0250	齿轮, 曲轴 GEAR; CR/SHF	1	Z=21
32	908161-2200	销, 飞轮 PIN; FLYWHEEL	1	OD=12 L=20
35	912333-6051	齿圈 GEAR; RING	1	Z=126 T=12.0
36	908150-6160	销, 飞轮 PIN; FLYWHEEL	2	
37	897175-2640	导轴承, 最上层齿轮轴 BEARING; PILOT, TOP GEAR SHAFT	1	
38(A)	512336-0101	垫圈, 飞轮 WASHER; FLYWHEEL	1	
40(A)	897065-9841	螺栓, 飞轮 BOLT; FLYWHEEL	6	M13 × 36
42	897383-7400	止推垫圈, 曲轴 WASHER; THRUST, CR/SHF	2	
48	908030-7430	半圆键, 曲轴 KEY; WOODRUFF, CR/SHF	1	
58(A)	894340-5970	螺栓, 曲轴皮带轮 BOLT; CR/SHF PULLEY	1	
63	897176-8640	活塞(也包括在衬垫组中) PISTON (ALSO INCLUDED IN LINER SET)	4	GRADE=AX
	897176-8650	活塞 PISTON	4	GRADE=CX
68	894471-4420	活塞环组, 标准(也包括在衬垫组中) RING SET; PISTON, STANDARD ALSO INCLUDED IN LINER SET	4	
73	894142-2080	轴衬组, 连杆, 标准 METAL SET; CONN ROD, STANDARD	4	



图0-15 曲轴,活塞和飞轮

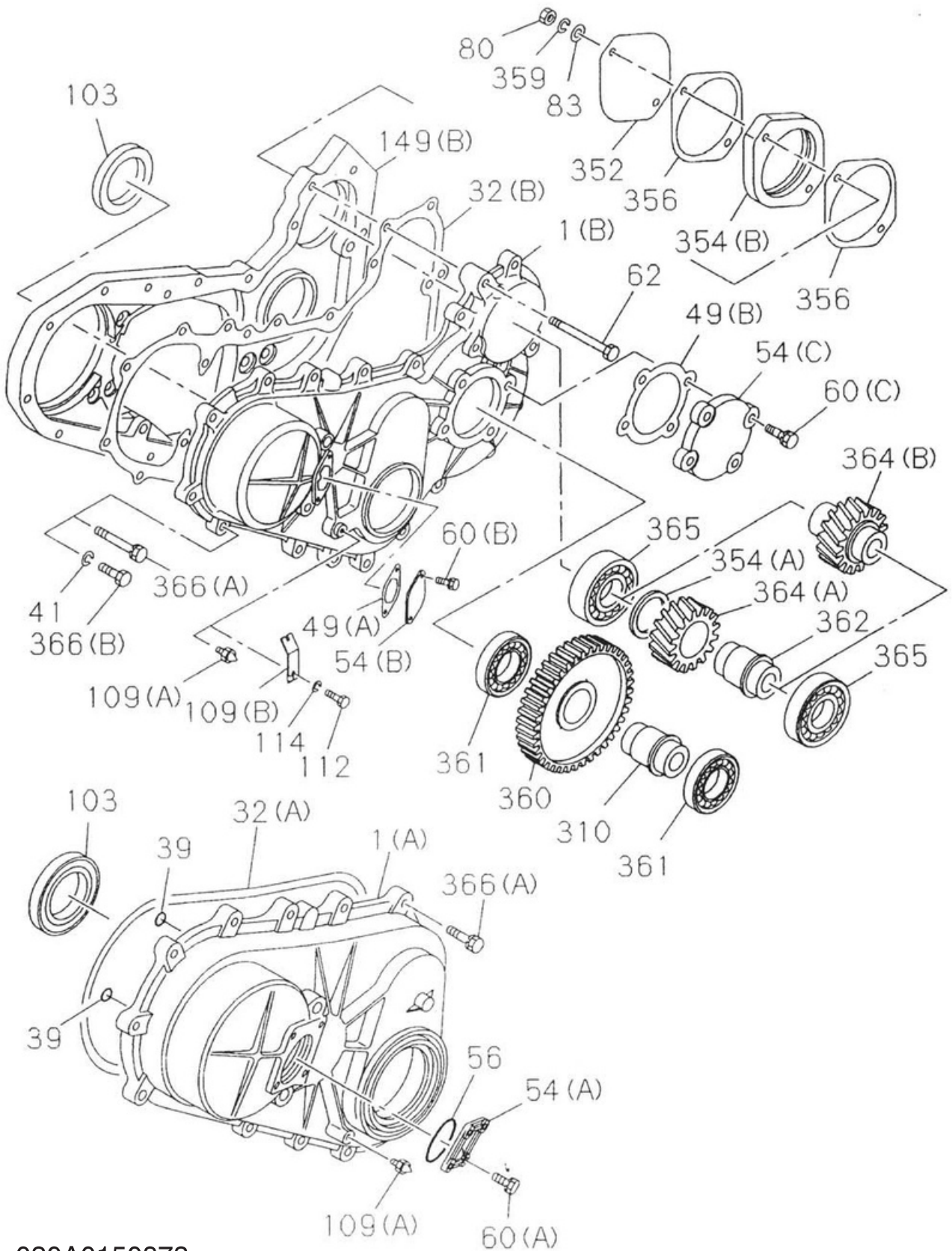
FIG.0-15 CRANKSHAFT, PISTON AND FLYWHEEL

件号 Key No.	部 件 号 Part No.	部 件 名 称 Part Name	数量 Q'ty	备 注 Remarks
74	894163-1740	轴衬组, 连杆, U/S=0.25 METAL SET; CONN ROD, U/S=0.25	4	
75	894163-1750	轴衬组, 连杆, U/S=0.50 METAL SET; CONN ROD, U/S=0.50	4	
83	512211-0170	销, 活塞 (也包括在衬垫组中) PIN; PISTON ALSO INCLUDED IN LINER SET	4	
84	512230-0391	连杆总成 BOD ASM; CONN	4	
85	512251-0050	衬套, 连杆 BUSHING; CONNROD	4	
86	512235-0090	螺栓, 连杆 ROLT; CONNROD	8	
88	509409-0160	螺母, 连杆 NUT; CONNROD	8	
93	912362-0390	抛油环, 曲轴 THROWER; OIL, CR/SHF	1	
126	509587-0010	挡圈, 活塞销(也包括在衬垫组中) RING; SNAP, PISTON PIN ALSO INCLUDED IN LINER SET	8	



图0-20 正时齿轮箱和飞轮壳(No.1)

FIG.0-20 TIMING GEAR CASE AND FLYWHEEL HOUSING

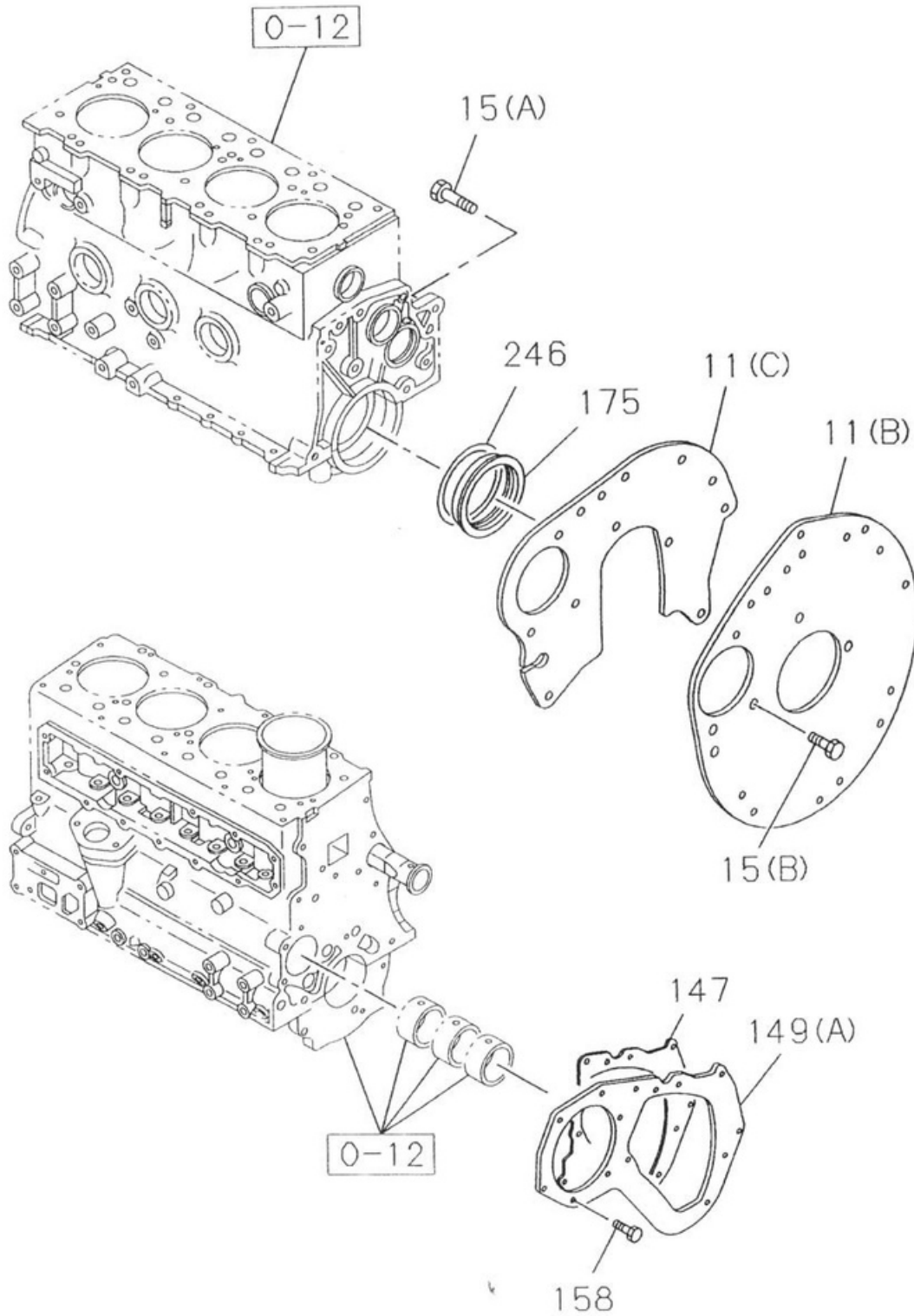


020A0150873



图0-20 正时齿轮箱和飞轮壳(No.2)

FIG.0-20 TIMING GEAR CASE AND FLYWHEEL HOUSING

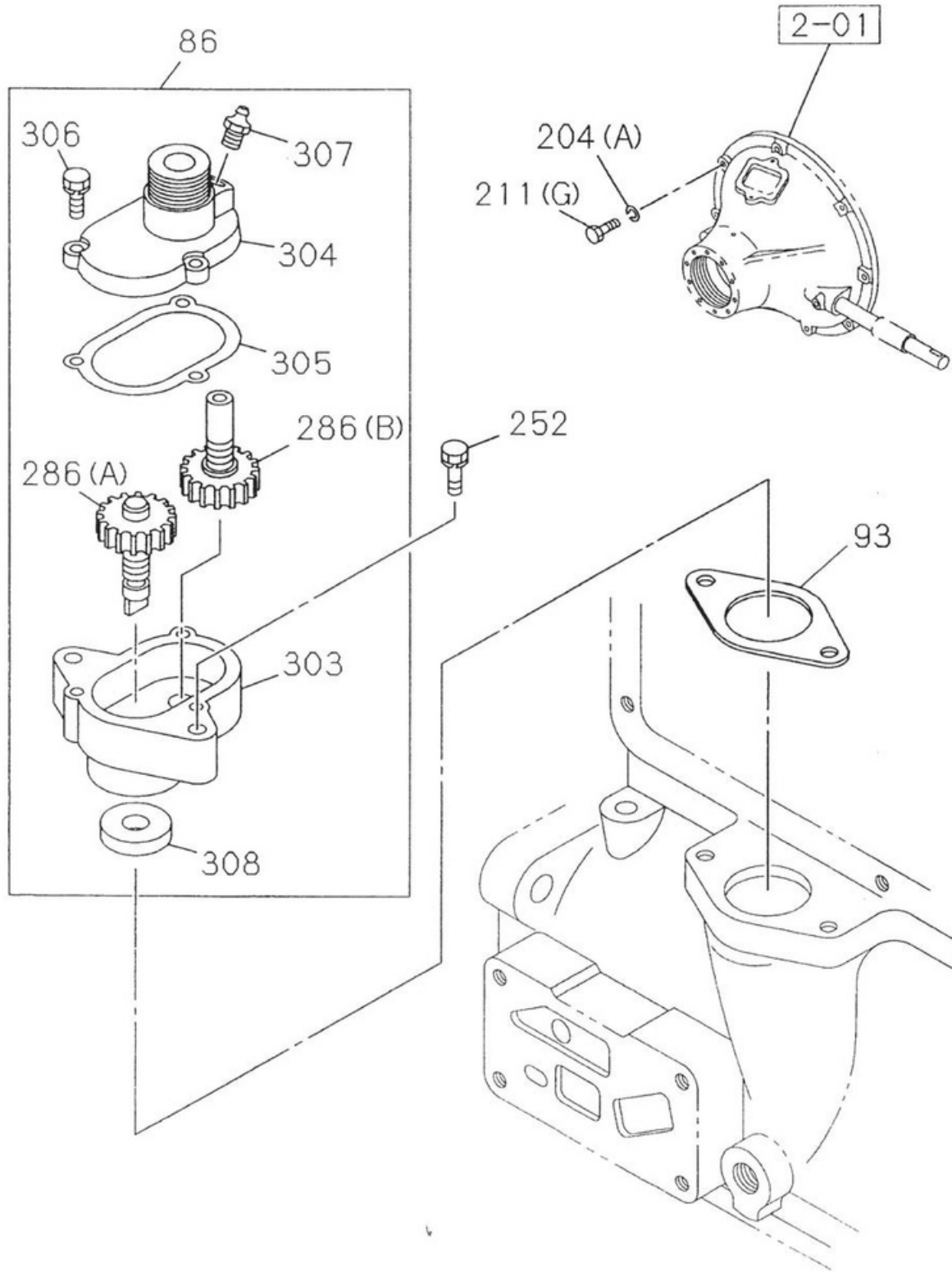


020A0250873



图0-20 正时齿轮箱和飞轮壳(No.3)

FIG.0-20 TIMING GEAR CASE AND FLYWHEEL HOUSING

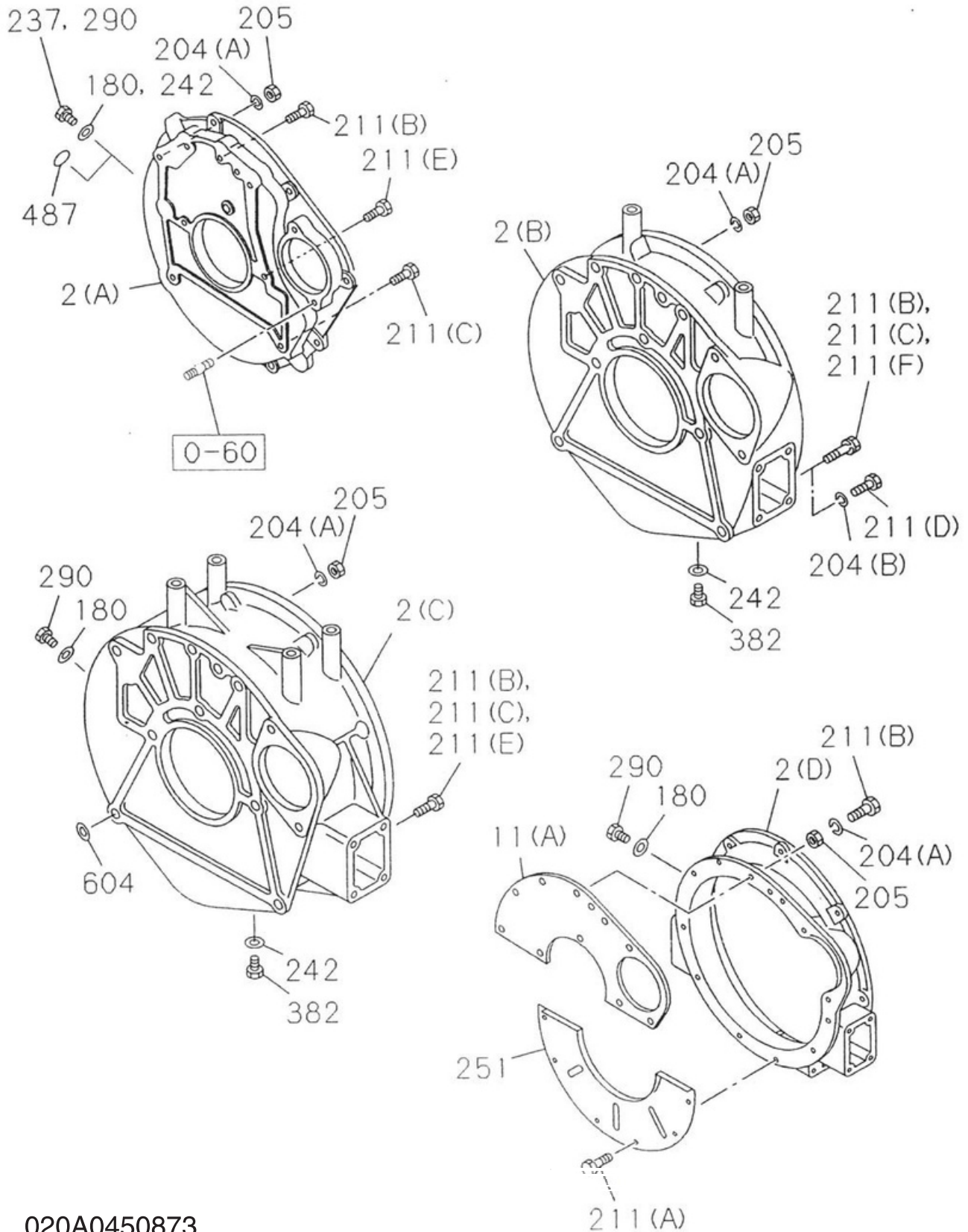


020A0350873



图0-20 正时齿轮箱和飞轮壳(No.4)

FIG.0-20 TIMING GEAR CASE AND FLYWHEEL HOUSING



020A0450873



图0-20 正时齿轮箱和飞轮壳

FIG.0-20 TIMING GEAR CASE AND FLYWHEEL HOUSING

件号 Key No.	部 件 号 Part No.	部 件 名 称 Part Name	数量 Q'ty	备 注 Remarks
1(B)	511311-0470	正时齿轮箱 CASE; TIMING GEAR	1	
2(A)	511341-1043	飞轮壳 HOUSING; FLYWHEEL	1	
15(A)	989112-9110	螺栓, 连接后板和气缸体 BOLT; RR PLATE TO C/BL	1	M10 × 40
32(B)	897113-7430	垫片, 齿轮箱和气缸体之间 (也包括在发动机垫片组中) GASKET; GEAR CASE TO C/BL ALSO INCLUDED IN GASKET SET (ENGINE)	1	
49(A)	897027-6011	垫片, 齿轮箱和盖之间 (也包括在发动机垫片组中) GASKET; GEAR CASE TO COVER ALSO INCLUDED IN GASKET SET (ENGINE)	1	
49(B)	511322-0190	垫片, 齿轮箱和盖之间 (也包括在发动机垫片组中) GASKET; GEAR CASE TO COVER ALSO INCLUDED IN GASKET SET (ENGINE)	1	
54(B)	511321-0090	齿轮箱盖 COVER; GEAR CASE	1	
54(C)	511321-0380	齿轮箱盖 COVER; GEAR CASE	1	
60(B)	028050-6120	螺栓, 连接盖和箱 BOLT; COVER TO CASE	2	M6 × 12 FLANGE
60(C)	028050-8160	螺栓, 连接盖和箱 BOLT; COVER TO CASE	4	M8 × 16 FLANGE
62	028051-0900	螺栓, 盖 BOLT; COVER	2	M10 × 90 FLANGE
80	091180-2100	螺母, 盖 NUT; COVER	2	
103	509625-0790	油封, 曲轴前端 (也包括在发动机垫片组中) SEAL; OIL, CR/SHF, FRT ALSO INCLUDED IN GASKET SET (ENGINE)	1	
109(A)	911327-0450	正时指针 POINTER; TIMING	1	
147	894365-6901	垫片, 前板和气缸体之间 (也包括在发动机垫片组中) GASKET; FRT PLATE TO C/BL ALSO INCLUDED IN GASKET SET (ENGINE)	1	
149	511311-0461	前板, 气缸体 PLATE; FRT, C/BL	1	



图0-20 正时齿轮箱和飞轮壳

FIG.0-20 TIMING GEAR CASE AND FLYWHEEL HOUSING

件号 Key No.	部 件 号 Part No.	部 件 名 称 Part Name	数量 Q'ty	备 注 Remarks
158	050040-8220	螺栓, 前板 BOLT; FRT PLATE	5	M8 × 22 W/LK WASHER
175	894111-7501	油封, 曲轴后端 (也包括在发动机垫片组中) SEAL; OIL, CR/SHR, RR ALSO INCLUDED IN GASKET SET (ENGINE)	1	
204(A)	091510-5100	垫圈 WASHER; LK, HSG	1	
205	091110-5100	螺母 NUT; HSG	1	
211(B)	050541-0250	螺栓 BOLT; HSG	3	M10 × 25 W/LK WASHER
211(C)	509000-2270	螺栓 BOLT; HSG	3	M12 × 25
211(E)	050541-2300	螺栓 BOLT; HSG	2	M12 × 30 W/LK WASHER
246	912363-1121	油封隔套, 曲轴 SPACER; OIL SEAL, CR/SHF	1	
310	512533-0130	怠速齿轮轴 SHAFT; IDLE GEAR	1	
352	511321-0360	盖, 液压泵 COVER; HYDRAULIC PUMP	1	
354(B)	897373-6150	隔套, 液压泵 SPACER; HYDRAULIC PUMP	1	
356	511322-0180	垫片, 盖 (也包括在发动机垫片组中) GASKET; COVER ALSO INCLUDED IN GASKET SET (ENGINE)	2	
360	512525-0142	齿轮, 怠速 GEAR; IDLE, PTO	1	
361	509800-0320	轴承, 怠速齿轮 BEARING; IDLE GEAR	2	
364(B)	894334-8550	齿轮 GEAR, PTO	1	
365	900006-2070	轴承, 齿轮 BEARING; GEAR	2	
366(A)	028050-8250	螺栓, 齿轮箱 BOLT; GEAR CASE	6	M8 × 25 FLANGE
	028080-8450	螺栓, 齿轮箱 BOTL; GEAR CASE	7	M8 × 45 FLANGE
604	909651-1330	垫片, 曲轴箱和壳体之间 SHIM; CRANKCASE TO HSG	AR	T=0.30

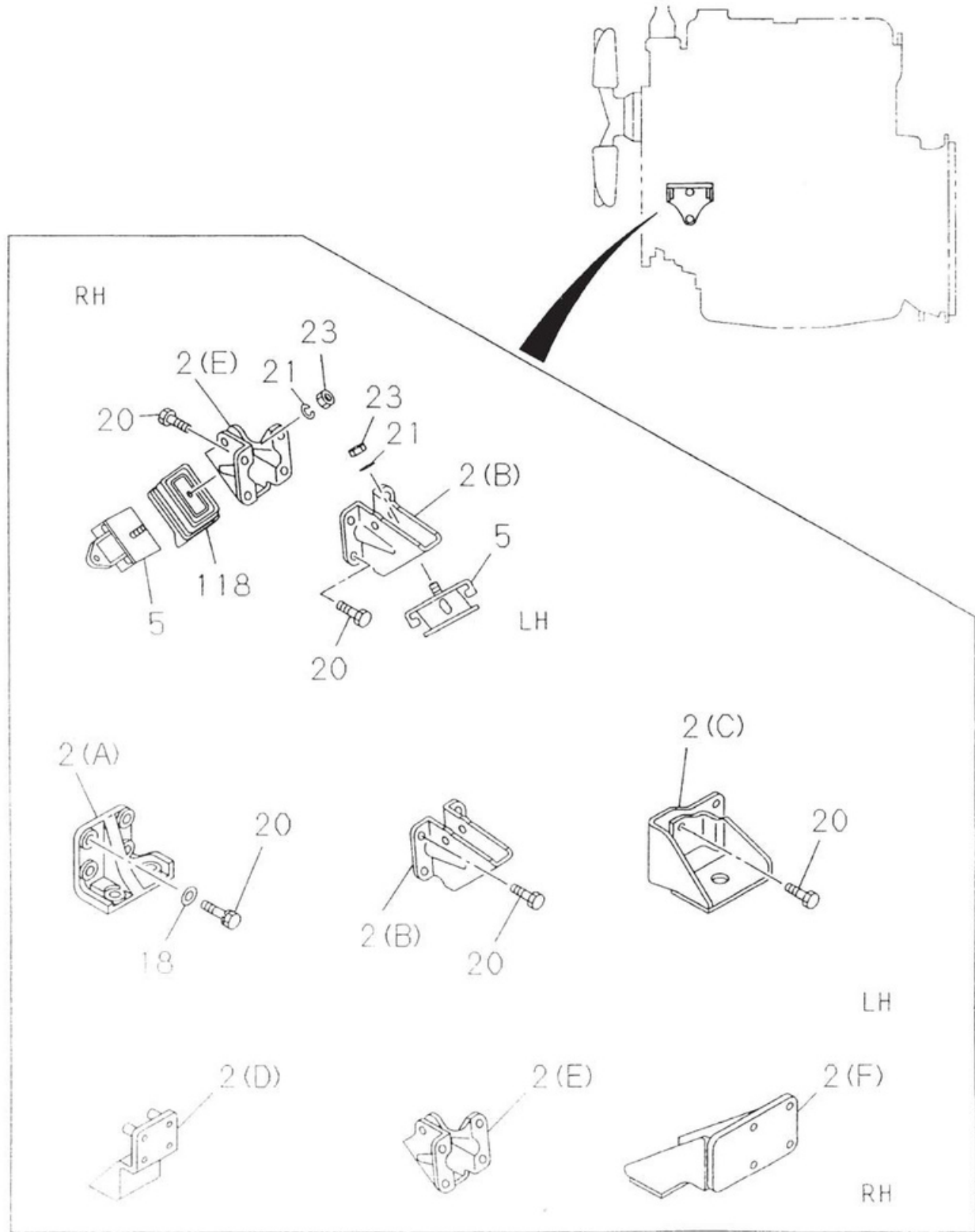
图0-20 正时齿轮箱和飞轮壳

FIG.0-20 TIMING GEAR CASE AND FLYWHEEL HOUSING

件号 Key No.	部 件 号 Part No.	部 件 名 称 Part Name	数量 Q'ty	备 注 Remarks
604	909651-1340	垫片, 曲轴箱和壳体之间 SHIM; CRANKCASE TO HSG	AR	T=0.35
	909651-1350	垫片, 曲轴箱和壳体之间 SHIM; CRANKCASE TO HSG	AR	T=0.40
	909651-1360	垫片, 曲轴箱和壳体之间 SHIM; CRANKCASE TO HSG	AR	T=0.45
	909651-1370	垫片, 曲轴箱和壳体之间 SHIM; CRANKCASE TO HSG	AR	T=0.50
	909651-1380	垫片, 曲轴箱和壳体之间 SHIM; CRANKCASE TO HSG	AR	T=0.55
	908651-1390	垫片, 曲轴箱和壳体之间 SHIM; CRANKCASE TO HSG	AR	T=0.60
	909651-1400	垫片, 曲轴箱和壳体之间 SHIM; CRANKCASE TO HSG	AR	T=0.65
	909651-1410	垫片, 曲轴箱和壳体之间 SHIM; CRANKCASE TO HSG	AR	T=0.70
	909651-1420	垫片, 曲轴箱和壳体之间 SHIM; CRANKCASE TO HSG	AR	T=0.75
	909651-1430	垫片, 曲轴箱和壳体之间 SHIM; CRANKCASE TO HSG	AR	T=0.80
	909651-1440	垫片, 曲轴箱和壳体之间 SHIM; CRANKCASE TO HSG	AR	T=0.85
	909651-1450	垫片, 曲轴箱和壳体之间 SHIM; CRANKCASE TO HSG	AR	T=0.90



图0-22 发动机安装
 FIG.0-22 ENGINE MOUNTING



022A0150873



图0-22 发动机安装

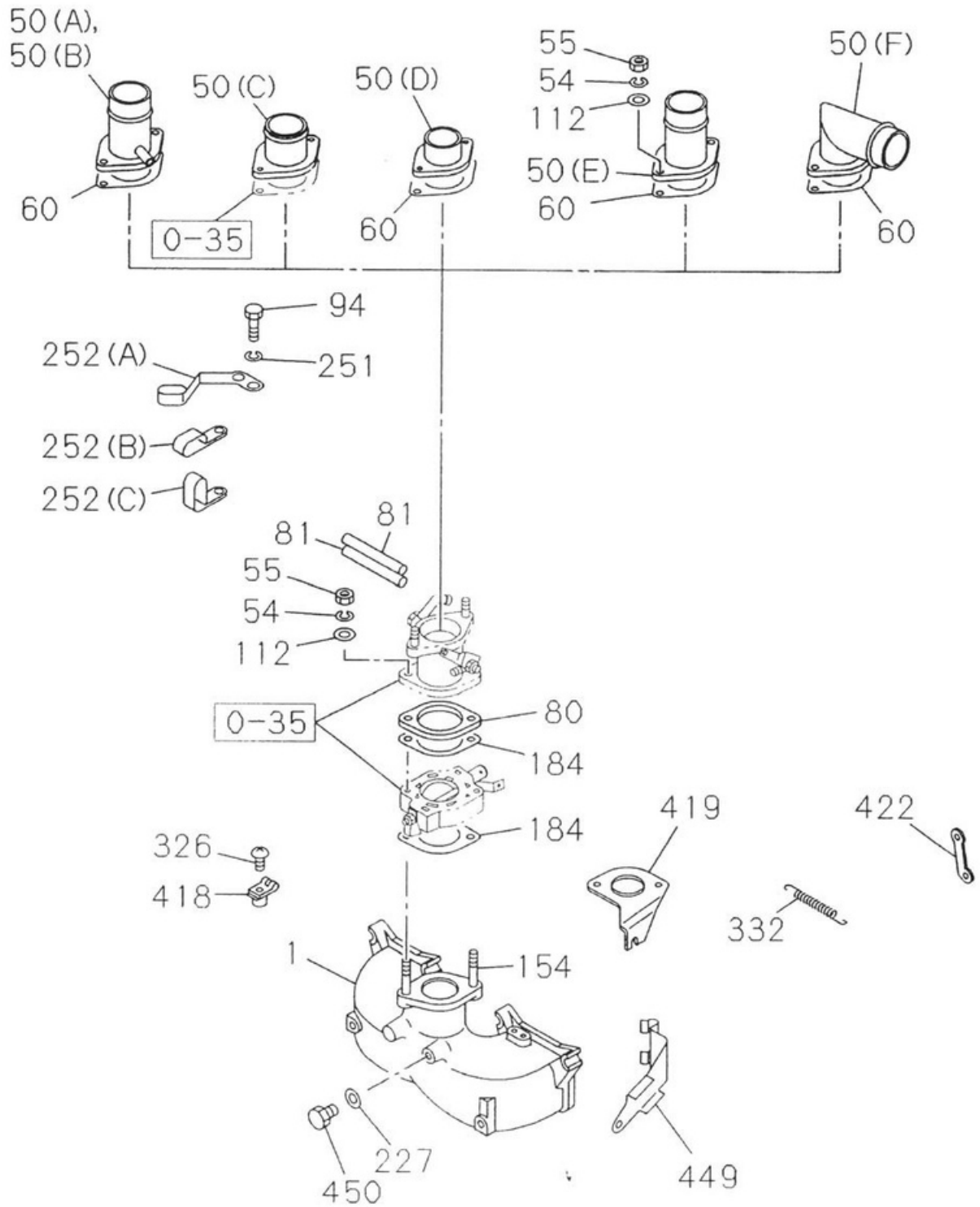
FIG.0-22 ENGINE MOUNTING

件号 Key No.	部 件 号 Part No.	部 件 名 称 Part Name	数量 Q'ty	备 注 Remarks
2(C)	894315-4950	发动机支脚 FOOT; ENG	1	
2(F)	511771-1301	发动机支脚 FOOT; ENG	1	
20	050041-0280	螺栓, 发动机支脚 BOLT; ENG FOOT	2	M10 × 28 W/LK WASHER
	050041-0220	螺栓, 发动机支脚 BOLT; ENG FOOT	6	M10 × 22 W/LK WASHER



图0-25 进气歧管

FIG. 0-25 INLET MANIFOLD



025A0150873



图0-25 进气歧管

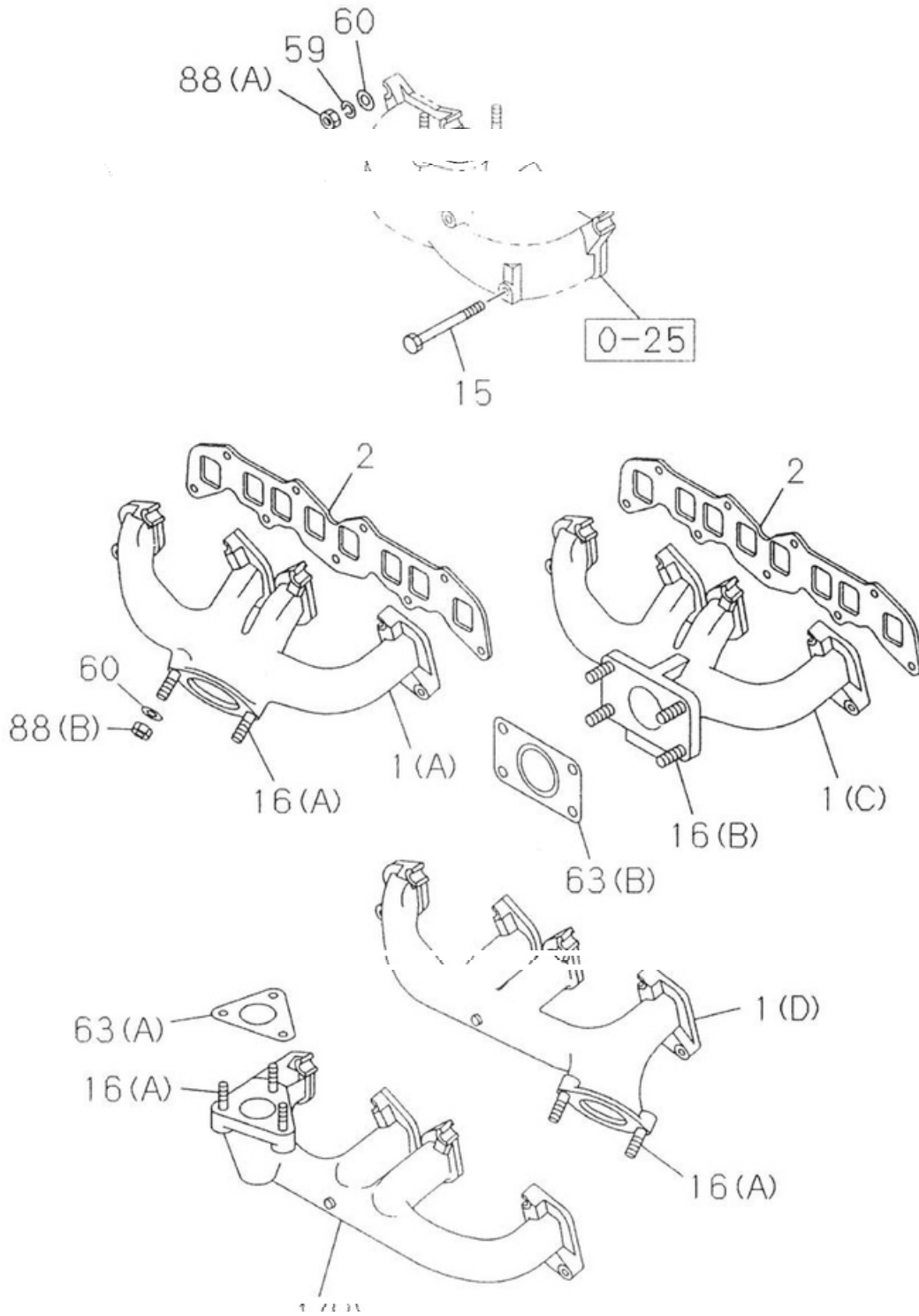
FIG. 0-25 INLET MANIFOLD

件号 Key No.	部 件 号 Part No.	部 件 名 称 Part Name	数量 Q'ty	备 注 Remarks
1	514111-0732	进气歧管 MANIFOLD; INL	1	
50(A)	897128-4691	进气管 PIPE; INL	1	
54	091510-5080	垫圈, 进气管 WASHER; LK, INL PIPE	2	
55	091110-5080	螺母, 进气管 NUT; INL PIPE	2	
60	897086-2921	垫片, 进气管 (也包括在发动机垫片组中) GASKET; INL PIPE ALSO INCLUDED IN GASKET SET(ENGINE)	1	
154	041010-8250	双头螺柱, 进气门 STUD; INL SHUTTER, MANIF	2	M10 × 25 L=37



图0-27 排气歧管

FIG.0-27 EXHAUST MANIFOIL



027A0150873



图0-27 排气歧管

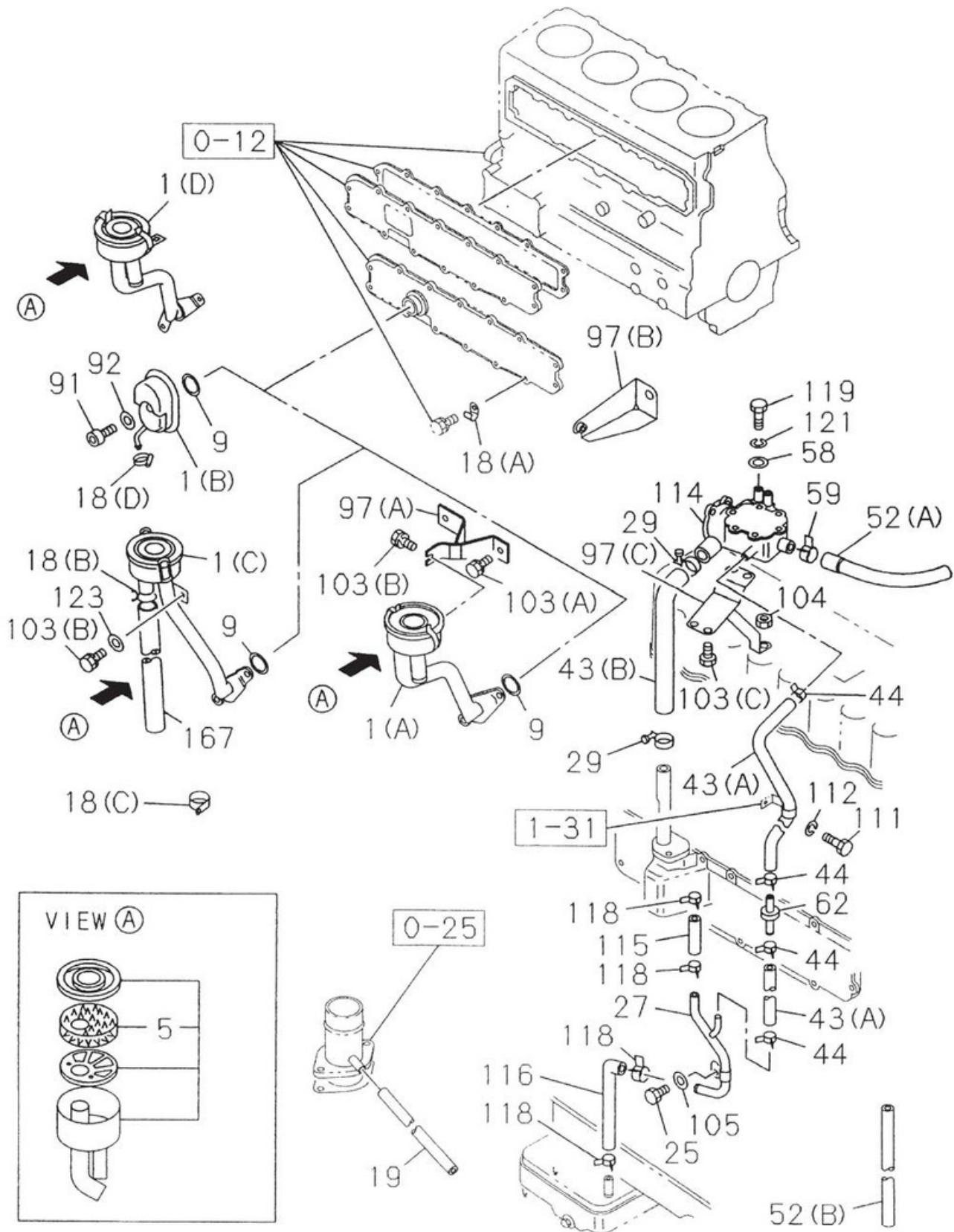
FIG.0-27 EXHAUST MANIFOIL

件号 Key No.	部 件 号 Part No.	部 件 名 称 Part Name	数量 Q'ty	备 注 Remarks
1(C)	894139-8451	排气歧管 MANIFOLD; EXHAUST	1	
2	897113-7441	垫片, 排气歧管和缸头之间 GASKET; EXH MANIF TO HD	1	
15	109044-0751	螺栓, 排气歧管 BOLT; EXH MANIF	2	M8 × 95 FLANGE
16(B)	044011-0250	双头螺柱, 排气管和歧管之间 STUD; EXH PIPE TO MANIF	4	M10 × 25 L=40
60	091614-6080	垫圈, 排气管 WASHER; PL, EXH PIPE	6	
88(A)	091110-5080	螺母, 排气管 NUT; EXH PIPE	7	



图0-28 通风系统

FIG.0-28 VENTILATION SYSTEM



028A0150873



图0-28 通风系统

FIG.0-28 VENTILATION SYSTEM

件号 Key No.	部 件 号 Part No.	部 件 名 称 Part Name	数量 Q'ty	备 注 Remarks
1(C)	511740-0212	空气呼吸器 BREATHER; AIR	1	
5	911745-0240	元件, 铜, 羊毛 ELEMENT; BRASS WOOL	1	
9	909921-0990	垫片, 空气呼吸器 (也包括在发动机垫片组中) GASKET; AIR BREATHER ALSO INCLUDED IN GASKET SET(ENGINE)	1	
18(B)	909915-2380	管夹, 橡胶管, 空气呼吸器 CLIP; RUBBER HOSE, AIR BREATHER	1	
19	001258-3000	橡胶管, 呼吸器 HOSE; RUBBER BREATHER	1	L=200S.B L=3000
103(A)	028050-8160	螺栓, 连接支架和呼吸器 BOLT; BRKT TO AIR BREATHER	1	M8 × 16 FLANGE
123	091614-5080	垫圈, 支架 WASHER; PL, BRKT	1	
167	509366-0360	管子 PIPE; BREATHER	1	L=550 S.B L=800



图0-30 水泵和防腐装置

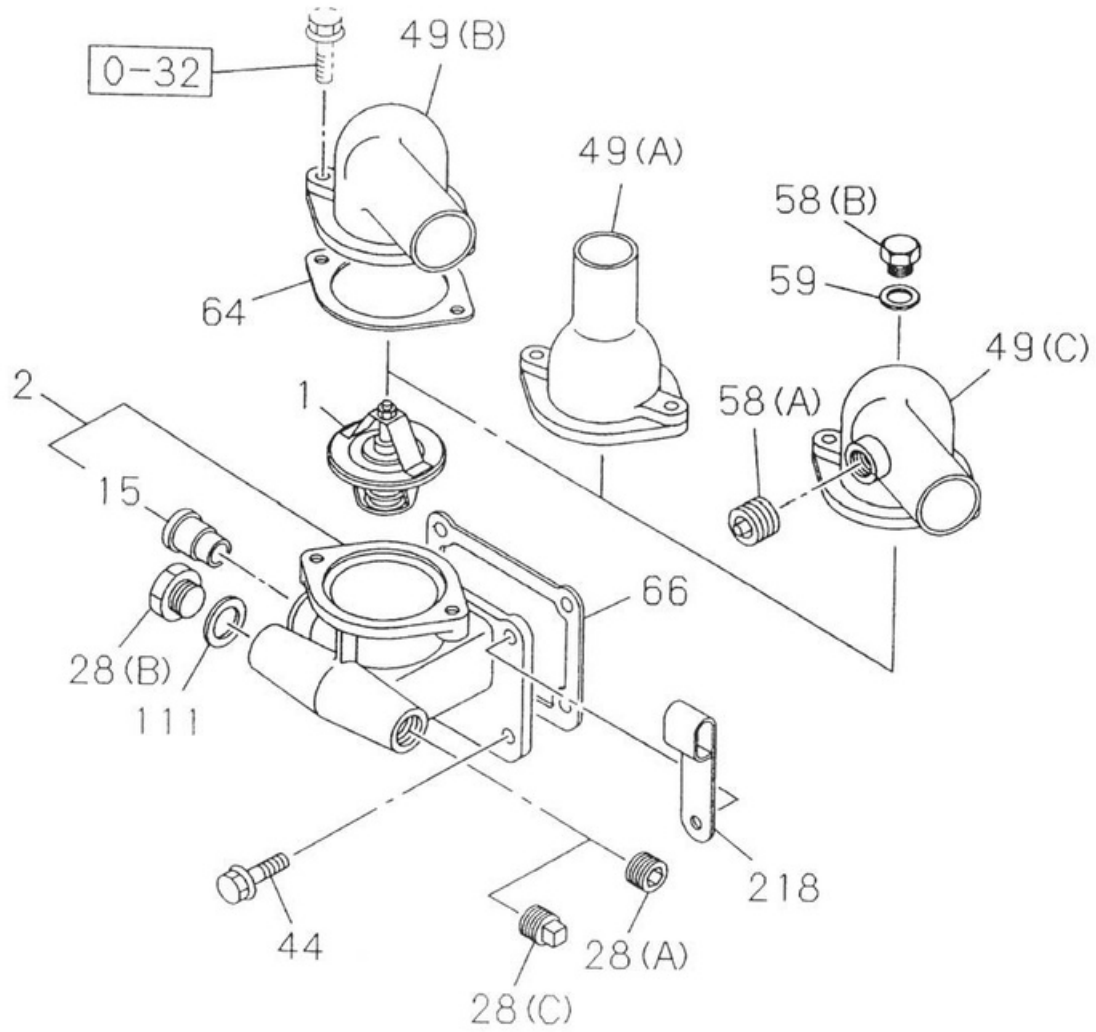
FIG.0-30 WATER PUMP AND CORROSION RESISTOR

件号 Key No.	部 件 号 Part No.	部 件 名 称 Part Name	数量 Q'ty	备 注 Remarks
1	897379-8070	水泵总成 PUMP ASM; WATER, W/GASKET	1	
3	913614-0430	垫片, 泵和缸体之间 (也包括在发动机垫片组中) GASKET; PUMP TO C/BL ALSO INCLUDED IN GASKET SET(ENGINE)	1	
4	897380-5010	备件组, 水泵 REPAIT KIT; WATER PUMP	1	
7	513641-0453	皮带轮, 水泵 PULLEY; WATER PUMP	1	D=132 L=50
18	894114-7270	叶轮, 水泵 IMPELLER; WATER PUMP	1	OD=81
19	894311-8140	垫片, 盖和泵体之间 GASKET; COVER TO BODY	1	
20	894311-6000	盖, 水泵 COVER; WATER PUMP	1	
25	513642-0640	泵芯 CENTER; WATER PUMP	1	
28	909150-5080	垫圈, 水泵 WASHER; WATER PUMP	4	
32	897237-5320	密封装置, 水泵 SEAL UNIT; WATER PUMP	1	OD=30
35	010805-8350	螺栓, 连接盖和泵体 BOLT; COVER TO BODY	3	M8 × 35
36	050041-0600	螺栓, 连接水泵和缸体 BOLT; WATER PUMP TO /C/BL	1	M10 × 60 W/LK WASHER
	028051-0500	螺栓, 连接水泵和缸体 BOLT; WATER PUMP TO /C/BL	4	M10 × 50 FLANGE
	509030-0241	螺栓, 连接水泵和缸体 BOLT; WATER PUMP TO /C/BL	1	M10 × 65
37	894110-5600	轴承组, 水泵 BEARING UNIT; WATER PUMP	1	
38	509814-0010	螺钉, 水泵 SCREW; WATER PUMP	1	
39	913639-0010	抛油环, 水泵 THROWER; WATER PUMP	1	
111	909862-0420	螺栓, 水泵体 BOLT; WATER PUMP BODY	1	
112	909571-1060	垫片, 水泵体螺栓 GASKET; WATER PUMP BODY BOLT	1	
113	509605-0050	螺塞, 水泵 PLUG; WATER PUMP	1	PT3/8



图0-31 节温器壳体

FIG.0-31 THERMOSTAT AND HOUSING



031A0150873



图0-31 节温器和壳体

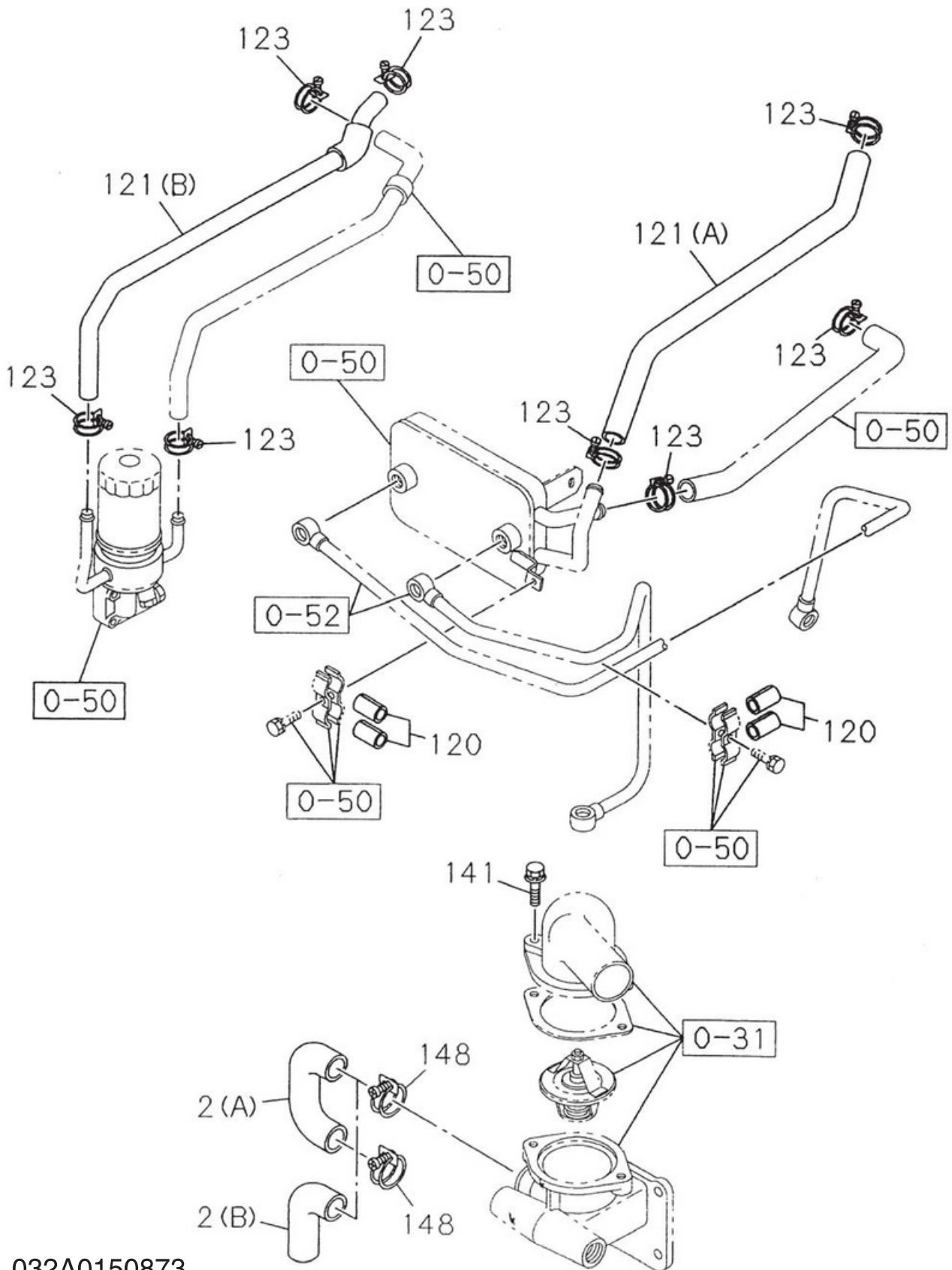
FIG.0-31 THERMOSTAT AND HOUSING

件号 Key No.	部 件 号 Part No.	部 件 名 称 Part Name	数量 Q'ty	备 注 Remarks
1	513770-0211	节温器 THERMOSTAT	1	82°C
2	913716-8042	节温器壳体 HOUSING; THERMOSTAT	1	
15	513719-0470	旁路管 PIPE; BYPASS	1	
28(B)	909661-0050	螺塞 PLUG; HTR	1	M16×8
44	028650-8200	螺栓 BOLT; HSG TO HD	2	M8×20 FLANGE
	028050-8200	螺栓 BOLT; HSG TO HD	2	M8×20 FLANGE
49(C)	513713-0300	出水管 PIPE; WATER OUTLET	1	
58(B)	909661-0050	螺塞, 出水管 PLUG; WATER OUTLET PIPE	1	M16×8
64	894365-6742	垫片, 出水管和壳体之间 (也包括在发动机垫片组中) GASKET; OUTLET PIPE TO HSG ALSO INCLUDED IN GASKET SET(ENGINE)	1	
66	897229-4711	垫片, 节温器壳体 (也包括在发动机和缸头垫片组中) GASKET; THERMOSTAT HSG ALSO INCLUDED IN GASKET SET(ENG & HEAD)	1	
111	909571-3160	垫片, 螺塞, 水管 GASKET; PLUG, WATER PIPE HOLE	1	



图0-32 发动机水管

FIG.0-32 WATER PIPING; ENGINE



032A0150873



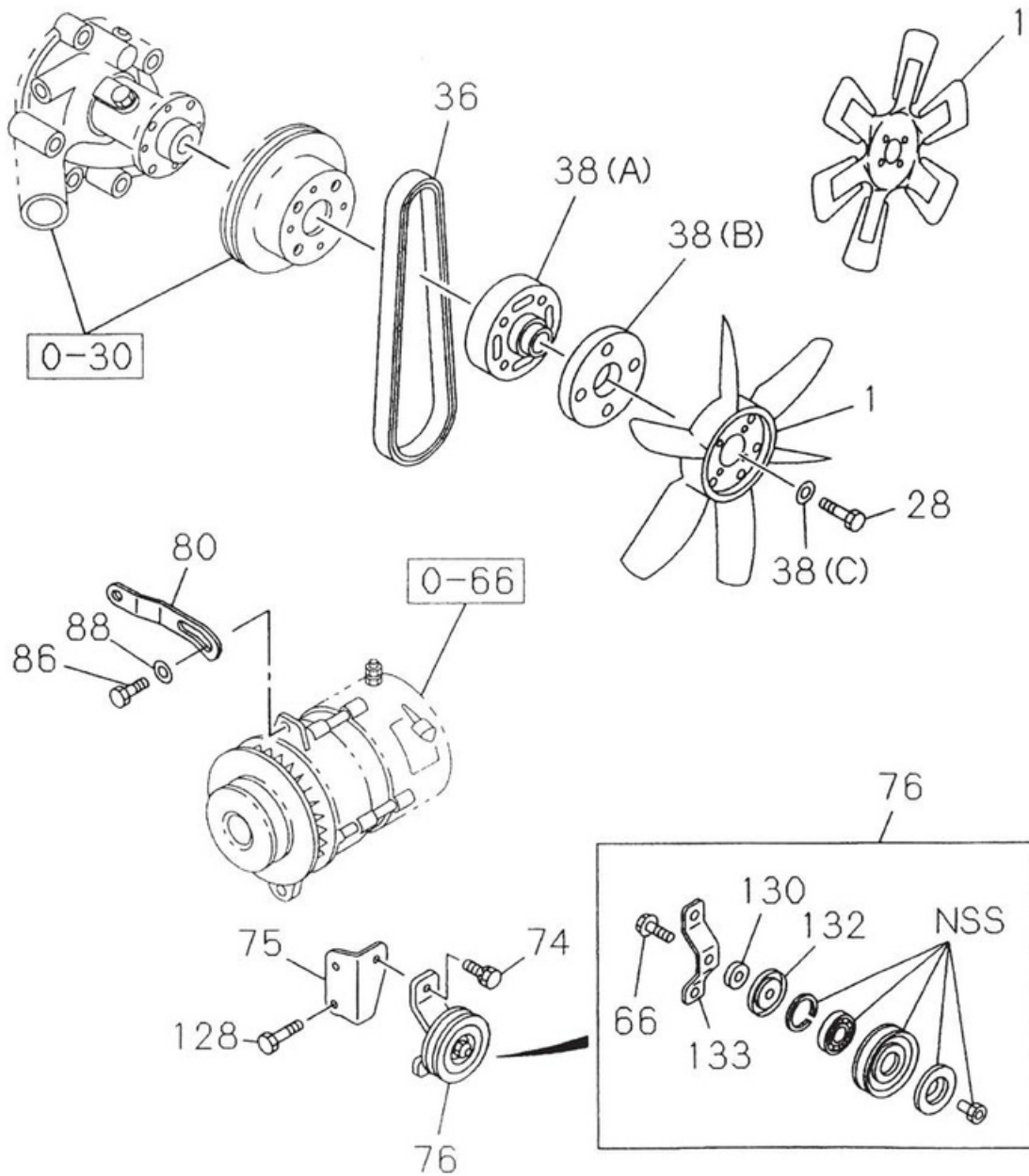
图0-32 发动机水管

FIG.0-32 WATER PIPING; ENGINE

件号 Key No.	部 件 号 Part No.	部 件 名 称 Part Name	数量 Q'ty	备 注 Remarks
2(B)	509361-1670	水管, 旁路 HOSE; WATER, BY-PASS	1	
141	028650-8300	螺栓, 水管 BOLT; WATER PIPE	2	M8 x 30 FLANGE
148	894242-0340	管夹, 旁路管 CLIP; BYPASS HOSE	2	ID=21



图0-33 风扇和风扇皮带
 FIG.0-33 FAN AND FAN BELT



033A0150873



图0-33 风扇和风扇皮带

FIG.0-33 FAN AND FAN BELT

件号 Key No.	部 件 号 Part No.	部 件 名 称 Part Name	数量 Q'ty	备 注 Remarks
1	897022-8101	冷却风扇 FAN; COOLING	1	D=380-6- BLOW-PP
28	020800-6120	螺栓, 冷却风扇 BOLT; COOLING FAN	2	M6 × 12
	050040-8200	螺栓, 冷却风扇 BOLT; COOLING FAN	4	M8 × 20 W/LK WASHER
36	513671-1260	皮带, 冷却风扇 BELT; COOLING FAN	1	L=1189
38(C)	897063-4003	隔套, 风扇 SPACER; FAN	1	T=4.5
80	894404-3500	调节板 PLATE; ADJ	1	
86	050040-8320	调节螺栓 BOLT; ADJ	1	M8 × 32 W/LK WASHER
88	091614-7080	垫圈 WASHER; PL, ADJ PLATE	1	
<p>This forklift engine Isuzu C240PKG parts manual only have 1-44 pages, there are still another 45-101 pages of this parts manual of please download it.</p> <p>Thank you very much!</p>				

