



XF Series

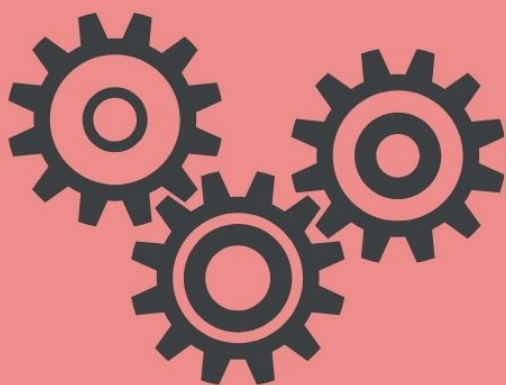
PARTS CATALOG

4.0t-X5t X 系列内燃平衡重式叉车
4.0t-X5t X Series Internal Combustion Counterbalanced Forklift Truck

零件目录
PARTS CATALOG

杭叉集团股份有限公司
HANGCHA GROUP CO., LTD.

02/2019



Hangcha Forklift Spare Parts Manual

CPCD50 Hangcha Truck Parts Hangcha X-Series 4.0t-X5t Internal Combustion Counterbalanced Forklift Truck

This catalog collects all of the components in an X-series of 4-5-ton forklift trucks.

Noted:

1. Looking up the series number of the part in the drawing of the assembly, in which the part is in the catalog, and then the codes of the drawing and standard of the part in terms of the series number.
- 2.No noted are all of the interchangeable parts and components, non-interchangeable parts and components are noted that which model can be applied, and it will be noted at the top right corner of the catalog and corresponding remark.
3. Container forklift truck and CP series truck are the same except for the lifting system.
4. For Mast parts see "4-X5t X Series Internal Combustion Counterbalanced Forklift Truck Mast Parts Catalog".



Anhui Leading Forklift Parts Co., Ltd.

www.leadingforkliftparts.com

www.youtube.com/@leadingforkliftparts



XF Series

PARTS CATALOG

4.0t-X5t X 系列内燃平衡重式叉车

4.0t-X5t X Series Internal Combustion Counterbalanced Forklift Truck

零件目录

PARTS CATALOG

杭叉集团股份有限公司
HANGCHA GROUP CO., LTD.

02/2019



杭叉集团股份有限公司
HANGCHA GROUP CO., LTD.

全国客服热线：400-884-7888

- 地址：中国浙江省杭州市临安区相府路 666 号
- 电话：0571-88926666（总机号）85191117
- 传真：0571-85131772 ■ 邮编：311305
- 网站：<http://www.zjhc.cn> ■ 电子邮件：sales@zjhc.cn

- Address For: OVERSEAS USERS
- Address: 666 Xiangfu Road, Lin'an ,Hangzhou,Zhejiang, China
- ZIP:311305
- Fax: 0086-571-88926789 0086-571-88132890
- Web: <http://www.hcforklift.com> ■ E-mail: sales@hcforklift.com

说 明

- 1、本“零件目录”汇集 4.0t~X5t X 系列各种叉车的零部件。
- 2、查询方法：
 - ① 用户可根据目录中各总成图查找所需的零部件的序号，根据序号可查得相应的图号或标准号。
 - ② 本目录中凡各种叉车通用的零件在目录中不加说明，不通用件除了在目录的右上角表示此总成所适用的车型代号和车型外，还在相应的备注予以区别。
- 3、订购零件时，须写明所用叉车的型号，出厂编号，所需零部件代号、名称及订购数量。
- 4、维修更换零部件时，为确保质量，请使用本公司零部件。
- 5、为提高质量，本公司将对某些零部件进行改进，对改进部分在本目录中不能同时一一修改，请用户谅解，欲了解详细情况可与本公司销售公司及备件处联系。
- 6、-X 集装箱叉车，除门架不同外，其余完全通用。
- 7、门架另见《4.0t-X5t X 系列内燃平衡重式叉车 门架零件目录》。

INFORMATION

I .This catalogue collects all of the parts (components)in series of 3-3.8 ton XF fork lift trucks.

II .Looking up methods:

- ① First looking up the series number of the part (component) in the drawings of the assembly, in which the part (component) is in the catalogue and then the codes of the drawing and standard of the part (the component) in terms of the series number.
- ② No noted are all of the interchangeable parts and components ,non-interchangeable parts and components are noted that which model can be applied, and it will be noted at top righter corner of catalogue and corresponding remark..

III. Model, series Number, code Number of drawing and quantity should be given when ordering the spare parts.

IV. It is recommended to use the parts and components made by us for ideal the service and maintenance.

V . We reserve the right of the change of the truck in construction for improving our products without notice. For the details of changes, please consult with sales department of Hangzhou Forklift Truck Co., Ltd.

VI. Container fork lift truck and CP series truck is same except of the lifting system.

VII. Mast see “4-X5t X Series Internal Combustion Counterbalanced Forklift Truck **Mast Parts Catalog**”.

© 2019 年 02 月 杭叉集团股份有限公司 © 02/2019 HANGCHA GROUP CO., LTD.

缩写及代码:	Abbreviations and codes:
<p>Ⓐ Ⓐ① Ⓑ 车型代号 A1,A2,A3 总成序号 Assy 总成或组件 INC 包含 LPG-Y 单燃料 LPG-QY 双燃料 IMPCO IMPCO 燃料系统</p>	<p>Ⓐ Ⓐ① Ⓑ Model numbers A1,A2,A3 Item,Assy Assy Assembly INC Including LPG-Y Single fuel LPG-QY Daul fuel IMPCO IMPCO Combustion System</p>

目 录 CONTENTS

第一部分	传动系统	PART I	DRIVING SYSTEM.....	1-A
第二部分	转向系统	PART II	STEERING SYSTEM.....	2-A
第三部分	动力系统	PART III	POWER SYSTEM.....	3-A
第四部分	车身系统	PART IV	BODY SYSTEM.....	4-A
第五部分	操纵系统	PART V	CONTROLLING SYSTEM	5-A
第六部分	液压系统	PART VI	HYDRAULIC SYSTEM	6-A
第七部分	电气系统	PART VII	ELECTRICAL SYSTEM	7-A

第一部分 传动系统目录

Part I Driving system contents

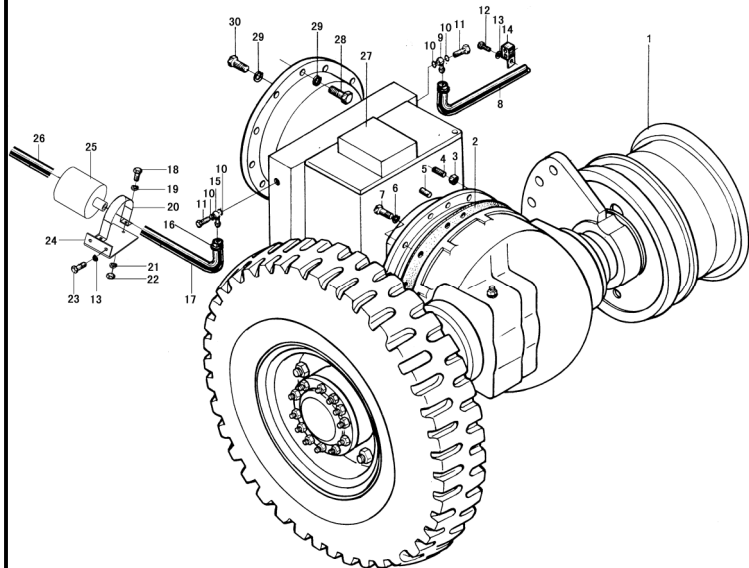
Ⓐ CPCD40/45-XRG76	Ⓑ CPCD50-XRXG76	Ⓐ ¹ CPC40/45-XRG76	Ⓑ ¹ CPC50-XRXG76
Ⓒ CPCD40/45-XRG75	Ⓓ CPCD50-XRXG75	Ⓒ ¹ CPC40/45-XRG75	Ⓓ ¹ CPC50-XRXG75
Ⓔ CPCD40/45-XRW34	Ⓕ CPCD50-XRXW34	Ⓒ ² CPCD40/45-XRW35	Ⓕ ² CPCD50-XRXW35
Ⓘ CPCD40/45-XRW76	Ⓙ CPCD50-XRXW76	Ⓖ ¹ CPQYD40/45-XRW57	Ⓙ ¹ CPQYD50-XRXW57
Ⓜ CPCD40/45-XRG73	Ⓜ ¹ CPC40/45-XRG73	Ⓝ CPCD50-XRXG73	Ⓝ ¹ CPC50-XRXG73
Ⓞ CPCD40/45-XRG93	Ⓞ CPCD50-XRG93		

序号 Item	名称 Description	适用车型 Serial No.	页码 Page
图 1 Fig. 1	传动系统 Driving system	Ⓐ Ⓑ Ⓒ Ⓓ Ⓔ Ⓕ Ⓖ Ⓙ Ⓜ Ⓝ Ⓞ 液力叉车 Hydraulic Forklift	1-1
图 2 Fig. 2	传动系统 Driving system	Ⓐ ¹ Ⓑ ¹ Ⓒ ¹ Ⓓ ¹ 机械叉车 Mechanical forklift	1-3
图 3 Fig. 3	驱动桥 Drive axle <2019-1-29	全部车型 All models of truck	1-5
图 3-1 Fig. 3-1	驱动桥 Drive axle ≥2019-1-29	全部车型 All models of truck	1-9
图 4 Fig. 4	前轮 (单轮) Front Wheel (Single)	单轮 Single Tyre	1-13
图 5 Fig. 5	前轮 (双轮) Front Wheel (Double)	双轮 Double Tyre	1-14
图 6 Fig. 6	制动器 Wheel brake	全部车型 All models of truck	1-16
图 7 Fig. 7	液力变速箱(其 1) (绍兴) Hydrodynamic gear-box(part-1) (ShaoXin)	4.0-X5t 液力变速箱 Hydrodynamic gear-box	1-19
图 8 Fig. 8	液力变速箱(其 2) (绍兴) Hydrodynamic gear-box(part-2) (ShaoXin)	4.0-X5t 液力变速箱 Hydrodynamic gear-box	1-22

序号 Item	名称 Description	适用车型 Serial No.	页码 Page
图 9 Fig. 9	控制阀总成 (绍兴) Control valve assy (ShaoXin)	4.0-X5t 液力变速箱 Hydrodynamic gear-box (电磁阀换向) (Solenoid valve Commutation)	1-26
图 10 Fig. 10	差速器 (绍兴) Differential (ShaoXin)	4.0-X5t 液力变速箱 Hydrodynamic gear-box	1-30
图 11 Fig. 11	双向离合器总成(液力式) (绍兴) Two-way clutch(tor-con type) (ShaoXin)	4.0-X5t 液力变速箱 Hydrodynamic gear-box	1-31
图 12 Fig. 12	单向离合器总成(液力式) (绍兴) One-way clutch(tor-con type) (ShaoXin)	4.0-X5t 液力变速箱 Hydrodynamic gear-box	1-33
图 13 Fig. 13	油泵总成 (绍兴) Charging pump (ShaoXin)	4.0-X5t 液力变速箱 Hydrodynamic gear-box	1-35
图 14 Fig. 14	变速器(机械式 其 1) 绍兴 ShaoXin Transmission(clutch type part-1)	4.0-X5t 机械变速箱 Mechanical gear-box	1-36
图 15 Fig. 15	变速器(机械式 其 2) 绍兴 ShaoXin Transmission(clutch type part-2)	4.0-X5t 机械变速箱 Mechanical gear-box	1-40
图 16 Fig. 16	变速器(机械式 其 3) 绍兴 ShaoXin Transmission(clutch type part-3)	4.0-X5t 机械变速箱 Mechanical gear-box	1-41
图 17 Fig. 17	变速器(机械式 其 4) 绍兴 ShaoXin Transmission(clutch type part-4)	4.0-X5t 机械变速箱 Mechanical gear-box	1-43
图 18 Fig. 18	变速器(机械式 其 5) 绍兴 ShaoXin Transmission(clutch type part-5)	4.0-X5t 机械变速箱 Mechanical gear-box	1-45
图 19 Fig. 19	变速器(机械式 其 6) 绍兴 ShaoXin Transmission(clutch type part-6)	4.0-X5t 机械变速箱 Mechanical gear-box	1-47
图 20 Fig. 20	驱动桥 Drive axle	≥2019-1-29 全部车型 All models of truck	1-49

图1 传动系统
Fig.1 Driving system

- | | | | |
|--------------------|--------------------|-------------------|-----------------|
| Ⓐ CPCD40/45-XRG76 | Ⓑ CPCD50-XRXG76 | Ⓒ CPCD40/45-XRG75 | Ⓓ CPCD50-XRXG75 |
| Ⓔ CPCD40/45-XRW34 | Ⓕ CPCD50-XRXW34 | Ⓖ CPCD40/45-XRW35 | Ⓗ CPCD50-XRXW35 |
| Ⓚ CPQYD40/45-XRW57 | Ⓛ CPQYD40/45-XRW57 | Ⓜ CPCD40/45-XRW76 | Ⓝ CPCD50-XRXW76 |
| Ⓜ CPCD40/45-XRG73 | Ⓝ CPCD50-XRXG73 | Ⓞ CPCD40/45-XRG93 | Ⓟ CPCD50-XRG93 |



序号 Item	物料码 Part No.	名称 Description	数量 Qty	备注或适用车型 Remarks or Serial No.
1	20110000016	驱动桥 Drive axle	1	
3	300020010004	螺母 M12 Nut M12	2	
4	300070040005	螺柱 M12×35 Stud M12×35	2	
5	300050100010	销 B10×30 Pin B10×30	1	
6	300030010002	垫圈 12 Washer 12	12	
7	300010040035	螺栓 M12×35 Bolt M12×35	10	
8	209990004226	低压胶管 Rubber pipe	1	
12	300010040169	螺栓 M8×16 Bolt M8×16	4	
13	300030010015	垫圈 8 Washer 8	6	
14	310040010003	抱箍 Clamp	4	
16	209990000837	蜗杆传动式软管环箍 30 Clamp	6	
17	209990004260	低压胶管 Rubber pipe	1	
18	300010040148	螺栓 M6×16 Bolt M6×16	2	
19	300030040013	垫圈 6 Washer 6	2	

图1 传动系统
Fig.1 Driving system

- | | | | |
|--------------------|--------------------|-------------------|-----------------|
| Ⓐ CPCD40/45-XRG76 | Ⓑ CPCD50-XRXG76 | Ⓒ CPCD40/45-XRG75 | Ⓓ CPCD50-XRXG75 |
| Ⓔ CPCD40/45-XRW34 | Ⓕ CPCD50-XRXW34 | Ⓖ CPCD40/45-XRW35 | Ⓗ CPCD50-XRXW35 |
| Ⓚ CPQYD40/45-XRW57 | Ⓛ CPQYD40/45-XRW57 | Ⓜ CPCD40/45-XRW76 | Ⓝ CPCD50-XRXW76 |
| Ⓜ CPCD40/45-XRG73 | Ⓝ CPCD50-XRXG73 | Ⓞ CPCD40/45-XRG93 | Ⓟ CPCD50-XRG93 |

序号 Item	物料码 Part No.	名称 Description	数量 Qty	备注或适用车型 Remarks or Serial No.
20	204201000199	抱箍 Clamp	1	
21	300030010014	垫圈 6 Washer 6	2	
22	300020010005	螺母 M6 Nut M6	2	
23	300010040171	螺栓 M8×18 Bolt M8×18	2	
24	201200080008	支架 Bracket	1	
25	206500010016	液压滤清器 Hydraulic oil filter	1	
26	209990004216	低压胶管 Rubber pipe	1	除 Ⓒ Ⓓ
26	201600060256	低压胶管 Rubber pipe	1	Ⓒ Ⓓ
27	201200000364	液力传动变速箱 Automatic transmission	1	Ⓐ Ⓑ Ⓒ Ⓓ
27	201200000365	液力传动变速箱 Automatic transmission	1	Ⓔ Ⓕ Ⓖ Ⓗ Ⓜ Ⓝ
27	201200000366	液力传动变速箱 Automatic transmission	1	Ⓚ Ⓛ
27	201200000339	液力传动变速箱 Automatic transmission	1	Ⓜ Ⓝ Ⓞ Ⓟ
28	300010040013	螺栓 M10×35 Bolt M10×35	12	
29	300030010001	垫圈 10 Washer 10	24	
30	300010040009	螺栓 M10×25 Bolt M10×25	12	

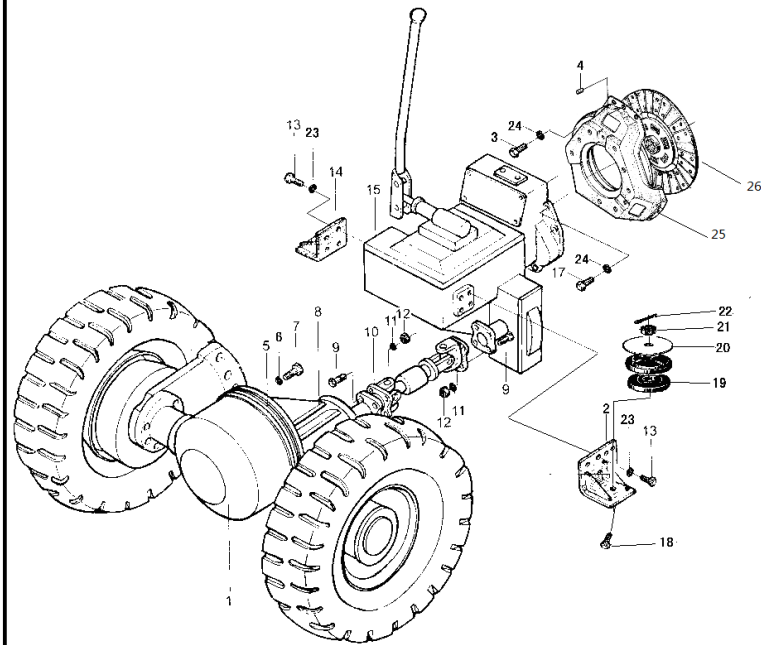
图2 传动系统
Fig.2 Driving system

Ⓐ) CPC40/45-XRG76
Ⓜ) CPC40/45-XRG73

Ⓑ) CPC50-XRXG76
Ⓝ) CPC50-XRXG73

Ⓒ) CPC40/45-XRG75

Ⓓ) CPC50-XRXG75



序号 Item	物料码 Part No.	名称 Description	数量 Qty	备注或适用车型 Remarks or Serial No.
1	20110000020	驱动桥 Drive axle	1	
2	201200080333	变速左支架 Mechanical transmission left bracket	1	
3	300010040019	螺栓 M10×50 Bolt M10×50	10	
4	300050030001	销 10×18 Pin 10×18	2	
5	810120000147	1598H 密封胶 1598H Salant	1	
6	300030090008	垫圈 14 Washer 14	12	
7	300010040054	螺栓 M14×35 Bolt M14×35	12	
8	201300000011	主减速器 Reduction transmission	1	
9	310010010038	螺栓 Bolt	8	<2018-05-26
9	310010010053	螺栓 Bolt	8	≥2018-05-26
10	201200010023	传动轴总成 Driving shaft	1	
11	300030010003	垫圈 14 Washer 14	8	
12	300020140007	螺母 M14 Nut M14	8	
13	300010040033	螺栓 M12×30 Bolt M12×30	8	

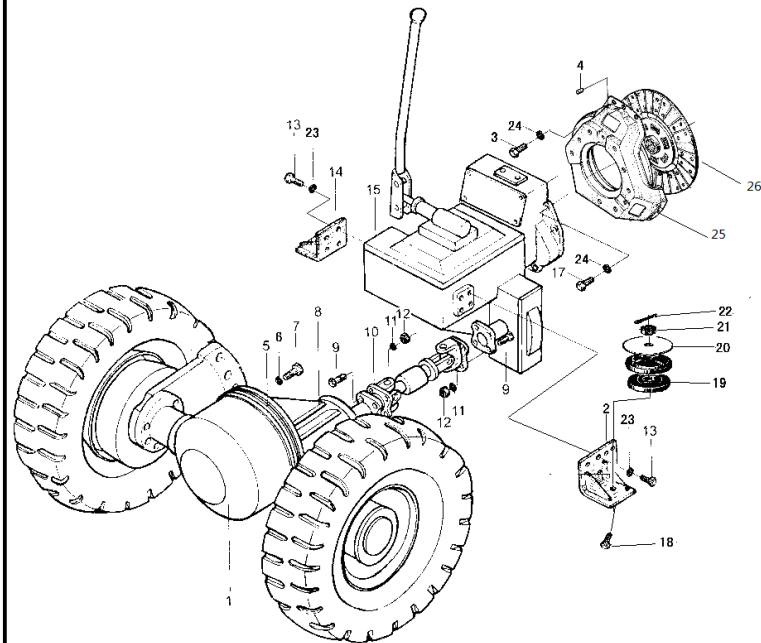
图2 传动系统
Fig.2 Driving system

Ⓐ) CPC40/45-XRG76
Ⓜ) CPC40/45-XRG73

Ⓑ) CPC50-XRXG76
Ⓝ) CPC50-XRXG73

Ⓒ) CPC40/45-XRG75

Ⓓ) CPC50-XRXG75

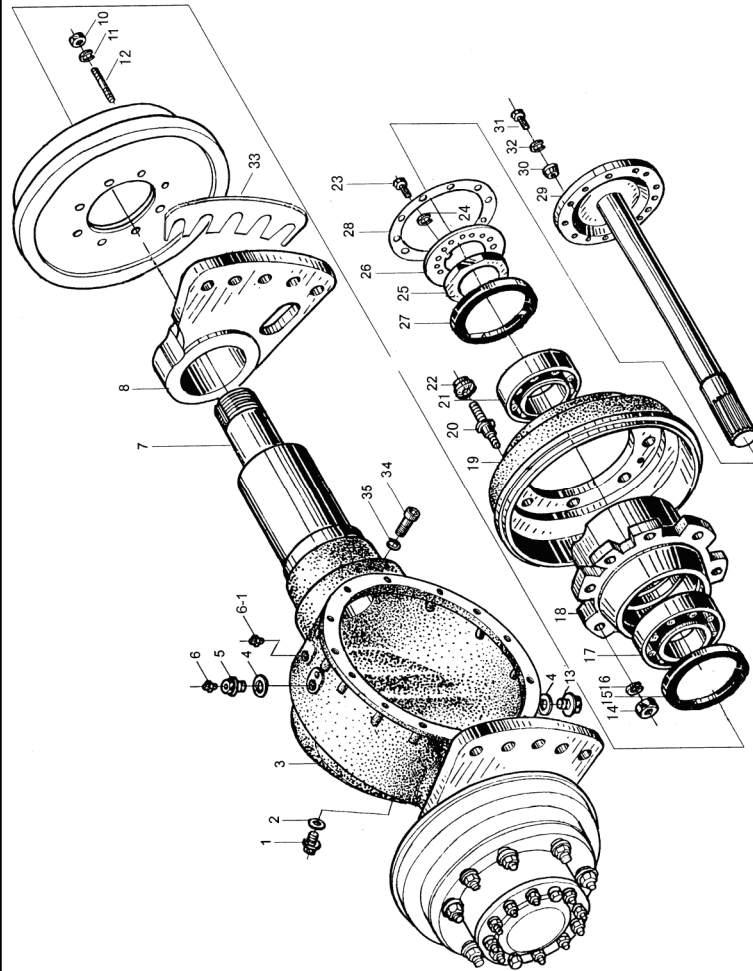


序号 Item	物料码 Part No.	名称 Description	数量 Qty	备注或适用车型 Remarks or Serial No.
14	201200080328	变速器右支架 Mechanical transmission right bracket	1	
15	201200000352	机械变速箱 Transmission	1	
17	300010040013	螺栓 M10×35 Bolt M10×35	12	
18	310010010039	螺栓 Bolt	2	
19	201200070007	减震垫 Anti-vibration pad	2	
20	201200100002	垫片 Gasket	2	
21	300020090008	螺母 M24 Nut M24	2	
22	300050010058	销 5×50 Pin 5×50	2	
23	300030010002	垫圈 12 Washer 12	8	
24	300030010001	垫圈 10 Washer 10	22	
25	201400000022	离合器压盘及盖总成 Press disc and case assy	1	Ⓐ) Ⓒ)
25	201400130013		1	Ⓑ) Ⓓ)
26	201400100027	离合器从动盘总成 Clutch driven disc assy	1	Ⓐ) Ⓒ)
25	201400100017	离合器从动盘总成 Clutch driven disc assy	1	Ⓑ) Ⓓ)

图3 驱动桥
Fig.3 Drive axle

<2019-1-29

全部车型
All models of truck

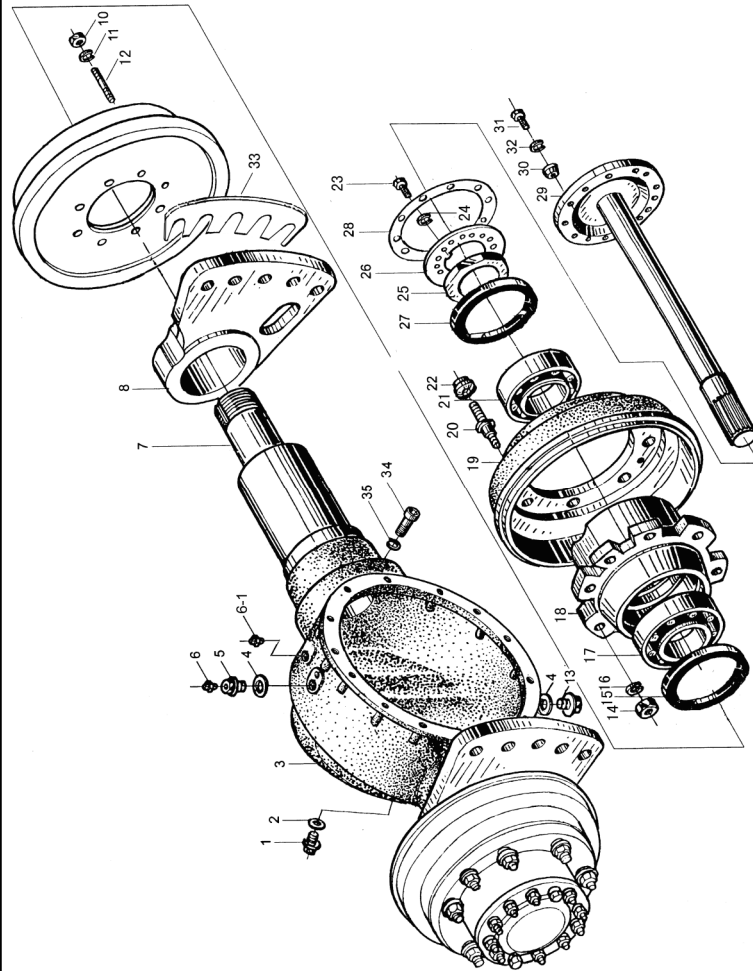


序号 Item	物料码 Part No.	名称 Description	数量 Qty	备注或适用车型 Remarks or Serial No.
1	300270010006	螺塞 M16×1.5 Plug M16×1.5	1	
2	300030140004	垫圈 16 Washer 16	1	
A1	201100100040	桥体 Axle	1	液力叉车Hydraulic Forklift ,INC:3,7,34,35
A2	201100000020	桥体 Axle	1	机械车 Mechanical forklift INC:3,7,34,35
3	NO PART NO.	桥壳 Axle housing	1	(A1) 不单独提供 Do not supply separately
3	NO PART NO.	桥壳 Axle housing	1	(A2) 不单独提供 Do not supply separately
4	300030140016	垫圈 22 Washer 22	2	
5	201100050038	螺塞 Plug	1	
6	201100050029	呼吸器 breathing	1	
7	NO PART NO.	轴管 Bushing	2	(A1) 不单独提供 Do not supply separately
7	NO PART NO.	左轴管 Left Bushing	1	(A2) 不单独提供 Do not supply separately
7	NO PART NO.	右轴管 Right Bushing	1	(A2) 不单独提供 Do not supply separately
8	201100250108	左支撑板 Left Plate	1	液力叉车 Hydraulic Forklif
8	201100250098	右支撑板 Right Plate	1	液力叉车 Hydraulic Forklif
8	201100250027	左支撑板 Left Plate	1	机械叉车 Mechanical forklift

图3 驱动桥
Fig.3 Drive axle

<2019-1-29

全部车型
All models of truck

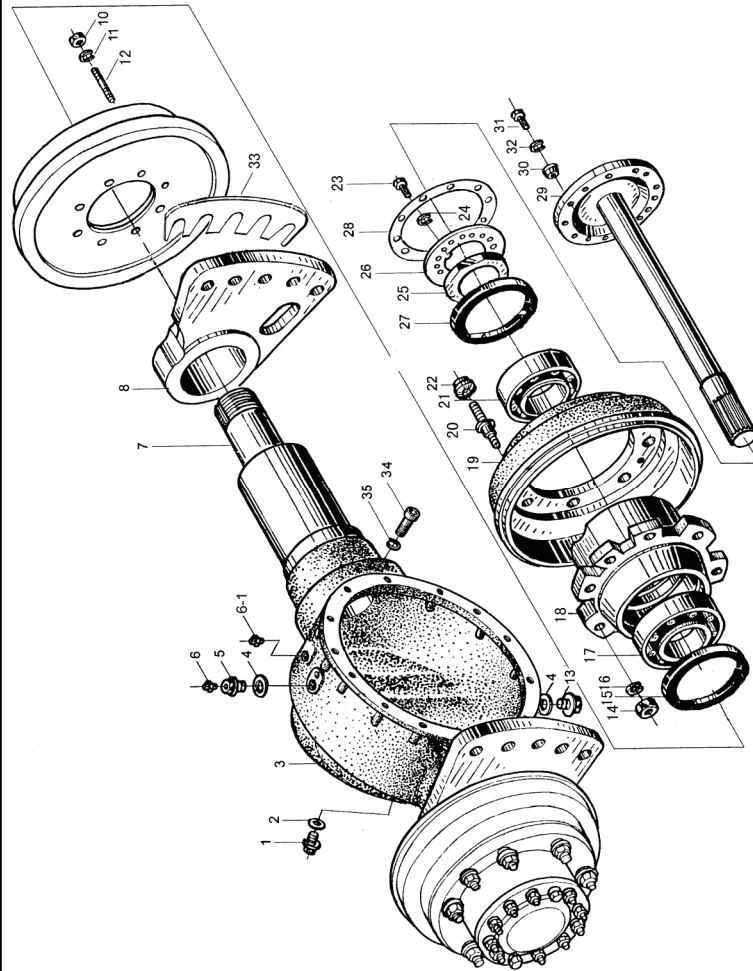


序号 Item	物料码 Part No.	名称 Description	数量 Qty	备注或适用车型 Remarks or Serial No.
8	201100250012	右支撑板 Right Plate	1	机械叉车 Mechanical forklift
9		右制动器 Right Brake	1	见图6 See Fig.6
9		左制动器 Left Brake	1	见图6 See Fig.6
11	300030010004	垫圈 16 Washer 16	16	
12	310010020066	制动器连接螺栓 Bolt	16	液力叉车 Hydraulic Forklift
12	310010020046	制动器连接螺栓 Bolt	16	机械叉车 Mechanical forklift
13	300270020004	螺塞 M22×1.5 Plug	1	
14	300020020009	螺母 M20×1.5 Nut	16	
15	300320040037	油封 PD160×115×14 Oil seal	2	
16	300030010006	垫圈 20 Washer	16	
17	300140020014	轴承 32217 Bearing	2	
18	201100090008	轮毂 Hub	2	
19	201100170019	制动鼓 Brake drum	2	
20	201100020017	轮毂螺栓 Hub bolt	16	单轮 Single tyre
20	201100020022	轮毂螺栓 Bolt, Hub	16	双轮 Double tyre

图3 驱动桥
Fig.3 Drive axle

<2019-1-29

全部车型
All models of truck

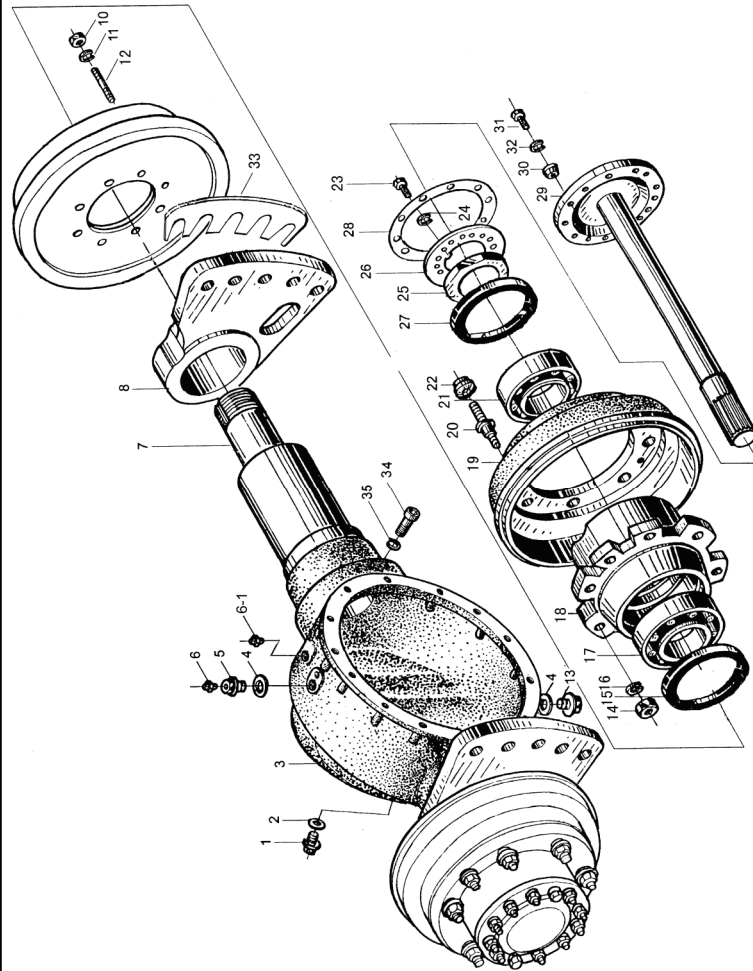


序号 Item	物料码 Part No.	名称 Description	数量 Qty	备注或适用车型 Remarks or Serial No.
21	300140020072	轴承 7815 Bearing	2	
22	201100080004	轮毂螺母 Hub nut	16	单轮 Single tyre
22	310020010049	螺母 Nut	16	双轮 Double tyre 见图 5 See Fig.5 Item 3
22	310020010048	螺母 Nut	16	双轮 Double tyre 见图 5 See Fig.5 Item 1
23	300010040145	螺栓 M6×12 Bolt M6×12	4	
24	300030010014	垫圈 6 Washer 6	4	
25	201100080009	锁紧螺母 Lock nut	2	
26	201100110002	锁紧片 Lock washer	2	
27	300320040010	油封 PD140×110×14 Oil seal	2	
28	201100160018	纸垫 Gasket	2	
29	201100010009	半轴 Half-axle	2	液力叉车 Hydraulic Forklif
29	201100010003	左半轴 Left Half-axle	1	机械叉车 Mechanical forklift
29	201100010002	右半轴 Right Half-axle	1	机械叉车 Mechanical forklift
30	201100070009	压紧衬套 Clamp split-ring	24	

图3 驱动桥
Fig.3 Drive axle

<2019-1-29

全部车型
All models of truck

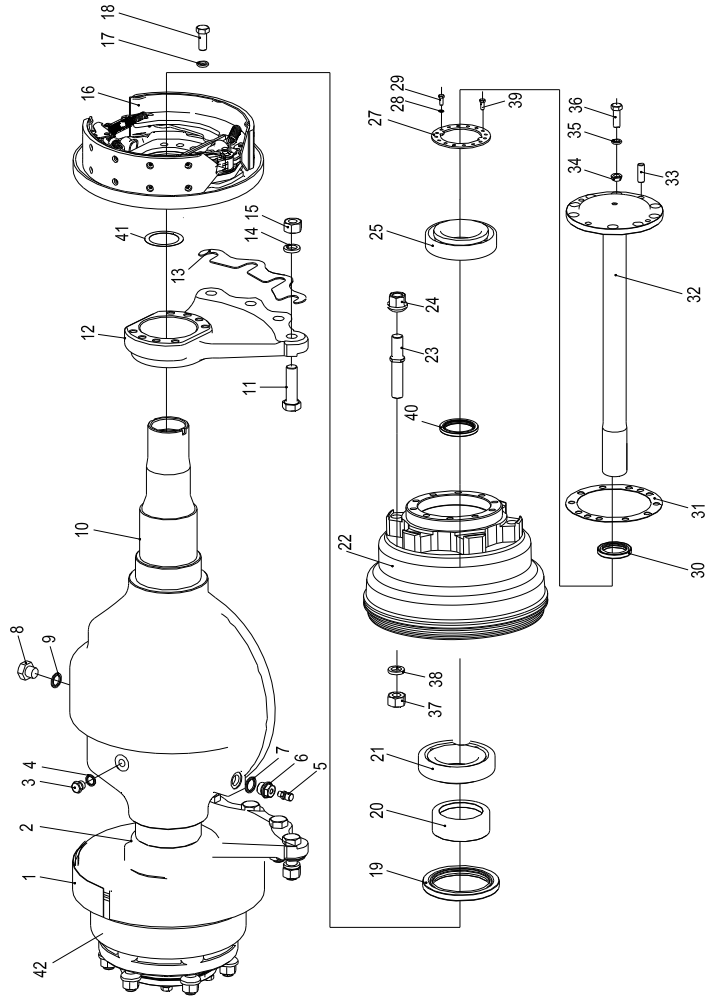


序号 Item	物料码 Part No.	名称 Description	数量 Qty	备注或适用车型 Remarks or Serial No.
31	310010020035	螺栓 Bolt	24	
32	300030010002	垫圈 12 Washer	24	
33	201100160006	垫板 Plate	1	
34	300040020080	螺钉 M12×30 Screw M12×30	2	
35	300030010002	垫圈 12 Washer 12	2	

图 3-1 驱动桥总成
Fig.3-1 Drive axle assy

≥2019-1-29

全部车型
All models of truck



序号 Item	物料码 Part No.	名称 Description	数量 Qty	备注或适用车型 Remarks or Serial No.
A1	A460-110000-001	驱动桥总成 Drive axle assy	1	液力叉车 Hydraulic Forklift
A2	A450-110000-001	驱动桥总成 Drive axle assy	1	机械叉车 Mechanical forklift
1	图 7 Fig.7	左制动器总成 Brake assy,LH	1	
2	R450-110001-001	左支撑板 Left Plate	1	液力叉车 Hydraulic Forklift
2	R441-110001-000	左支撑板 Left Plate	1	机械叉车 Mechanical forklift
3	J001000-0161P5-00	螺塞 M16×1.5 Plug M16×1.5	1	
4	J000982-000016-00	垫圈 16 Washer 16	1	
5	XB450-115000-000	呼吸器 Vented plug	1	
6	RC250-110004-000	螺塞 Plug	1	
7	J000982-000022-00	垫圈 22 Washer 22	1	
8	J001001-0221P5-00	螺塞 M22×1.5 Plug	1	
9	J000982-000022-00	垫圈 22 Washer 22	1	
10	A460-111001-001	桥体 Axle	1	≥2019-03-01 液力叉车 Hydraulic Forklift
10	A450-111001-001	桥体 Axle	1	机械叉车 Mechanical forklift

图 3-1 驱动桥
Fig.3-1 Drive axle

≥2019-1-29

全部车型
All models of truck

序号 Item	物料码 Part No.	名称 Description	数量 Qty	备注或适用车型 Remarks or Serial No.
10	A460-111001-000	桥体 Axle	1	<2019-03-01 液力叉车 Hydraulic Forklift
11	G000027-024080-01	连接螺栓 Bolt	10	
12	R450-110002-001	右支撑板 Right Plate	1	液力叉车 Hydraulic Forklift
12	R441-110002-000	右支撑板 Right Plate	1	机械叉车 Mechanical forklift
13	R450-110009-000	垫板 Plate	2	
14	G007244-000024-00	垫圈 24 Washer 24	10	
15	G006170-000024-01	螺母 M24 Nut M24	10	
16	或图 7 Fig.7	右制动器总成 Brake assy,RH	1	
17	G000093-000016-00	垫圈 16 Washer 16	16	
18	R450-110010-000	螺栓 Bolt,	16	
19	A450-115000-G00	油封 PD170×120×12 Oil seal	2	
20	A450-110003-001	油封座 Oil Seat	2	
21	A450-112000-G00	轴承 7219E Bearing	2	
22	A450-110004-001	轮毂 Hub	2	

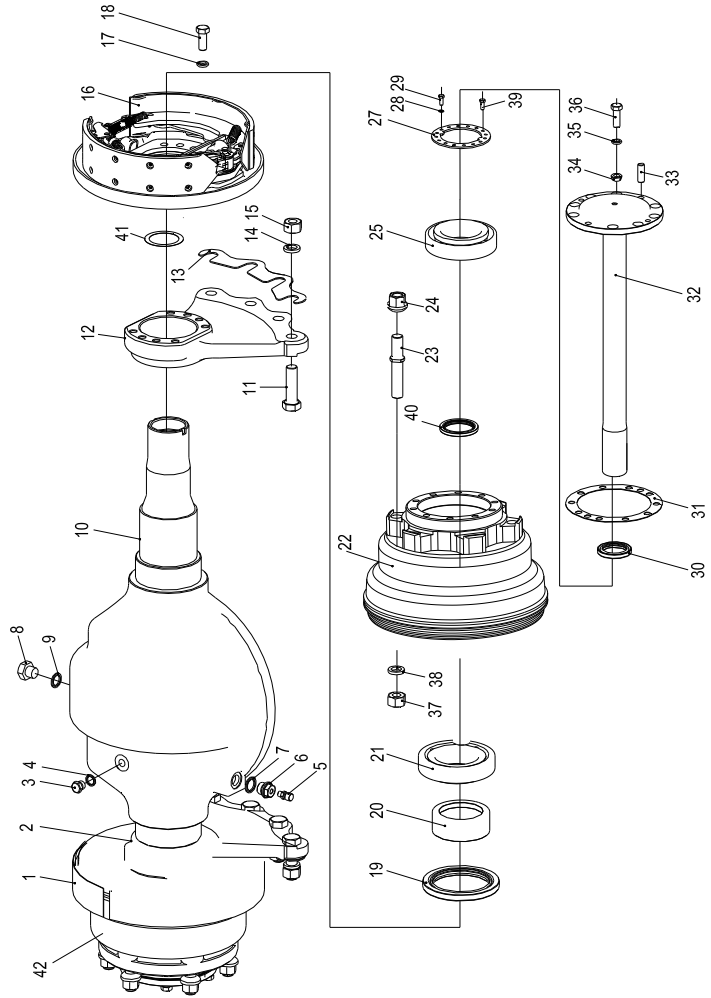
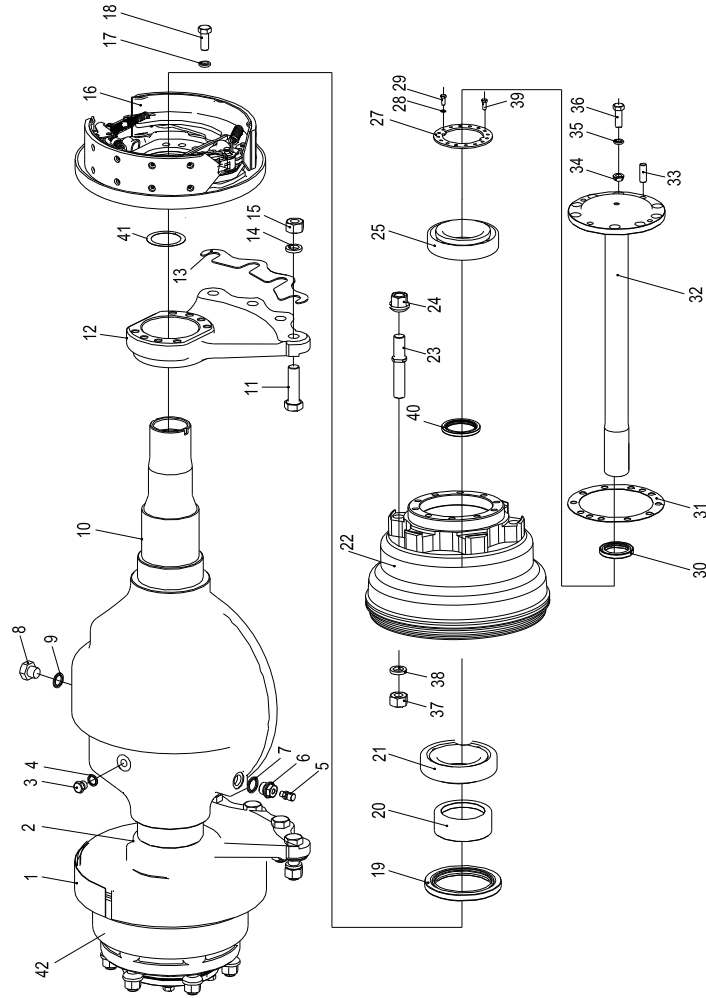


图 3-1 驱动桥总成
Fig.3-1 Drive axle assy

≥2019-1-29

全部车型
All models of truck

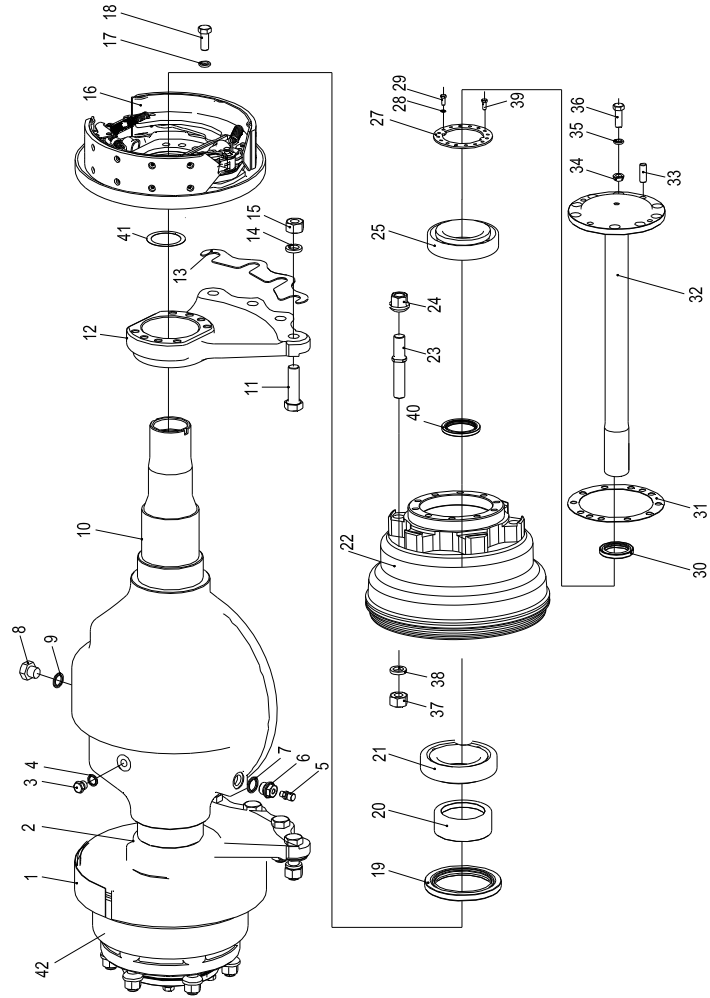


序号 Item	物料码 Part No.	名称 Description	数量 Qty	备注或适用车型 Remarks or Serial No.
23	R450-110007-000	轮毂螺栓 Bolt, Hub	16	3.0t-3.8t 单轮 Single tyre
23	R450-110002-500	轮毂螺栓 Bolt, Hub	16	3.0t-3.8t 双轮 Double tyre
22	N163-110015-000	轮毂螺母 Hub nut	16	单轮 Single tyre
25	A450-113000-G00	轴承 32216 Bearing	2	
27	A450-110001-000	锁紧片 Lock washer	2	
28	G000093-000006-00	垫圈 6 Washer 6	4	
29	G005783-006012-00	螺栓 M6×12 Bolt M6×12	4	
30	G9877P1-140011514-01	油封 FB115×140×14 Oil seal	2	
31	R450-110008-000	纸垫 Gasket	2	
32	R450-110005-000	半轴 Half shaft	2	液力叉车 Hydraulic Forklift
32	JP451-110001-000	左半轴 Half shaft, left	1	机械叉车 Mechanical forklift
32	JP451-110002-000	右半轴 Half shaft, right	1	机械叉车 Mechanical forklift
33	G000119-012035-03	销 D12×35 Pin D12×35	2	
34	N163-110019-000	压紧衬套 Clamp split-ring	20	
35	G000093-000012-00	垫圈 12 Washer 12	20	

图 3-1 驱动桥总成
Fig.3-1 Drive axle assy

≥2019-1-29

全部车型
All models of truck



序号 Item	物料码 Part No.	名称 Description	数量 Qty	备注或适用车型 Remarks or Serial No.
36	N163-110021-000	螺栓 Bolt	20	
37	G006171-000020-02	螺母 M20×1.5 Nut	16	
38	G000093-000020-00	垫圈 20 Washer	16	
39	A450-110002-000	锁紧螺母 Lock nut	2	
40	G9877P1-051209012-00	油封 B120×90×12 Oil seal	2	≥2019-03-01
41	GT34521-01002P65-01	O 形密封圈 100×2.65 Oil seal	2	≥2019-03-01
42	R450-110004-001	制动鼓 Brake drum	2	

图4 前轮（单轮）
Fig.4 Front wheel (Single tyre)

单轮 全部车型
Single tyre All models of truck



序号 Item	物料码 Part No.	名称 Description	数量 Qty	备注或适用车型 Remarks or Serial No.
1	201500040037	轮辋总成 Wheel rim	2	4.5-5t 黑色 Black
1	201500040044	轮辋总成 Wheel rim	2	4t 黑色 Black
2	300150040017	充气轮胎 300-15-18PR Pneumatic tyre	2	4.5~5t 标配 Standard
2	300150040059	充气轮胎 8.25-15-14PR Pneumatic tyre	2	4t 标配 Optional
2	300150010076	实心胎 300-15 Solid tyre	2	4.5~5t 选配 Optional
2	300150010014	实心胎 8.25-15 Solid tyre	2	4t 选配 Optional

图5 前轮（双轮）
Fig.5 Front wheel (Double tyre)

双轮 全部车型
Double tyre All models of truck

序号 Item	物料码 Part No.	名称 Description	数量 Qty	备注或适用车型 Remarks or Serial No.
1	310020010048	螺母 Nut	16	
2	201500040046	轮辋总成 Wheel rim	2	黑色 Black
3	310020010049	螺母 Nut	16	
4	300150040059	充气轮胎 8.25-15-14PR Pneumatic tyre	4	标配 Standard
4	300150010014	实心胎 8.25-15 Solid tyre	4	选配 Optional
5	201100020022	轮毂螺栓 Hub bolt	16	
6	201500040045	轮辋总成 Wheel rim	2	黑色 Black
7	300030010006	垫圈 20 Washer 20	16	
8	300020020009	螺母 M20×1.5 Nut M20×1.5	16	
9	201500050009	气门接长管 Extension tube	2	充气轮胎 Inflated Tyre
10	204002010140	左挡泥板 Fender left	1	
11	204002010130	右挡泥板 Fender right	1	
12	300010040041	螺栓 M12×50 Bolt M12×50	8	
13	300030040003	垫圈 12 Washer 12	8	
14	300030190002	垫圈 12 Washer 12	8	

图6 制动器
Fig.6 Wheel brake

全部车型
All models of truck

序号 Item	物料码 Part No.	名称 Description	数量 Qty	备注或适用车型 Remarks or Serial No.
A1	201700000183	左制动器总成 Brake assy,LH	1	
A3	201700000178	右制动器总成 Brake assy,RH	1	
1	810120000106	罩壳 Encloser	1	
2	810120000107	螺栓 Bolt	2	
3	810120000108	弹簧垫圈 Spring washer	2	
4	810120000109	制动底板(左) Brake plate,LH	1	
4	810120000110	制动底板(右) Brake plate,RH	1	
5	810120000111	制动分泵总成 Wheel cylinder assy	1	
6	810120000112	制动蹄带摩擦片总成 Brake shoe	2	
7	810120000145	回位弹簧销 Pin, back spring	2	
8	810120000114	销 1 Pin 1	1	
9	810120000115	销 2 Pin 2	1	
10	810120000116	上拉杆(左) Upper link,LH	1	
10	810120000117	上拉杆(右) Upper link,RH	1	
11	810120000373	回位弹簧 Back spring	2	

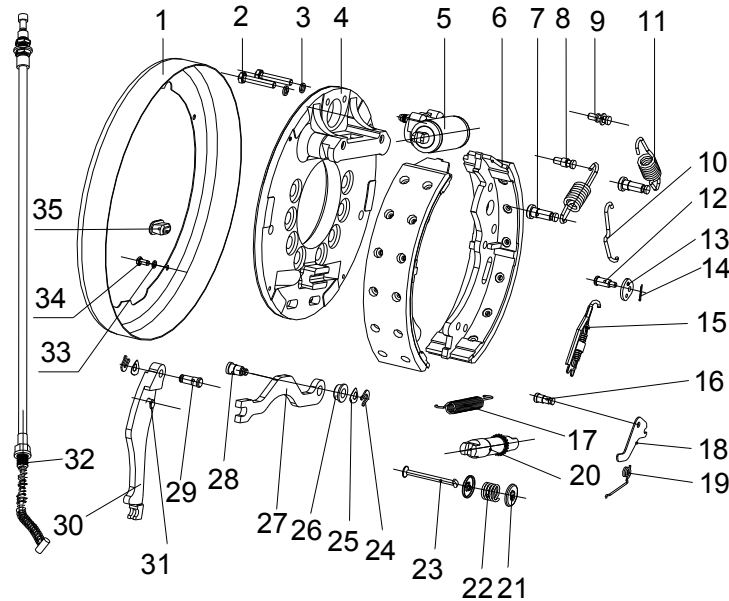


图6 制动器
Fig.6 Wheel brake

全部车型
All models of truck

序号 Item	物料码 Part No.	名称 Description	数量 Qty	备注或适用车型 Remarks or Serial No.
12	201700000183	摇臂销 Pin, rocker arm	1	
13	201700000178	摇臂 Rocker arm	1	
14	810120000106	开口销 Split pin	1	
15	810120000107	弹簧铆接装置 Spring & fitting assy	1	
16	810120000108	扭簧销 Pin, torsion spring	1	
17	810120000109	下拉簧 Extension spring	1	
18	810120000110	棘爪 Lever	1	
19	810120000111	扭簧(左) Torsion spring, LH	1	
19	810120000112	扭簧(右) Torsion spring, RH	1	
20	810120000145	调整器总成(左) Adjusting cover, LH	1	
20	810120000114	调整器总成(右) Adjusting cover, RH	1	
21	810120000115	压簧座 compression spring seat	4	
22	810120000116	压簧 Compression spring	2	
23	810120000117	压簧拉杆 Pull bar	2	
24	810120000118	挡圈 Retaining ring	2	

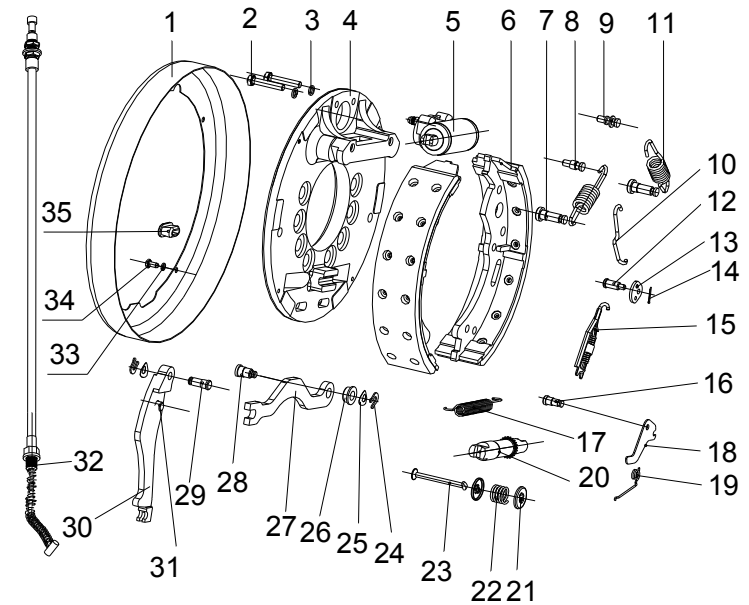


图6 制动器
Fig.6 Wheel brake

全部车型
All models of truck

序号 Item	物料码 Part No.	名称 Description	数量 Qty	备注或适用车型 Remarks or Serial No.
25	81012000029	弹性垫片 Elastic packin	2	
26	810120000135	衬套 Bushing	1	
27	810120000136	手制动推杆 Lever pushing	1	
28	810120000137	推杆销 Pin	1	
29	810120000009	拉杆销 Pin	1	
30	810120000139	手制动拉杆(左) Lever parking,LH	1	
30	810120000145	手制动拉杆(右) Lever parking,RH	1	
31	810120000141	销 Pin	1	
32	201700050002	手制动拉索,左 Parking brake cable,LH	1	
32	201700050001	手制动拉索,右 Parking brake cable,RH	1	
33	810120000142	弹簧垫圈 Spring washer	4	
34	810120000143	螺栓 Bolt	4	
35	810120000144	胶堵 Rubber plug	2	

图7 液力变速箱(其1)(绍兴)(ShaoXin)
Fig.7 Hydrodynamic gear-box(part-1)

4.0-X5t
液力变速箱 Hydrodynamic gear-box

序号 Item	物料码 Code No.	名称 Description	数量 Qty	备注或适用车型 Remarks or Serial No.
1	810110000301	调整垫片 Adjusting shim	按需 need	
2	810110000302	轴承 NUP306EM Bearing	1	
3	810110000303	螺旋齿轮组件 Helical gear assy	1	见图10 序号11
4	810110000304	轴承 31312 Bearing 31312	1	
5	810110000305	O 形密封圈 150×3.1 O-ring 150×3.1	1	
6	810110000306	轴承座 Cap,bearing	1	
7	810110000307	双向油封 Two-way oil seal	1	
8	810110000308	O 形密封圈 60×3.1 O-ring 60×3.1	1	
9	810110000309	隔套 Spacer	1	
10	810110000310	调整垫 Adjustable pad ($\delta=0.1,0.2,0.5$)	按需 need	
11	810110000311	轴承 31311 Bearing 31311	1	
12	810110000312	螺母 Nut	1	
13	810110000313	弹簧垫圈 14 Spring washer 14	6	
14	810110000314	螺栓M14×1.5×40 Bolt M14×1.5×40	6	
15	810110000315	油管 Oil pipe	1	

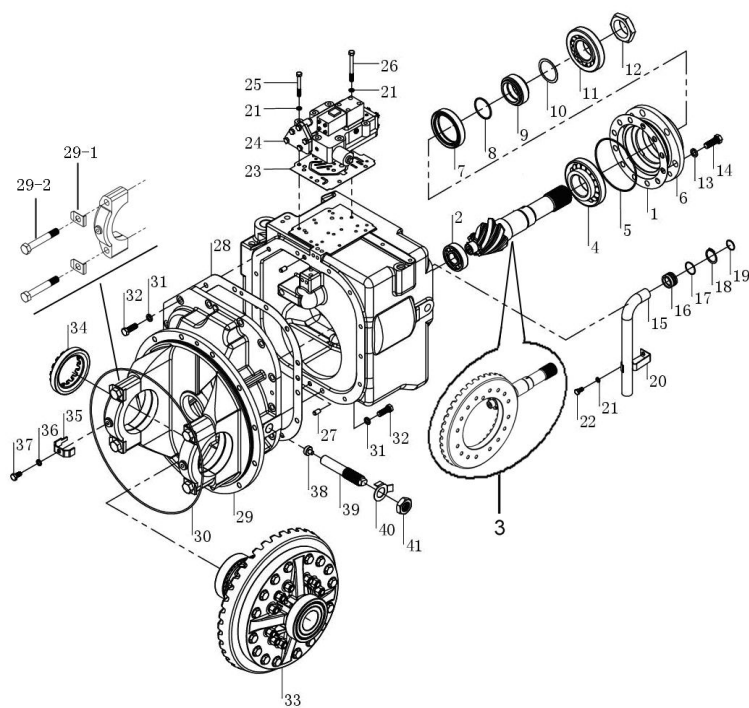


图7 液力变速箱(其1)(绍兴)(ShaoXin)
Fig.7 Hydrodynamic gear-box(part-1)

4.0-X5t
液力变速箱 Hydrodynamic gear-box

序号 Item	物料码 Code No.	名称 Description	数量 Qty	备注或适用车型 Remarks or Serial No.
16	810110000316	连接块 Connection bloc	1	
17	810110000317	O 形密封圈 31.5×1.8 O-ring 31.5×1.8	1	
18	810110000234	轴用弹性挡圈 35 circlip for shaft 35	1	
19	810110000319	O 形密封圈 25×1.8 O-ring 25×1.8	1	
20	810110000322	固定卡板 Fixed card board	1	
21	810110000061	弹簧垫圈 8 Spring washer 8	9	
22	810110000324	螺栓 M8×16 Bolt M8×16	1	
23	810110000325	纸垫 Paper washer	1	
24	见图 9 See Fig 9	控制阀总成 Control valve assy	1	
25	810110000326	螺栓 M8×65 Bolt M8×65	7	
26	810110000327	螺栓 M8×90 Bolt M8×90	1	
27	810110000328	圆柱销 B10×20 Straight pin B10×20	2	
28	810110000329	纸垫 Paper washer	1	
29	810110000330	减速架组件 Case assy, reducer	1	
29-1	810110000331	锁片 locking plate	4	

图7 液力变速箱(其1)(绍兴)(ShaoXin)
Fig.7 Hydrodynamic gear-box(part-1)

4.0-X5t
液力变速箱 Hydrodynamic gear-box

序号 Item	物料码 Code No.	名称 Description	数量 Qty	备注或适用车型 Remarks or Serial No.
29-2	810110000332	螺栓 Bolt	4	
30	810110000335	O形密封圈 O-ring	1	
31	810110000336	弹簧垫圈 12 Spring washer 12	14	
32	810110000337	螺栓M12×1.25×35 Bolt M12×1.25×35	14	
33	810110000338	差速器总成 Differential mechanism	1	见图 10 See Fig.10
33	810110000334	螺母 M18×1.5 Nut M18×1.5	4	
34	810110000339	调整螺母 adjusting nut	2	
35	810110000340	锁片 locking plate	2	
36	810110000034	弹簧垫圈 10 Spring washer 10	2	
37	810110000342	六角头带孔螺栓 hexagon-headed bolt with hole	2	头部带孔 hexagon head bolt with hole
38	810110000343	滑块 slide block	1	
39	810110000344	螺柱 Double-screw bolt	1	
40	810110000345	止动垫圈 tab washer	1	
41	810110000346	螺母 M27×2 Nut M27×2	1	

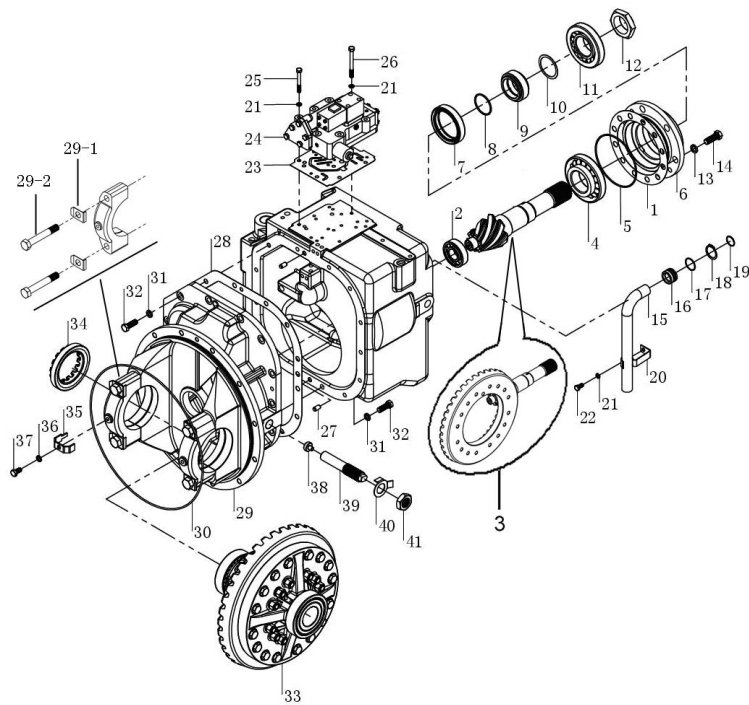


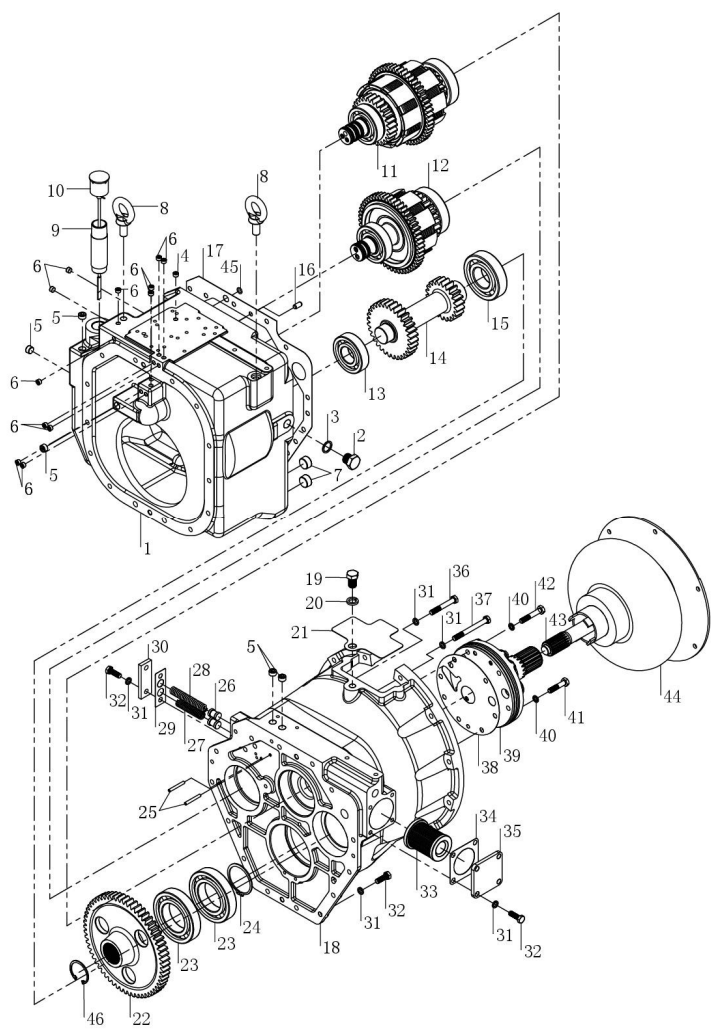
图8 液力变速箱(其2) (绍兴) (ShaoXin)
Fig.8 Hydrodynamic gear-box(part-2)

4.0-X5t
液力变速箱 Hydrodynamic gear-box

序号 Item	物料码 Code No.	名称 Description	数量 Qty	备注或适用车型 Remarks or Serial No.
1	810110000347	箱体 Case, gear-box	1	
2	810110000348	螺塞 Plug screw	1	
3	810110000349	密封圈 22×28×2 seal ring 22×28×2	1	
4	810110000350	阻尼塞 Plug,Damping	1	
5	810110000351	螺塞 R3/8 Plug screw R3/8	6	
6	810110000352	螺塞 R1/8 Plug screw R1/8	12	
7	810110000353	螺塞 R3/4 Plug screw R3/4	2	
8	810110000354	吊环螺钉 M16×35 lifting bolt M16×35	2	
9	810110000355	进油管 Oil inlet	1	
10	810110000356	加油器盖组件 Oiler cover assy	1	
11	810110000357	双向离合器总成 Double clutch assy	1	见图 11 See Fig.11
12	810110000358	单向离合器总成 One-way clutch	1	见图 12 See Fig.12
13	810110000359	轴承 6308 Bearing 6308	1	
14	810110000360	惰轮轴 Idler shaft	1	
15	810110000361	轴承 6310 Bearing 6310	1	

图8 液力变速箱(其2) (绍兴) (ShaoXin)
Fig.8 Hydrodynamic gear-box(part-2)

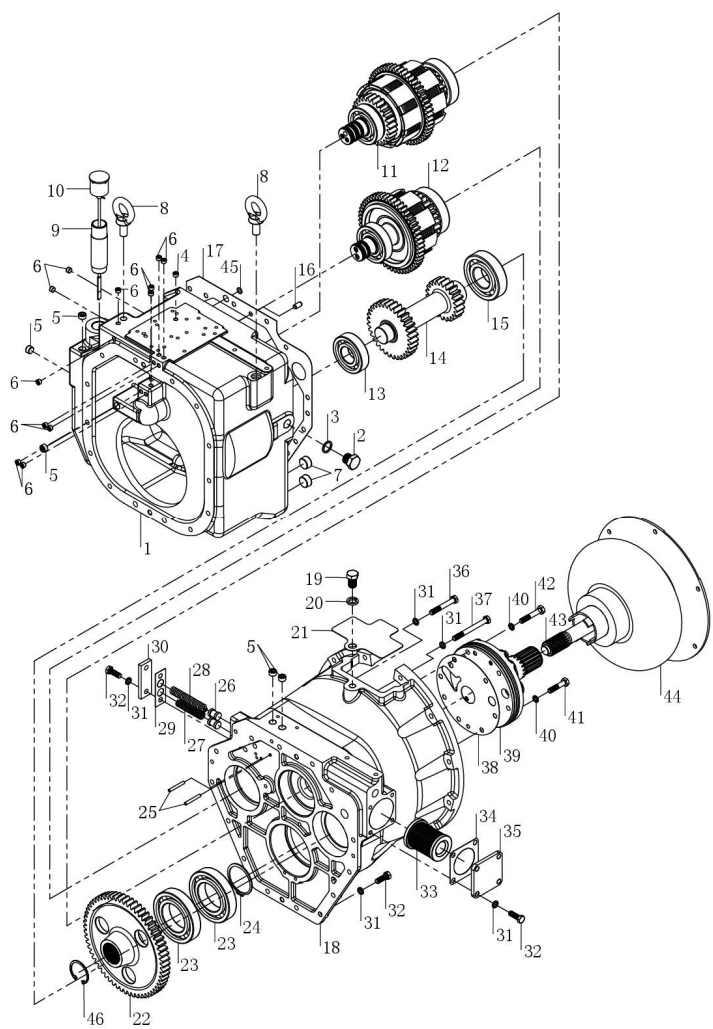
4.0-X5t
液力变速箱 Hydrodynamic gear-box



序号 Item	物料码 Code No.	名称 Description	数量 Qty	备注或适用车型 Remarks or Serial No.
16	810110000328	圆柱销 B10×20 Straight pin B10×20	2	
17	810110000363	纸垫 Paper washer	1	
18	810110000364	变矩器壳体 Case,Torque-converter	1	XYQXD
19	810110000365	螺栓 M16×25 Bolt M16×25	1	
20	810110000366	弹簧垫圈 16 Spring washer 16	1	
21	810110000367	盖板 Cover plate	1	
22	810110000368	输出齿轮 Gear,Output	1	
23	810110000369	轴承 6214 Bearing 6214	2	
24	810110000370	轴用弹性挡圈 70 Circlips For shaft 70	1	
25	810110000371	销子 Pin	2	
26	810110000372	活塞 Piston	2	
27	810110000373	弹簧 Spring	1	
28	810110000374	弹簧 Spring	1	
29	810110000375	密封垫 Gasket	1	
30	810110000376	盖 Cover	1	

图8 液力变速箱(其2) (绍兴) (ShaoXin)
Fig.8 Hydrodynamic gear-box(part-2)

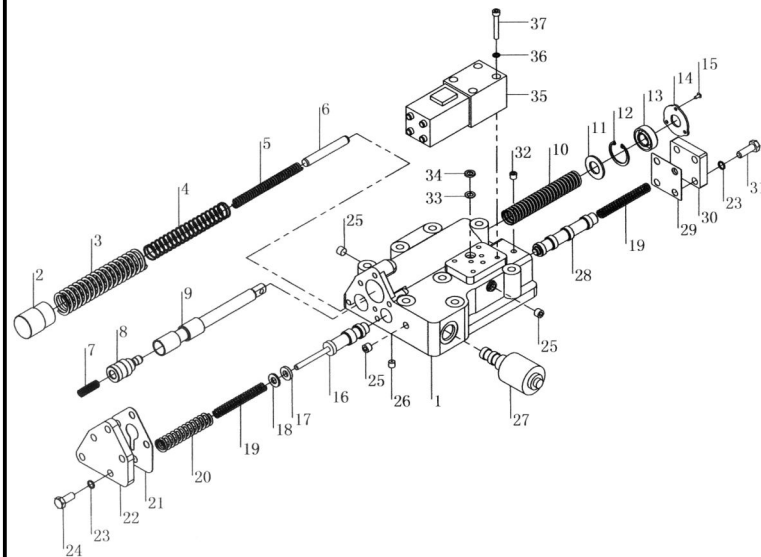
4.0-X5t
液力变速箱 Hydrodynamic gear-box



序号 Item	物料码 Code No.	名称 Description	数量 Qty	备注或适用车型 Remarks or Serial No.
31	81011000034	弹簧垫圈 10 Spring washer 10	21	
32	81011000378	螺栓 M10×1.25×30 Bolt M10×1.25×30	16	
33	81011000379	滤油器 Oil filter	1	
34	81011000380	纸垫 Paper washer	1	
35	81011000381	盖板 Cover plate	1	
36	81011000382	螺栓 M10×1.25×70 Bolt M10×1.25×70	2	
37	81011000383	螺栓 M10×1.25×100 Bolt M10×1.25×100	3	
38	81011000384	纸垫 Paper washer	1	
39	81011000385	油泵总成 Charging pump,assy	1	见图 13 See Fig.13
40	81011000386	组合密封垫 10 Combination gasket 10	7	
41	81011000387	螺栓 Bolt	5	
42	81011000389	螺栓 Bolt	2	
43	81011000390	涡轮轴 Turbine shaft	1	
44	81011000391	液力变矩器YJH315E-8 Torque-converter	1	XYQXD45A
44	81011000392	液力变矩器YJH315E-10 Torque-converter	1	XYQXD45

图9 控制阀总成(绍兴)
Fig.9 Control valve assy (ShaoXin)

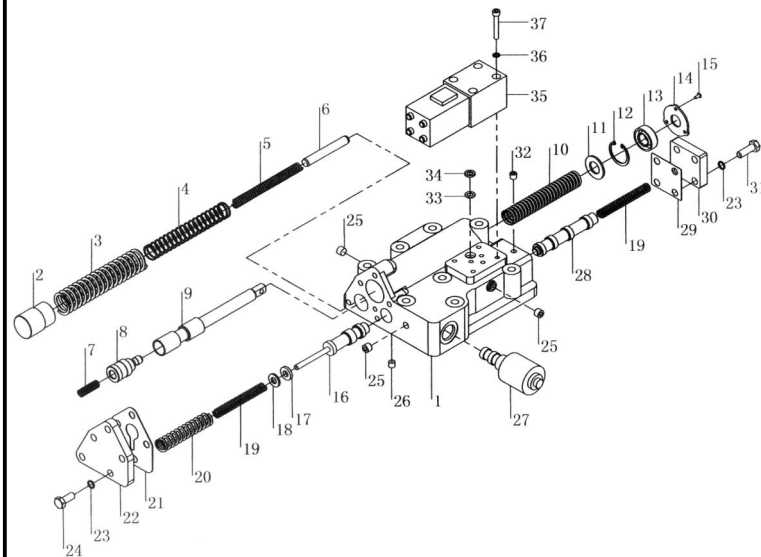
4.0-X5t XYQXD
液力变速箱 Hydrodynamic gear-box
(电磁阀换向) (Solenoid valve Commutation)



序号 Item	物料码 Code No.	名称 Description	数量 Qty	备注或适用车型 Remarks or Serial No.
A1	810110000395	控制阀总成 12V Control valve assy 12V	1	包含/INC:1-37
A1	810110000396	控制阀总成 24V Control valve assy 24V	1	包含/INC:1-37
A2	810110000397	控制阀 Control valve	1	包含/INC:1-26,28-34
1	810110000398	阀体 Body, valve	1	
2	810110000399	活塞 Piston	1	
3	810110000400	弹簧 Spring	1	
4	810110000401	弹簧 Spring	1	
5	810110000402	弹簧 Spring	1	
6	810110000403	圆柱销 B10×80 Straight pin B10×80	1	
7	810110000404	弹簧 Spring	1	
8	810110000405	滑阀 Slide valve	1	
9	810110000406	微动阀杆 Rod, inching valve	1	
10	810110000407	弹簧 Spring	1	
11	810110000408	垫圈 16 Washer 16	1	

图9 控制阀总成(绍兴)
Fig.9 Control valve assy (ShaoXin)

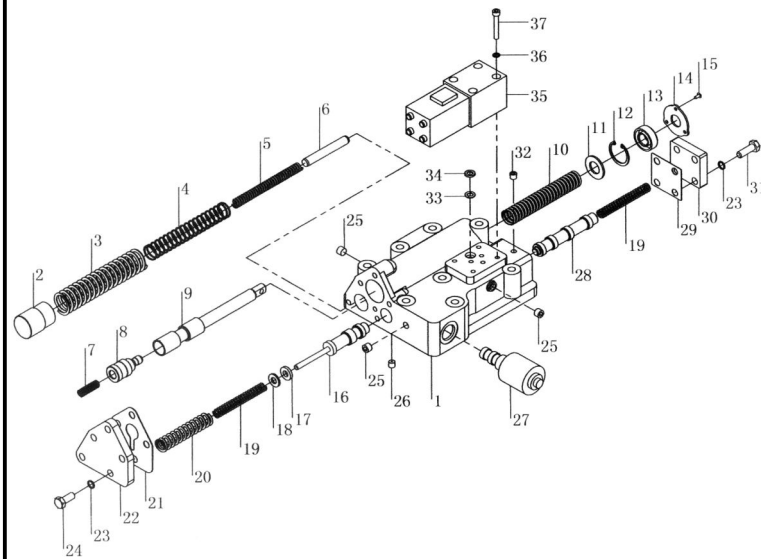
4.0-X5t
液力变速箱 Hydrodynamic gear-box
(电磁阀换向) (Solenoid valve Commutation)



序号 Item	物料码 Code No.	名称 Description	数量 Qty	备注或适用车型 Remarks or Serial No.
12	810110000409	挡圈 30 Retaining ring 30	1	
13	810110000410	油封 14×30×10 Oil seal 14×30×10	1	
14	810110000411	压盖 Gland	1	
15	810110000412	螺钉 M3×8 Screw M3×8	3	
16	810110000413	微调阀芯 valve core, Reset valve	1	
17	810110000414	调整垫片 Adjusting shim	1	
18	810110000415	垫圈 Washer	按需 need	
19	810110000416	弹簧 Spring	2	
20	810110000417	弹簧 Spring	1	
21	810110000418	衬垫 I Liner I	1	
22	810110000419	盖 Cover	1	
23	810110000420	垫圈 8 Washer 8	9	
24	810110000421	螺栓 M8×25 Bolt M8×25	5	
25	810110000422	圆锥螺堵 (ZG1/8") Plug ZG1/8	3	
26	810110000423	螺堵 Plug	1	

图9 控制阀总成(绍兴)
Fig.9 Control valve assy (ShaoXin)

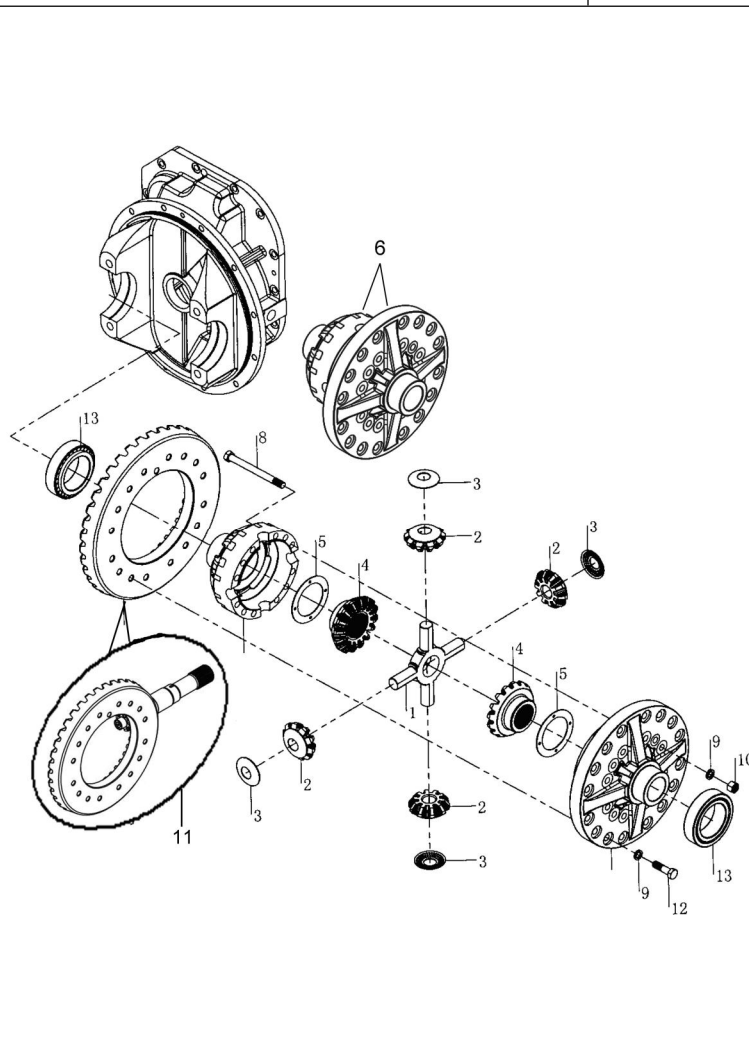
4.0-X5t
液力变速箱 Hydrodynamic gear-box
(电磁阀换向) (Solenoid valve Commutation)



序号 Item	物料码 Code No.	名称 Description	数量 Qty	备注或适用车型 Remarks or Serial No.
27	810110000424	12V 电磁阀 (速度) 12V Solenoid valve, speed	1	
27	810110000425	24V 电磁阀 (速度) 24V Solenoid valve, speed	1	
28	810110000426	滑阀 slide valve	1	
29	810110000427	衬垫 I Liner I	1	
30	810110000428	盖 I Cover I	1	
31	810110000429	螺栓 M8×20 Bolt M8×20	4	
32	810110000430	圆锥螺堵 ZG1/16"	1	
33	810110000142	O 形圈 12×2.4 O-ring 12×2.4	1	
34	810110000143	滤网 Filter screen	1	
35	810110000433	12V 电磁阀 (方向) 12V Solenoid Valve, Direction	1	
35	810110000434	24V 电磁阀 (方向) 24V Solenoid Valve, Direction	1	

图 10 差速器 (绍兴)
Fig.10 Differential (ShaoXin)

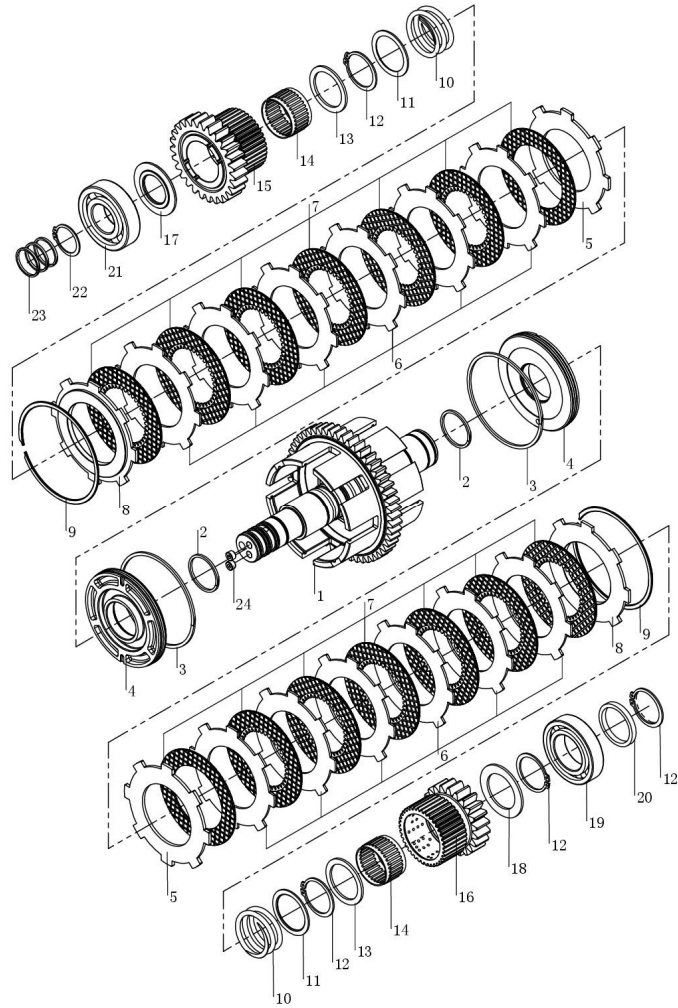
4.0-X5t
液力变速箱 Hydrodynamic gear-box



序号 Item	物料码 Code No.	名称 Description	数量 Qty	备注或适用车型 Remarks or Serial No.
A1	810110000338	差速器总成 Differential mechanism	1	包含/INC:1-13
1	810110000438	十字架 Cross	1	
2	810110000439	行星齿轮 Planetary gear	4	
3	810110000440	止推垫圈 Thrust washer	4	
4	810110000441	半轴齿轮 Axle shaft gear	2	
5	810110000442	垫圈 Washer	2	
6	810110000443	左右差速器壳组件 Case assy, Differential	1	
8	810110000444	螺栓 Bolt	12	
9	810110000313	弹簧垫圈 14 Spring washer 14	28	
10	810110000446	螺母 M14×1.5 Nut M14×1.5	12	
11	810110000303	螺旋齿轮组件 Helical gear assy	1	
12	810110000448	螺栓 M14×1.5×50 Bolt M14×1.5×50	16	
13	810110000449	轴承 33016 Bearing 33016	2	

图 11 双向离合器总成(液力式) (绍兴)
Fig.11 Two-way clutch(tor-con type)
(ShaoXin)

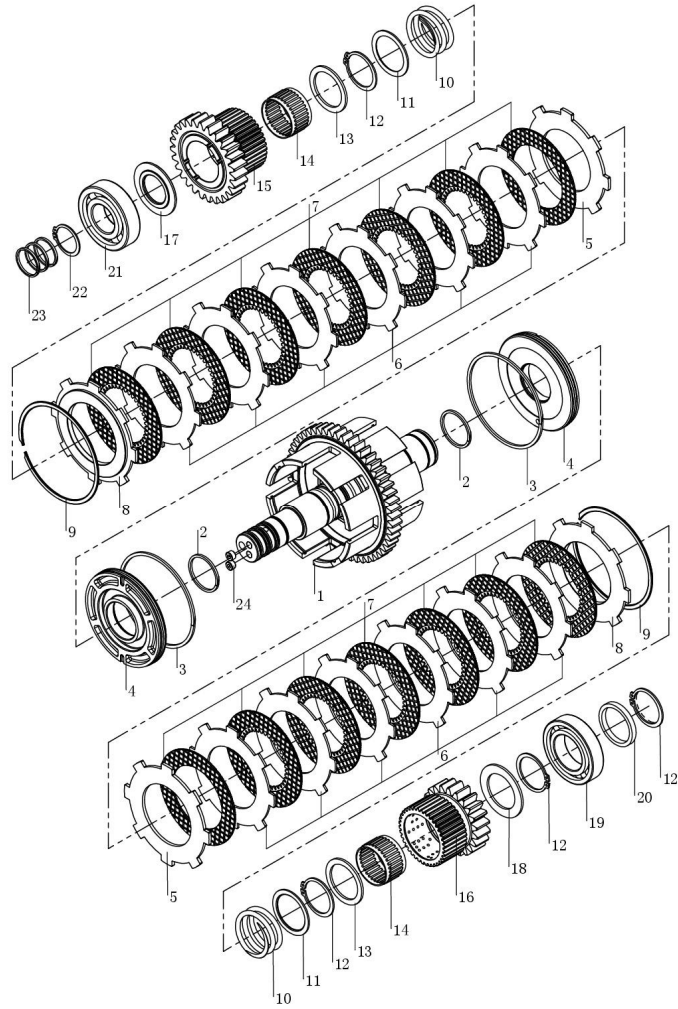
4.0-X5t
液力变速箱 Hydrodynamic gear-box



序号 Item	物料码 Code No.	名称 Description	数量 Qty	备注或适用车型 Remarks or Serial No.
A1	810110000357	双向离合器总成 Double clutch assy	1	包含/INC:1-24
1	810110000451	双向离合器毂组件 Double clutch hub assy	1	
2	810110000452	密封环 A Seal ring A	2	
3	810110000453	密封环 B Seal ring B	2	
4	810110000454	离合器活塞组件 Piston assy, clutch	2	
5	810110000455	端板 End-plate	2	
6	810110000456	分离片 Separate pieces	12	
7	810110000457	内摩擦片 Friction disc, Internal	14	
8	810110000458	挡板 Baffle	2	
9	810110000459	弹性挡圈 Elastic collar	2	
10	810110000460	弹簧 Spring	2	
11	810110000461	弹簧座 Spring seat	2	
12	810110000462	挡圈 50 Retaining ring 50	4	
13	810110000463	止推环 A Thrust collar A	2	
14	810110000464	滚针轴承 K505735 Bearing,needle	2	

图 11 双向离合器总成(液力式) (绍兴)
 Fig.11 Two-way clutch(tor-con type)
 (ShaoXin)

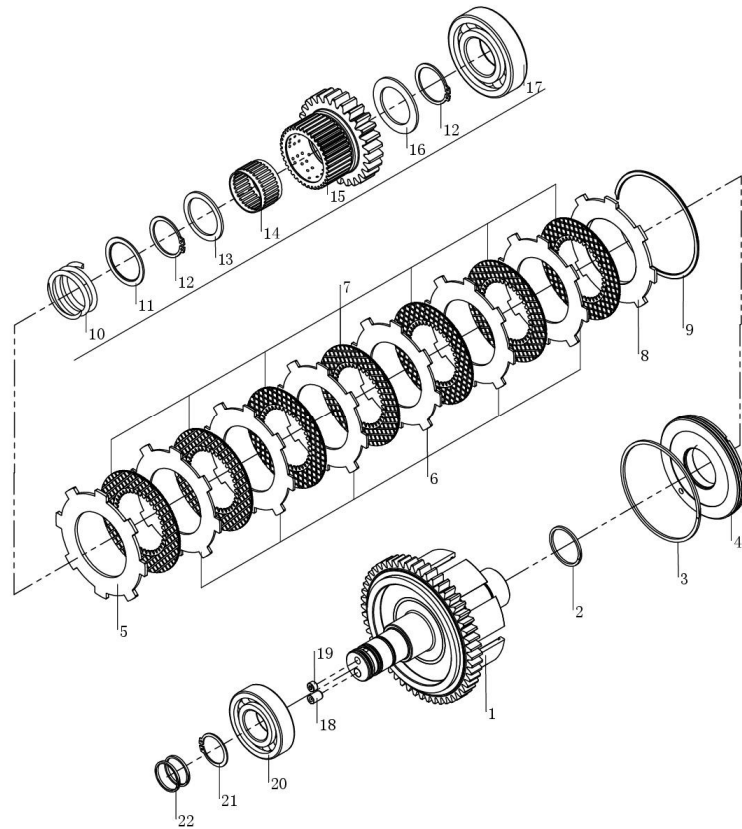
4.0-X5t
 液力变速箱 Hydrodynamic gear-box



序号 Item	物料码 Code No.	名称 Description	数量 Qty	备注或适用车型 Remarks or Serial No.
15	810110000465	前进 I 档齿轮 Gear, Forward I file	1	
16	810110000466	后退档齿轮 Gear, Reverse gears	1	
17	810110000467	止推垫 Gasket	1	
18	810110000468	止推环 B Thrust collar B	1	
19	810110000361	轴承 6310 Bearing 6310	1	
20	810110000470	密封圈 seal ring	1	
21	810110000359	轴承 6308 Bearing 6308	1	
22	810110000472	挡圈 40 Retaining ring 40	1	
23	810110000473	密封环 C Seal ring C	3	
24	810110000352	螺塞 R1/8 Plug screw R1/8	2	

图 12 单向离合器总成(液力式) (绍兴)
Fig.12 One-way clutch(tor-con type)
(ShaoXin)

4.0-X5t
液力变速箱 Hydrodynamic gear-box



序号 Item	物料码 Code No.	名称 Description	数量 Qty	备注或适用车型 Remarks or Serial No.
A1	810110000358	单向离合器总成 One-way clutch	1	包含/INC:1-22
1	810110000476	单向离合器毂组件 One-way clutch	1	
2	810110000452	密封环 A Seal ring A	1	
3	810110000453	密封环 B Seal ring B	1	
4	810110000454	离合器活塞组件 Piston assy, clutch	1	
5	810110000455	端板 End-plate	1	
6	810110000456	分离片 Separate pieces	6	
7	810110000457	内摩擦片 Friction disc, Internal	7	
8	810110000458	挡板 Baffle	1	
9	810110000459	弹性挡圈 Elastic collar	1	
10	810110000460	弹簧 Spring	1	
11	810110000461	弹簧座 Spring seat	1	
12	810110000462	挡圈 50 Retaining ring 50	2	
13	810110000463	止推环 A Thrust collar A	1	
14	810110000464	滚针轴承 K505735 Bearing,needle	1	

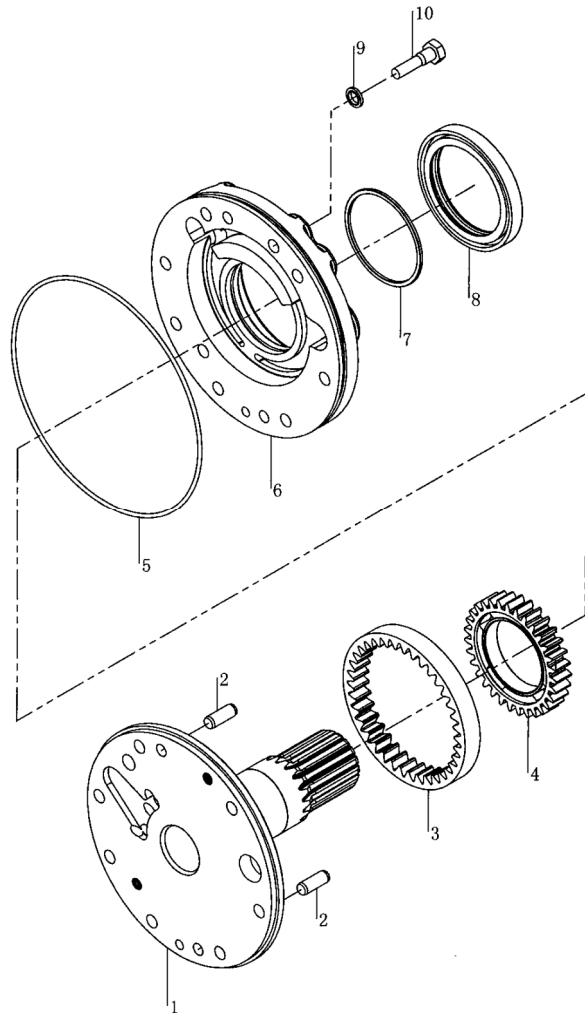
图 12 单向离合器总成(液力式) (绍兴)
 Fig.12 One-way clutch(tor-con type)
 (ShaoXin)

4.0-X5t
 液力变速箱 Hydrodynamic gear-box

序号 Item	物料码 Code No.	名称 Description	数量 Qty	备注或适用车型 Remarks or Serial No.
15	810110000490	前进 II 档齿轮 Gear, Forward II file	1	
16	810110000468	止推环 B Thrust collar B	1	
17	810110000361	轴承 6310 Bearing 6310	1	
18	810110000352	螺塞 R1/8 Plug screw R1/8	1	
19	810110000494	堵头 Plug	1	
20	810110000359	轴承 6308 Bearing 6308	1	
21	810110000472	轴用弹性挡圈 40 Retaining ring 40	1	
22	810110000473	密封环 C Seal ring C	2	

图 13 油泵总成 (绍兴)
Fig.13 Charging pump (ShaoXin)

4.0-X5t
液力变速箱 Hydrodynamic gear-box



序号 Item	物料码 Part No.	名称 Description	数量 Qty	备注或适用车型 Remarks or Serial No.
A1	810110000385	油泵总成 Charging pump	1	包含/INC:1-10
1	810110000499	定子 Stator	1	
2	810110000500	圆柱销 B10×26 Pin, Parallel B8×26	2	
3	810110000501	被动齿轮 Gear,Driven	1	
4	810110000502	主动齿轮组件 Gear,Drive	1	
5	810110000503	O 形密封圈 O-ring	1	
6	810110000504	泵壳 Case,Pump	1	
7	810110000505	密封圈 Gasket	1	
8	810110000506	密封圈(F)B75×100×10 Gasket	1	
9	810110000386	组合密封圈 10 Gasket 10	2	
10	810110000508	螺栓 Bolt	2	

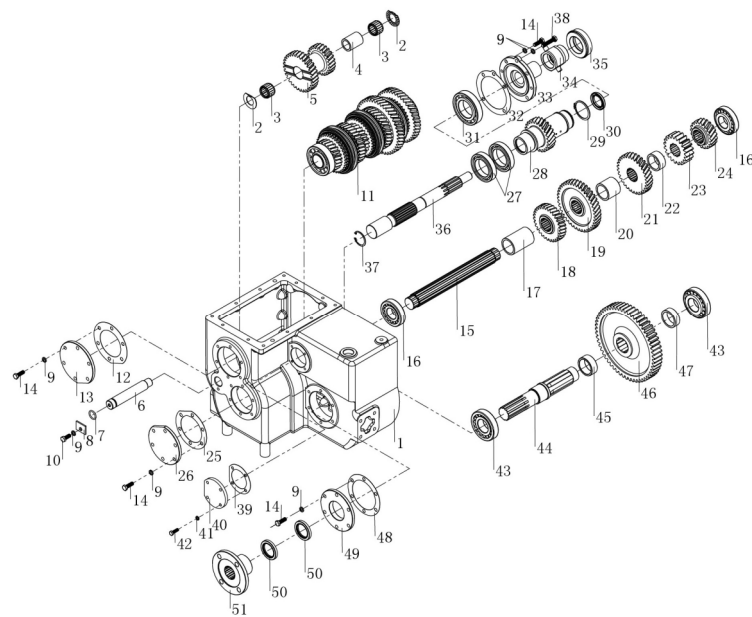
图 14 变速器(机械式 其 1) 绍兴 ShaoXin
Fig.14 Transmission(clutch type part-1)

4.0-X5t
机械变速箱 Mechanical gear-box

序号 Item	物料码 Part No.	名称 Description	数量 Qty	备注或适用车型 Remarks or Serial No.
1	810110000509	变速箱 Transmission	1	
2	810110000510	垫片 Gasket	2	
3	810110000511	滚针轴 K304230 Bearing, needle	2	
4	810110000512	惰齿轮轴承隔圈 Spacer	1	
5	810110000513	惰齿轮 Gear	1	
6	810110000514	倒档齿轮轴 Shaft	1	
7	O 形密封圈 23.6×3.55 O-ring	1		
8	810110000516	挡板 Plate	1	
9	810110000517	弹簧垫圈 10 Washer	24	
10	810110000518	螺栓 M10×25 Bolt	1	
11	810110000519	中间轴(一) 部件 Middle shaft	1	
12	810110000520	中间轴(一) 后端盖纸垫 Paper washer	1	
13	810110000521	中间轴(一) 后端盖 Cover	1	
14	810110000522	螺栓 M10×30 Bolt	22	
15	810110000523	中间轴(二) Shaft	1	

图 14 变速器(机械式 其 1) 绍兴 ShaoXin
Fig.14 Transmission(clutch type part-1)

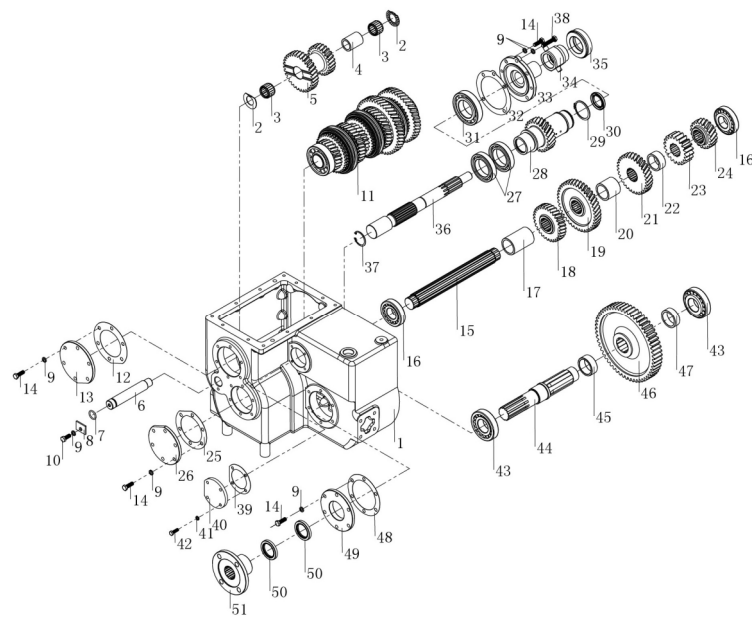
4.0-X5t
机械变速箱 Mechanical gear-box



序号 Item	物料码 Part No.	名称 Description	数量 Qty	备注或适用车型 Remarks or Serial No.
16	810110000524	轴承 30308 Bearing	2	
17	810110000525	隔圈 (二) Spacer	1	
18	810110000526	后退档从动齿轮 Gear	1	
19	810110000527	前进 I 档从动齿轮 Gear	1	
20	810110000528	隔圈 Spacer	1	
21	810110000529	前进 II 档从动齿轮 Gear	1	
22	810110000530	隔圈 (一) Spacer	1	
23	810110000531	输出小齿轮 Gear ring spring	1	
24	810110000532	前进 III 档从动齿轮 Gear	1	
25	810110000533	中间轴 (二) 后端盖纸垫 Paper washer	1	
26	810110000534	中间轴 (二) 后端盖 Cover	1	
27	810110000535	轴承 6012 Bearing	2	
28	810110000536	输入齿轮 Gear	1	
29	810110000537	轴用弹性挡圈 60 Snap ring	1	
30	810110000538	油封 38×58×8 Oil seal	1	

图 14 变速器(机械式 其 1) 绍兴 ShaoXin
Fig.14 Transmission(clutch type part-1)

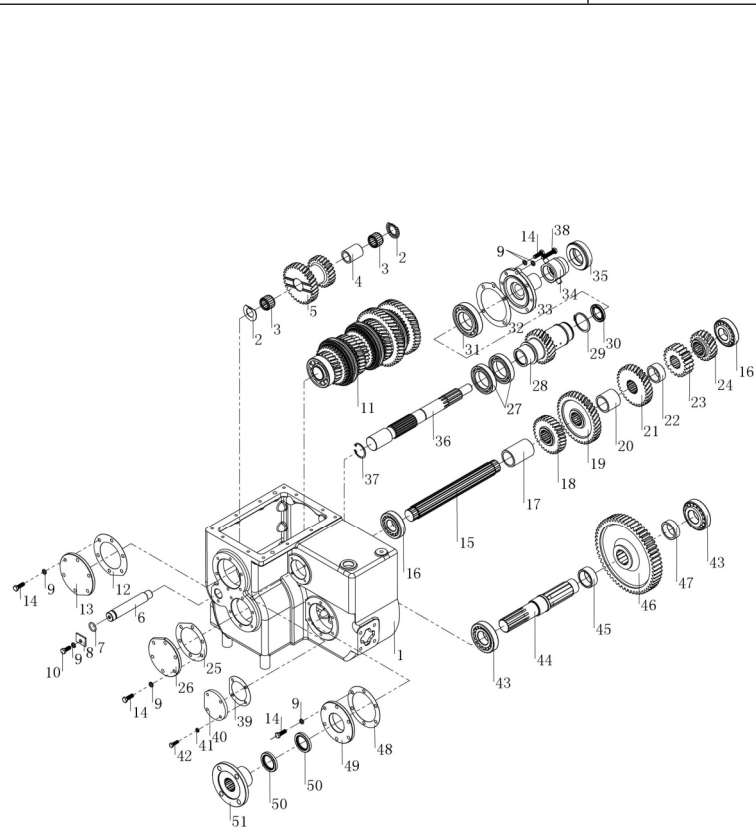
4.0-X5t
机械变速箱 Mechanical gear-box



序号 Item	物料码 Part No.	名称 Description	数量 Qty	备注或适用车型 Remarks or Serial No.
31	810110000539	轴承 NUP212E Bearing	1	
32	810110000540	输入轴承座纸垫 Paper washer	1	
33	810110000541	输入轴承座 Cap,bearing	1	
34	810110000542	分离轴承座 Cap,bearing	1	
35	810110000543	分离轴承 TZ5522 Bearing	1	
36	810110000544	输入轴 Shaft	1	
37	810110000545	孔用弹性挡圈 45 Snap ring	1	
38	810110000546	螺栓 M10×50 Bolt	1	
39	810110000547	输入轴后端盖纸垫 Paper washer	1	
40	810110000548	输入轴后端盖 Cover	1	
41	810110000420	弹簧垫圈 8 Washer	4	
42	810110000550	螺栓 M8×25 Bolt	4	
43	810110000551	轴承 30309 Bearing	2	
44	810110000552	输出轴 Shaft,output	1	
45	810110000553	输出轴隔圈 (一) Spacer	1	

图 14 变速器(机械式 其 1) 绍兴 ShaoXin
 Fig.14 Transmission(clutch type part-1)

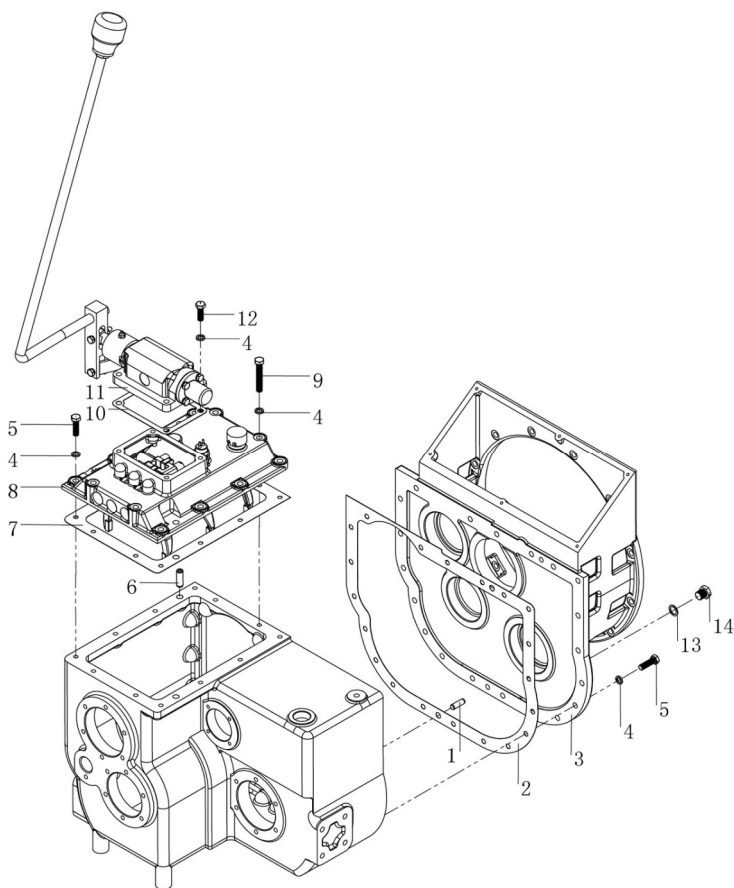
4.0-X5t
 机械变速箱 Mechanical gear-box



序号 Item	物料码 Part No.	名称 Description	数量 Qty	备注或适用车型 Remarks or Serial No.
46	201200120025	输出大齿轮 Gear	1	
47	810110000555	输出轴隔圈(二) Spacer	1	
48	810110000556	输出轴后端盖纸垫 Paper washer	1	
49	810110000557	输出轴后端盖 Cover	1	
50	810110000558	油封 45×65×8 Oil seal	2	
51	810110000559	输出法兰 Flange	1	

图 15 变速器(机械式 其 2) 绍兴 ShaoXin
Fig.15 Transmission(clutch type part-2)

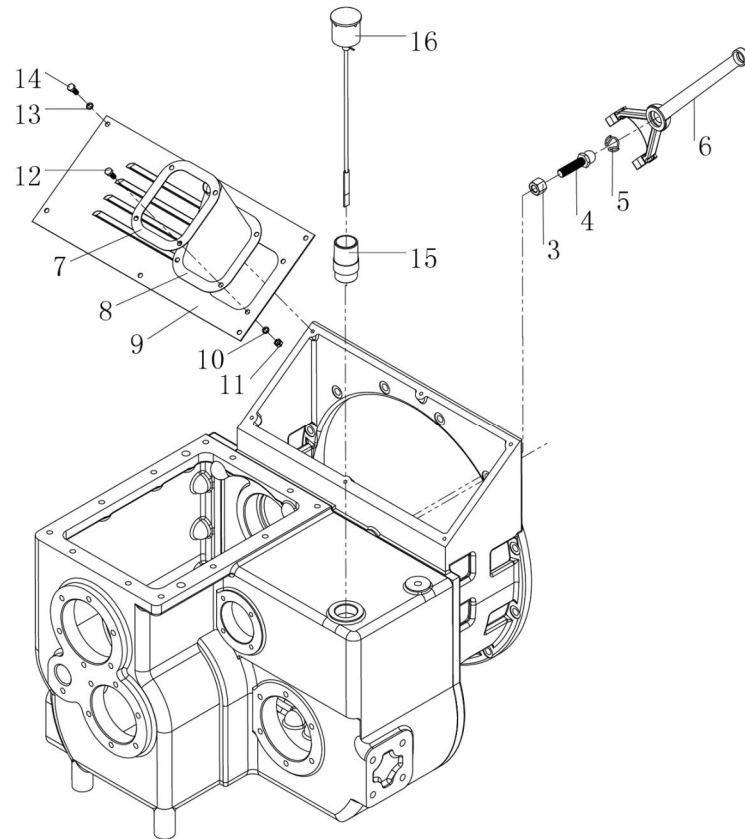
4.0-X5t
机械变速箱 Mechanical gear-box



序号 Item	物料码 Part No.	名称 Description	数量 Qty	备注或适用车型 Remarks or Serial No.
1	810110000560	圆柱销 10×30 Pin	2	
2	810110000561	箱体纸垫 Paper washer	1	
3	810110000562	离合器外壳 Clutch cover	1	
4	810110000517	弹簧垫圈 10 Washer	35	
5	810110000564	螺栓 M10×35 Bolt	27	
6	810110000565	圆柱销 12×35 Pin	2	
7	810110000566	上箱盖纸垫 Paper washer	1	
8	810110000567	变速箱上盖组件 Cover assy	1	
9	810110000568	螺栓 M10×65 Bolt	4	
10	201400030002	纸垫 Paper washer	1	
11	810110000570	换挡器组件 Shift unit assy	1	
12	810110000522	螺栓 M10×30 Bolt	4	
13	810110000572	铜垫片 16 Gasket 16	1	
14	810110000573	放油螺塞 M16×1.5 Bolt	1	

图 16 变速器(机械式 其 3) 绍兴 ShaoXin
Fig.16 Transmission(clutch type part-3)

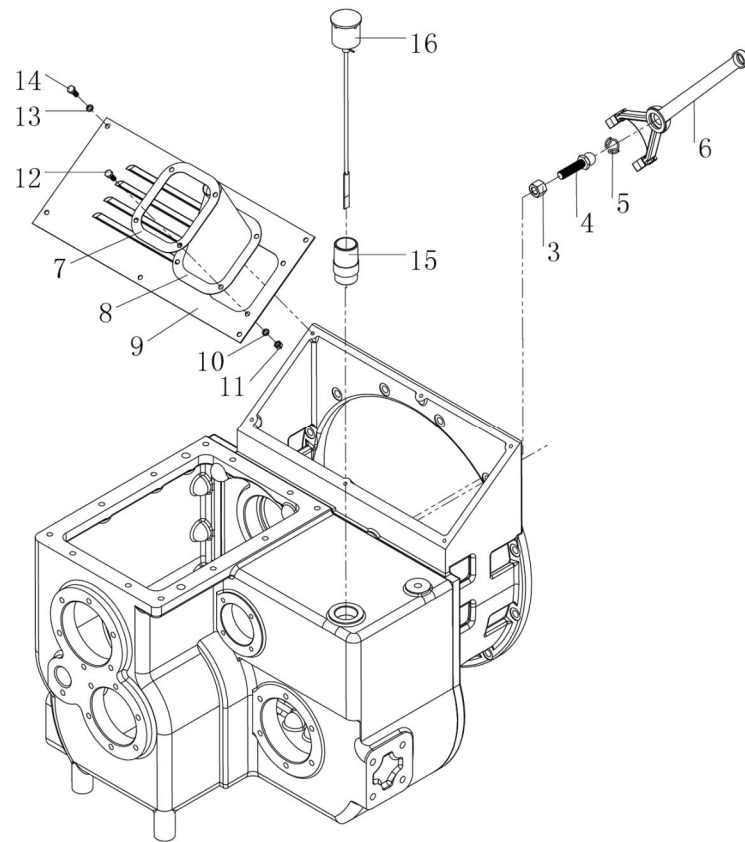
4.0-X5t
机械变速箱 Mechanical gear-box



序号 Item	物料码 Part No.	名称 Description	数量 Qty	备注或适用车型 Remarks or Serial No.
3	810110000575	调整螺母 Nut	1	
4	810110000576	分离叉球形支柱 Ball-ended supporting stud,clutch release fork	1	
5	810110000577	弹性挡圈 Snap ring	1	
6	810110000578	分离拨叉 Release fork	1	
7	810110000579	防尘罩盖板 Plate	1	
8	810110000580	防尘罩 Dustproof hood	1	
9	810110000581	离合器外壳护罩 Clutch cover	1	
10	810110000585	弹簧垫圈 6 Washer	4	
11	810110000583	螺母 M6 Nut	4	
12	810110000584	螺栓 M6×16 Bolt	4	
13	810110000585	弹簧垫圈 6 Washer	6	
14	810110000584	螺栓 M6×16 Bolt	6	
15	810110000587	加油管 Pipe oil fill	1	

图 16 变速器(机械式 其 3) 绍兴 ShaoXin
Fig.16 Transmission(clutch type part-3)

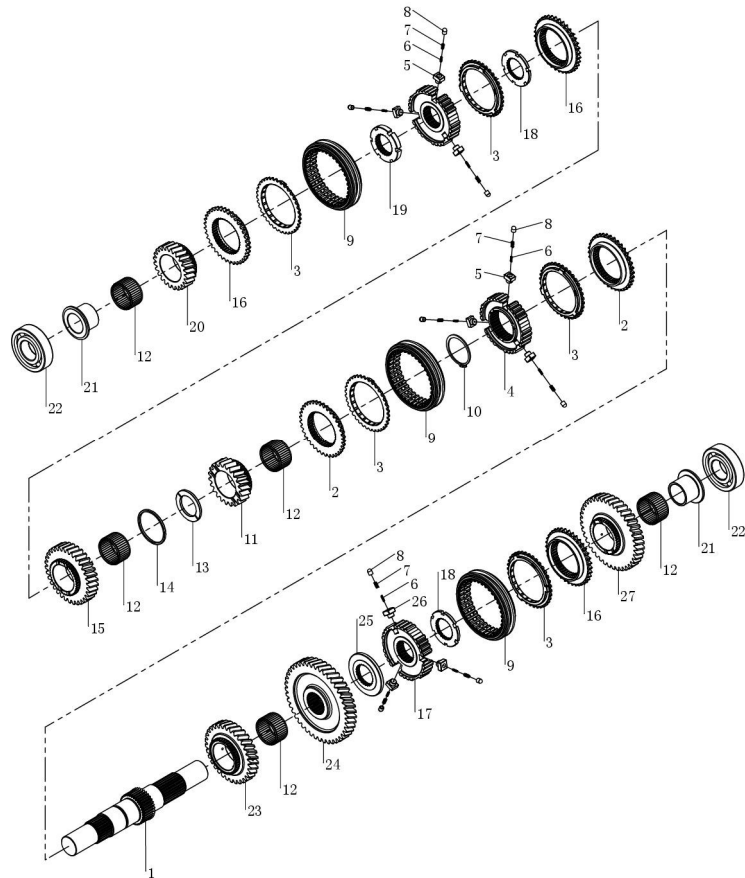
4.0-X5t
机械变速箱 Mechanical gear-box



序号 Item	物料码 Part No.	名称 Description	数量 Qty	备注或适用车型 Remarks or Serial No.
16	810110000356	加油器盖组件 Fuel lid assy	1	

图 17 变速器(机械式 其 4) 绍兴 ShaoXin
Fig.17 Transmission(clutch type part-4)

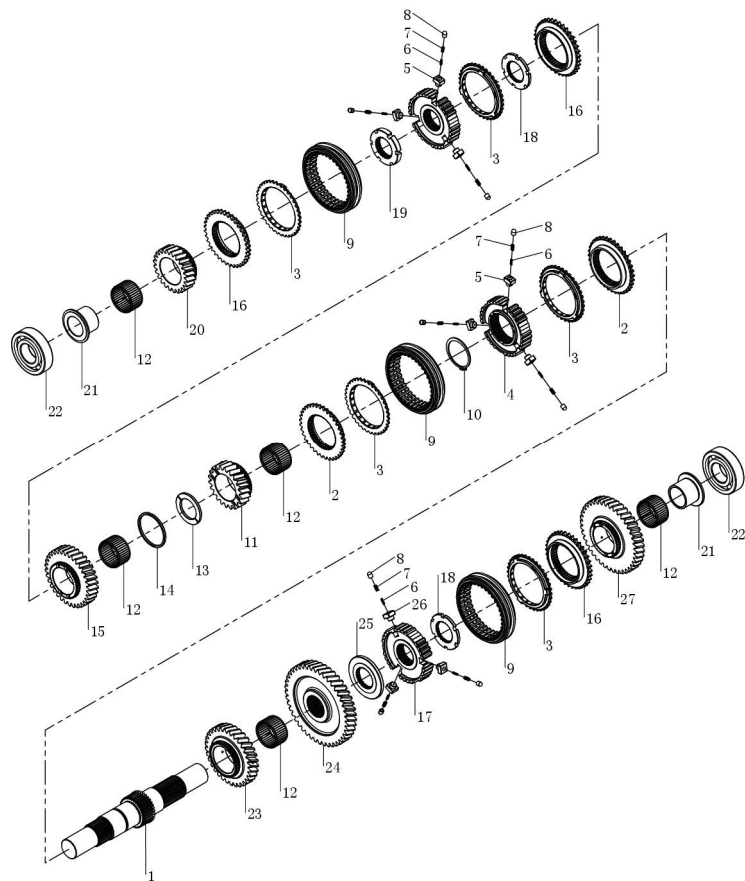
4.0-X5t
机械变速箱 Mechanical gear-box



序号 Item	物料码 Part No.	名称 Description	数量 Qty	备注或适用车型 Remarks or Serial No.
1	810110000589	中间轴 (一) Middle shaft	1	
2	810110000590	一档、二档同步锥 Synchronous cone	2	
3	810110000591	一、二、三、四档同步环 Ring block	5	
4	810110000592	一二档固定齿座 Gear seat	1	
5	810110000593	一二档同步器止动块 Blok stop	6	
6	810110000594	锁销弹簧 1 Spring	9	
7	810110000595	锁销弹簧 2 Spring	9	
8	810110000596	同步器锁销 Pin	9	
9	810110000597	三四档滑动齿套 Sliding dag clutch	3	
10	810110000598	轴用弹性挡圈 65 Snap ring	1	
11	810110000599	前进 I 档齿轮 Gear, F1	1	
12	810110000600	滚针轴承 K546235 Bearing, needle	5	
13	810110000601	止推卡环 Ring	2	
14	810110000602	套环 Ring	1	
15	810110000603	后退 II 档齿轮 Gear, forward	1	

图 17 变速器(机械式 其 4) 绍兴 ShaoXin
Fig.17 Transmission(clutch type part-4)

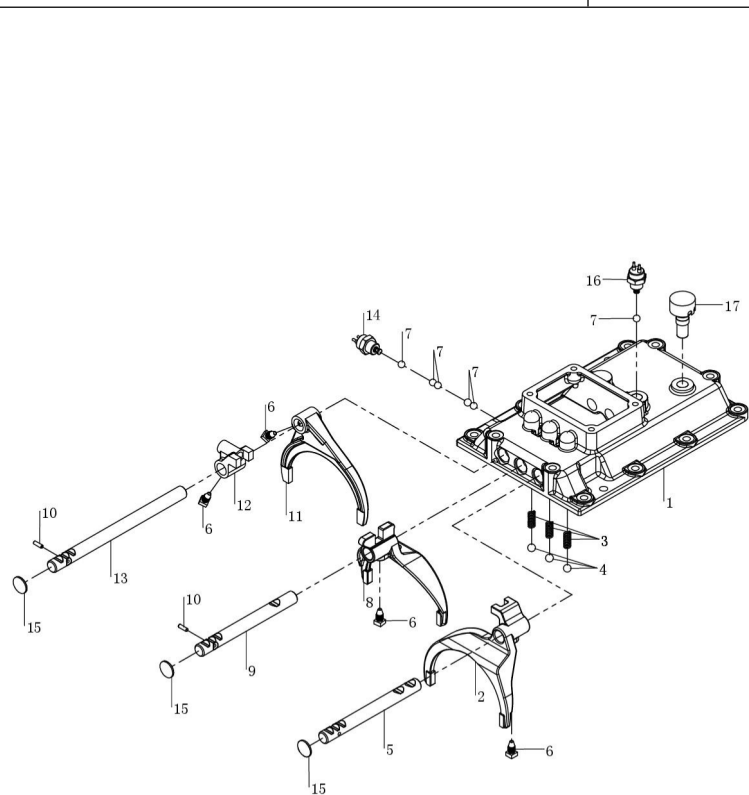
4.0-X5t
机械变速箱 Mechanical gear-box



序号 Item	物料码 Part No.	名称 Description	数量 Qty	备注或适用车型 Remarks or Serial No.
16	810110000589	三、四档同步锥 Synchronous cone	3	
17	810110000590	三四档固定齿座 Gear seat	2	
18	810110000591	挡圈 Snap ring	2	
19	810110000592	挡圈 Snap ring	1	
20	810110000593	后退 I 档齿轮 Gear, forward	1	
21	810110000594	衬套 Spacer	2	
22	810110000595	轴承 6309 Bearing	2	
23	810110000596	前进 II 档齿轮 Gear	1	
24	810110000597	输入从动齿轮 Gear	1	
25	810110000598	挡圈 Snap ring	1	
26	810110000599	三四档同步器止动块 Blok stop	3	
27	810110000600	前进 III 档齿轮 Gear	1	

图 18 变速器(机械式 其 5) 绍兴 ShaoXin
Fig.18 Transmission(clutch type part-5)

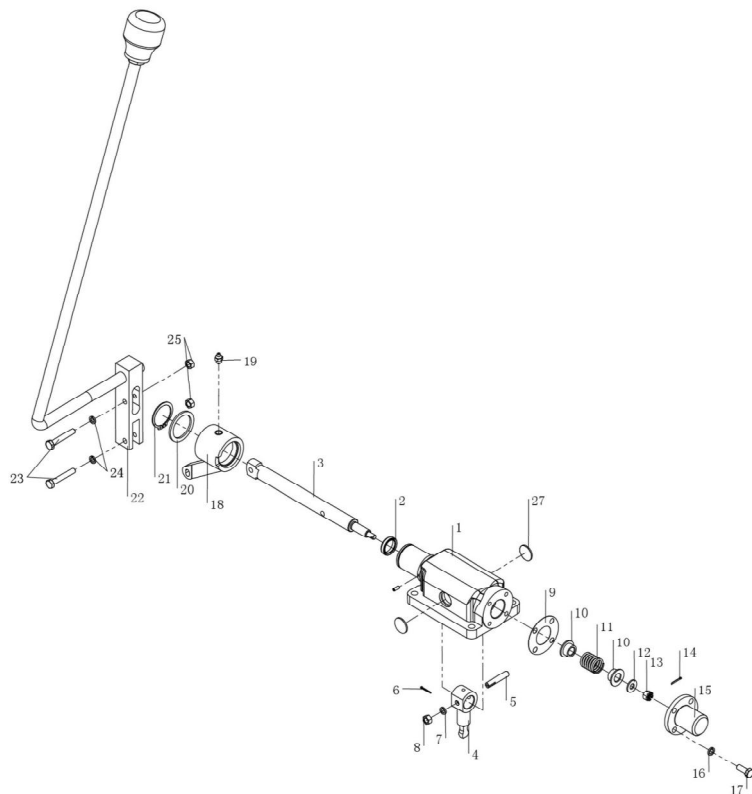
4.0-X5t
机械变速箱 Mechanical gear-box



序号 Item	物料码 Part No.	名称 Description	数量 Qty	备注或适用车型 Remarks or Serial No.
1	810110000616	变速箱上盖 Tank cover assy	1	包含/INC:1-17
2	810110000617	前进 II、III档拨叉 fork	1	
3	810110000618	定位弹簧 Spring	3	
4	810110000619	钢球Φ11 Ball, steel	3	
5	810110000620	倒档拨叉轴 Shaft	1	
6	810110000621	拨叉锁紧螺钉 Screw	4	
7	810110000622	钢球Φ10 Ball, steel	6	
8	810110000623	前 I 倒 II 档拨叉 fork	1	
9	810110000624	拨叉轴 Shaft	1	
10	810110000625	互锁销 pin	2	
11	810110000626	前进 III 档拨叉 fork	1	
12	810110000627	倒一档拨叉轴拨块 Dial block, Fork shaft	1	
13	810110000628	三档拨叉轴 Shaft	1	
14	810110000629	空档位开关 shift switch	1	
15	810110000630	塞片 26 Plate	3	

图 19 变速器(机械式 其 6) 绍兴 ShaoXin
Fig.19 Transmission(clutch type part-6)

4.0-X5t
机械变速箱 Mechanical gear-box



序号 Item	物料码 Part No.	名称 Description	数量 Qty	备注或适用车型 Remarks or Serial No.
1	810110000633	支架 Bracket	1	
2	810110000634	旋转唇形密封圈 22×30×7 ring	1	
3	810110000635	轴 Shaft	1	
4	810110000636	换挡器拨叉 Yoke	1	
5	810110000637	开尾圆柱销 pin	1	
6	810110000638	开口销 Φ2×16 pin	1	
7	810110000639	弹性垫片 8 Washer	1	
8	810110000640	螺母 M8 Nut	1	
9	810110000641	盖纸垫 Gasket	1	
10	810110000642	挡圈 Snap ring	2	
11	810110000643	弹簧 Spring	1	
12	810110000644	垫片 Gasket	1	
13	810110000645	开槽螺母 M8 Nut	1	
14	810110000646	开口销 Φ2×16 pin	1	
15	201200120018	盖 Cover	1	

图 19 变速器(机械式 其 6) 绍兴 ShaoXin
Fig.19 Transmission(clutch type part-6)

4.0-X5t
机械变速箱 Mechanical gear-box

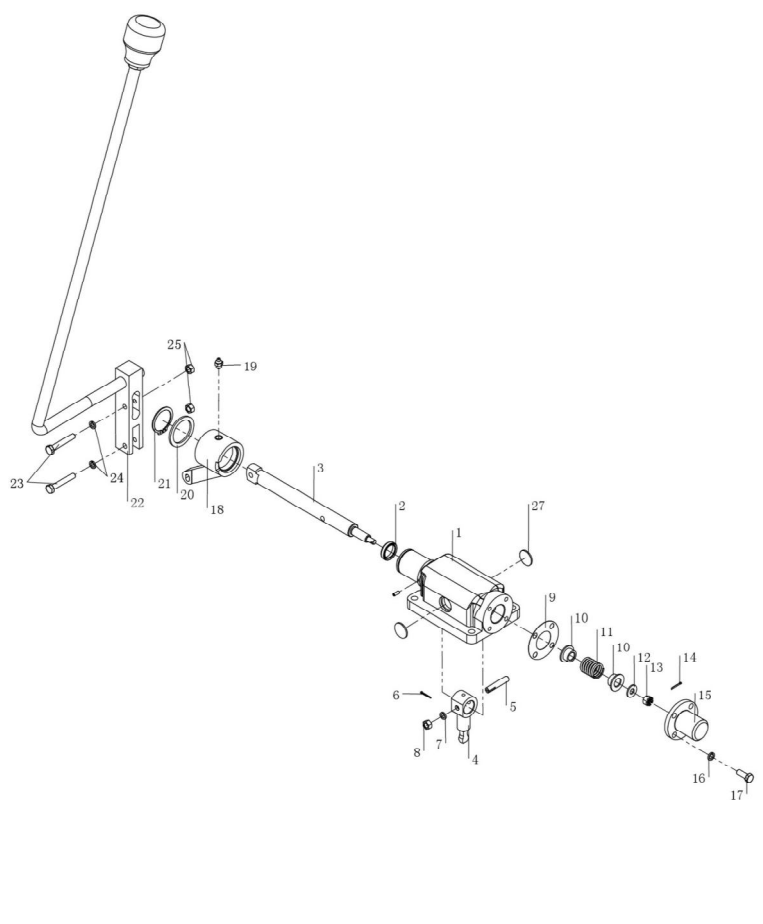
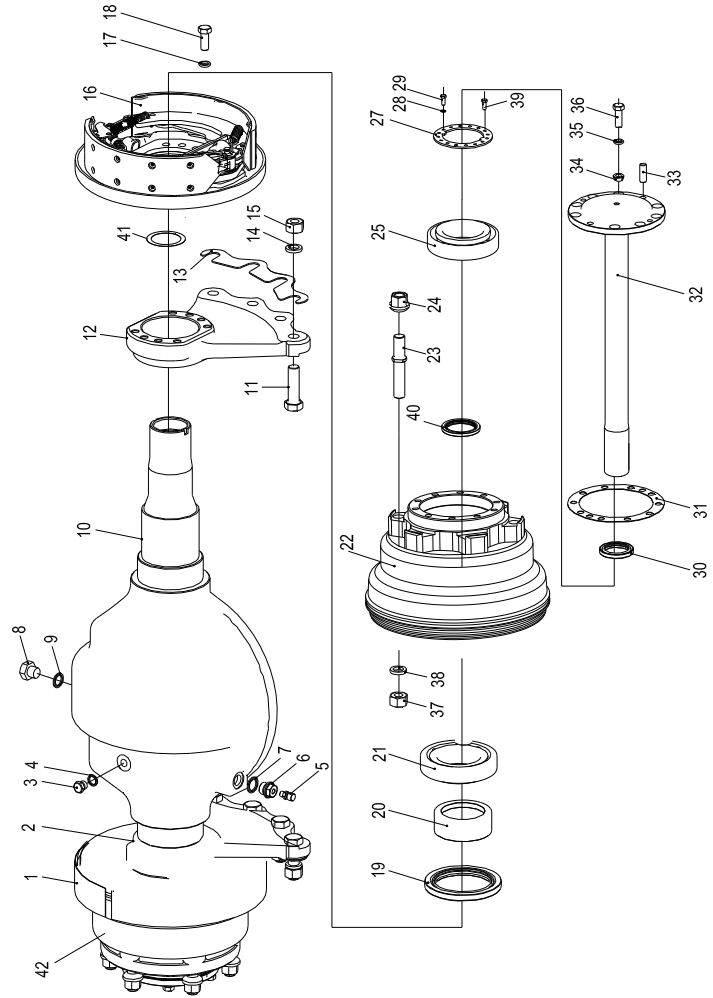
	序号 Item	物料码 Part No.	名称 Description	数量 Qty	备注或适用车型 Remarks or Serial No.
	16	810110000420	弹性垫片 8 Washer	4	
	17	810110000649	螺栓 M8×20 Bolt	4	
	18	810110000650	套 Bushing	1	
	19	810110000651	油嘴 Z1/8 Nozzle Z1/8	1	
	20	810110000652	垫片 Gasket	1	
	21	810110000653	轴用弹性挡圈 40 Snap ring	1	
	22	810110000654	换挡手柄总成 Shifting handle assy	1	
	23	810110000655	螺栓 M8×50 Bolt	2	
	24	810110000420	弹性垫片 8 Washer	2	
	25	810110000640	螺母 M8 Nut	1	

图 20 驱动桥总成
Fig.20 Drive axle assy

≥2019-1-29

全部车型
All models of truck

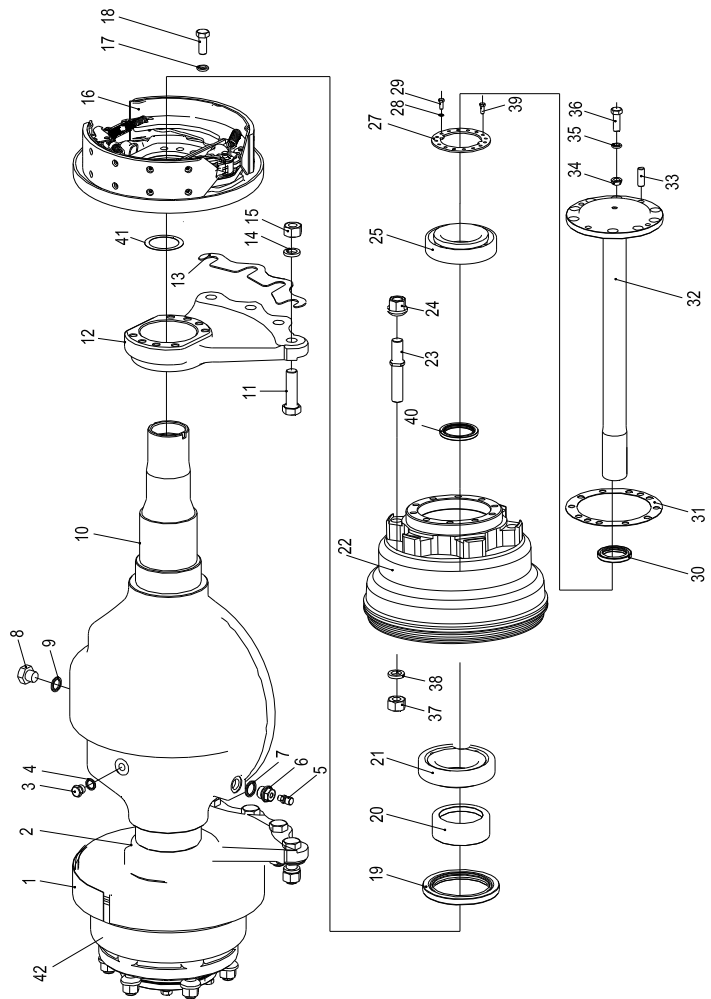


序号 Item	物料码 Part No.	名称 Description	数量 Qty	备注或适用车型 Remarks or Serial No.
A1	201100000621	驱动桥总成 Drive axle assy	1	液力叉车 Hydraulic Forklift
A2	201100000620	驱动桥总成 Drive axle assy	1	机械叉车 Mechanical forklift
1	见图 6 See Fig 6	左制动器总成 Brake assy,LH	1	
2	201100250108	左支撑板 Left Plate	1	液力叉车 Hydraulic Forklift
2	201100250027	左支撑板 Left Plate	1	机械叉车 Mechanical forklift
3	300270010006	螺塞 M16×1.5 Plug M16×1.5	1	
4	300030140004	垫圈 16 Washer 16	1	
5	201100050029	呼吸器 Vented plug	1	
6	201100050038	螺塞 Plug	1	
7	300030140016	垫圈 22 Washer 22	1	
8	300270020004	螺塞 M22×1.5 Plug	1	
9	300030140016	垫圈 22 Washer 22	1	
10	201100100324	桥体 Axle	1	液力叉车 Hydraulic Forklift
10	201100100325	桥体 Axle	1	机械叉车 Mechanical forklift
11	300010100003	连接螺栓 Bolt	10	

图 20 驱动桥
Fig.20 Drive axle

≥2019-1-29

全部车型
All models of truck

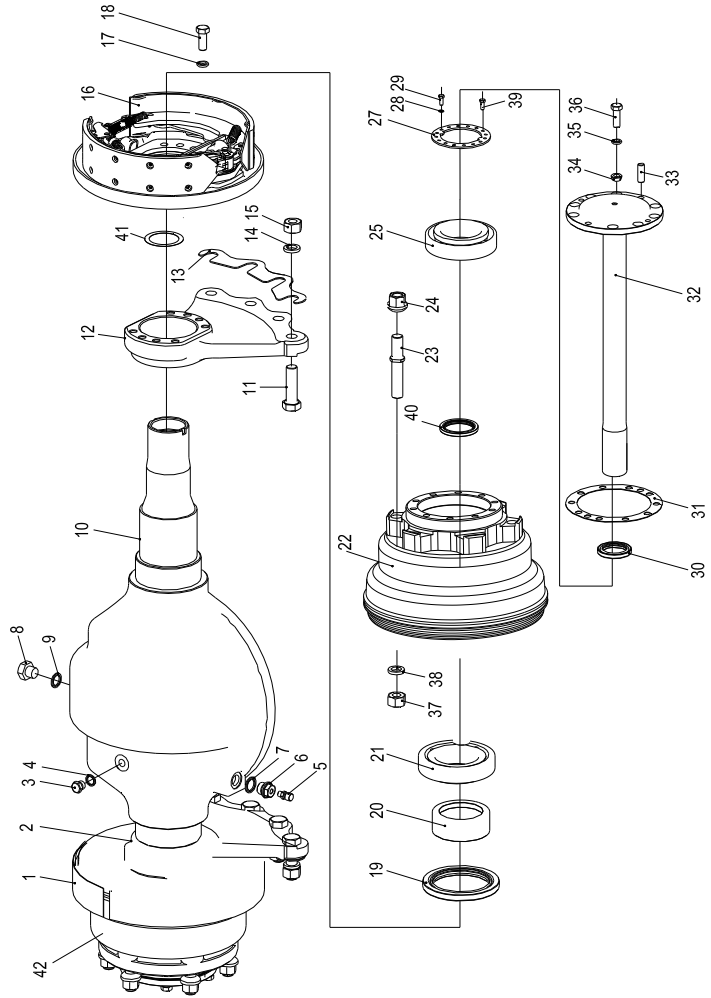


序号 Item	物料码 Part No.	名称 Description	数量 Qty	备注或适用车型 Remarks or Serial No.
12	201100250098	右支撑板 Right Plate	1	液力叉车 Hydraulic Forklift
12	201100250012	右支撑板 Right Plate	1	机械叉车 Mechanical forklift
13	201100160006	垫板 Plate	2	
14	300030090004	垫圈 24 Washer 24	10	
15	300020010028	螺母 M24 Nut M24	10	
16	见图 6 See Fig 6	右制动器总成 Brake assy,RH	1	
17	300030010004	垫圈 16 Washer 16	16	
18	310010020066	螺栓 Bolt,	16	
19	201100140006	油封 PD170×120×12 Oil seal	2	
20	201100150011	油封座 Oil Seat	2	
21	201100130004	轴承 7219E Bearing	2	
22	201100090079	轮毂 Hub	2	
23	201100020017	轮毂螺栓 Bolt, Hub	16	3.0t-3.8t 单轮 Single tyre
23	201100020022	轮毂螺栓 Bolt, Hub	16	3.0t-3.8t 双轮 Double tyre
22	201100080004	轮毂螺母 Hub nut	16	单轮 Single tyre

图 20 驱动桥总成
Fig.20 Drive axle assy

≥2019-1-29

全部车型
All models of truck



序号 Item	物料码 Part No.	名称 Description	数量 Qty	备注或适用车型 Remarks or Serial No.
25	201100130003	轴承 32216 Bearing	2	
27	201100110007	锁紧片 Lock washer	2	
28	300030010014	垫圈 6 Washer 6	4	
29	300010040145	螺栓 M6×12 Bolt M6×12	4	
30	300320010019	油封 FB115×140×14 Oil seal	2	
31	201100160018	纸垫 Gasket	2	
32	201100010009	半轴 Half shaft	2	液力叉车 Hydraulic Forklift
32	201100010003	左半轴 Half shaft, left	1	机械叉车 Mechanical forklift
32	201100010002	右半轴 Half shaft, right	1	机械叉车 Mechanical forklift
33	300050030053	销 D12×35 Pin D12×35	2	
34	201100070009	压紧衬套 Clamp split-ring	20	
35	300030010002	垫圈 12 Washer 12	20	
36	310010020035	螺栓 Bolt	20	
37	300020020009	螺母 M20×1.5 Nut	16	
38	300030010006	垫圈 20 Washer	16	

第二部分 转向系统目录

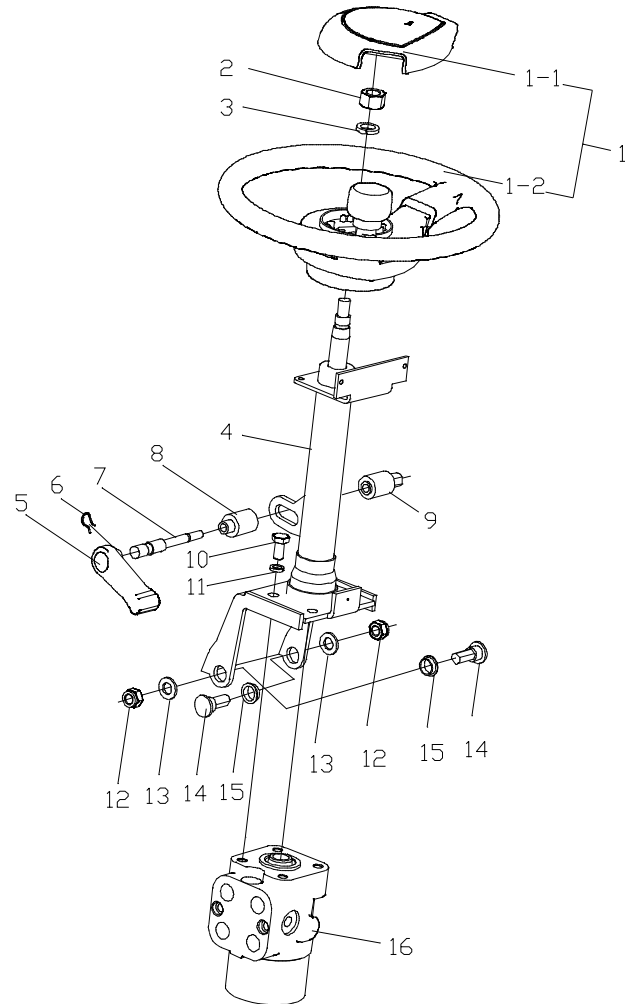
Part II Steering system contents

Ⓐ CPCD40/45-XRG76	Ⓑ CPCD50-XRXG76	Ⓐ ¹ CPC40/45-XRG76	Ⓑ ¹ CPC50-XRXG76
Ⓒ CPCD40/45-XRG75	Ⓓ CPCD50-XRXG75	Ⓒ ¹ CPC40/45-XRG75	Ⓓ ¹ CPC50-XRXG75
Ⓔ CPCD40/45-XRW34	Ⓕ CPCD50-XRXW34	Ⓔ CPCD40/45-XRW35	Ⓕ CPCD50-XRXW35
Ⓘ CPCD40/45-XRW76	Ⓙ CPCD50-XRXW76	Ⓚ CPQYD40/45-XRW57	Ⓛ CPQYD50-XRXW57
Ⓜ CPCD40/45-XRG73	Ⓜ ¹ CPC40/45-XRG73	Ⓝ CPCD50-XRXG73	Ⓝ ¹ CPC50-XRXG73
Ⓞ CPCD40/45-XRG93	Ⓞ ¹ CPCD50-XRG93		

序号 Item	名称 Description	适用车型 Serial No.	页码 Page
图 1 Fig. 1	转向装置 Steering device	全部车型 All models of truck	2-1
图 2 Fig. 2	转向管装置 Steering pipe device	全部车型 All models of truck	2-3
图 3 Fig. 3	转向桥 (1) Steering axle (1)	全部车型 All models of truck	2-4
图 4 Fig.4	转向桥 (2) Steering axle (2)	全部车型 All models of truck	2-8
图 5 Fig.5	转向油缸 Steering cylinder	全部车型 All models of truck	2-9
图 6 Fig.6	转向车轮总成 Steering wheel assy	全部车型 All models of truck	2-11

图1 转向装置
Fig. 1 Steering device

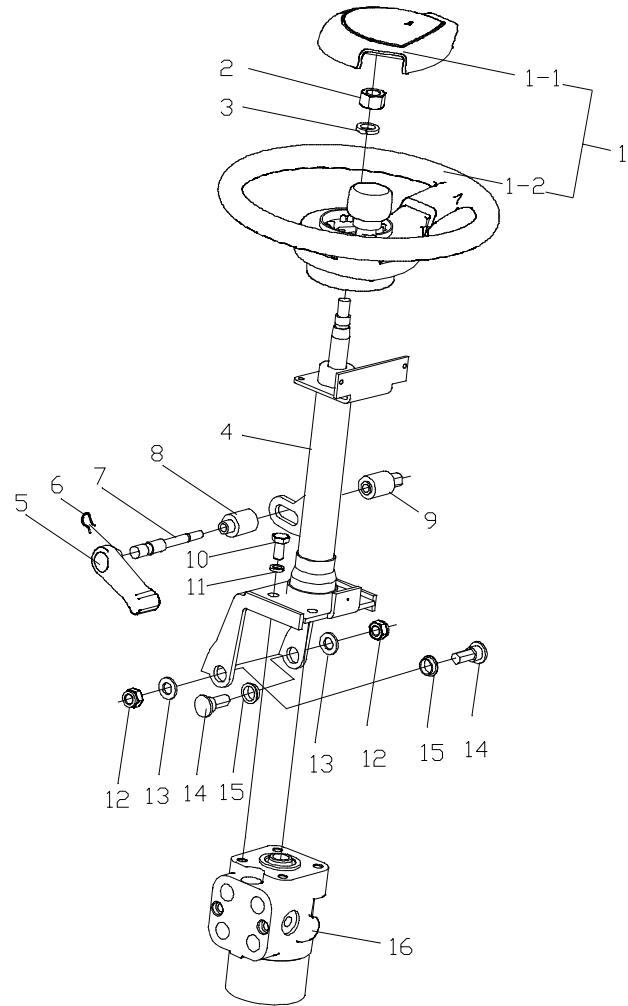
全部车型
All models of truck



序号 Item	物料码 Part No.	名称 Description	数量 Qty	备注或适用车型 Remarks or Serial No.
1	202100110038	方向盘总成 Steering wheel assy	1	有HANGCHA标志
1	202100110051	方向盘总成 Steering wheel assy	1	无HANGCHA标志
1-1	202100090001	方向盘盖 Steering wheel pad	1	有HANGCHA标志
1-1	202100090012	方向盘盖 Steering wheel pad	1	无HANGCHA标志
1-2	202100100009	方向盘体 Steering wheel body	1	
2	209990001672	方向盘螺母 Nut	1	
3	300030010004	垫圈 16 Washer 16	1	
4	202100230207	转向管装置 Steering pipe device	1	
5	202100010001	锁紧手柄 Lock Handle	1	
6	202100180001	卡簧 Snap ring	1	
7	202100270001	锁紧轴 Lock shaft	1	
8	202100280001	锁紧轴套 I Lock sleeve I	1	
9	202100280002	锁紧轴套 II Lock sleeve II	1	
10	300010040005	螺栓 M10×20 Bolt M10×20	4	
11	300030010001	垫圈 10 Washer 10	4	

图1 转向装置
Fig. 1 Steering device

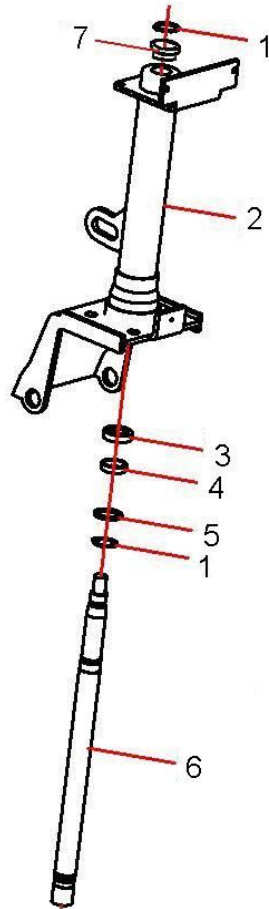
全部车型
All models of truck



序号 Item	物料码 Part No.	名称 Description	数量 Qty	备注或适用车型 Remarks or Serial No.
12	300020140008	螺母 M12 Nut M12	2	
13	300030040003	垫圈 12 Washer 12	2	
14	310010010034	螺栓 Bolt	2	
15	202100040003	衬套 Spacer	2	
16	202100210010	全液压转向器 Orbitrol	1	

图2 转向管装置
Fig.2 Steering pipe device

全部车型
All models of truck



序号 Item	物料码 Part No.	名称 Description	数量 Qty	备注或适用车型 Remarks or Serial No.
A1	202100230207	转向管装置 Steering pipe device	1	
1	300060030011	挡圈 20 Snap ring	2	
2	202100230210	转向管总成 Steering pipe	1	
3	202100130005	隔套 Bush	1	
4	202100070006	调整垫圈 Adjusting shim	1	
5	202100070002	垫片 Washer	1	
6	202100240014	转向轴 Steering shaft	1	
7	202100120008	防尘套 dust cover	1	

图3 转向桥(一)
Fig.3 Steering axle(I)

全部车型
All models of truck

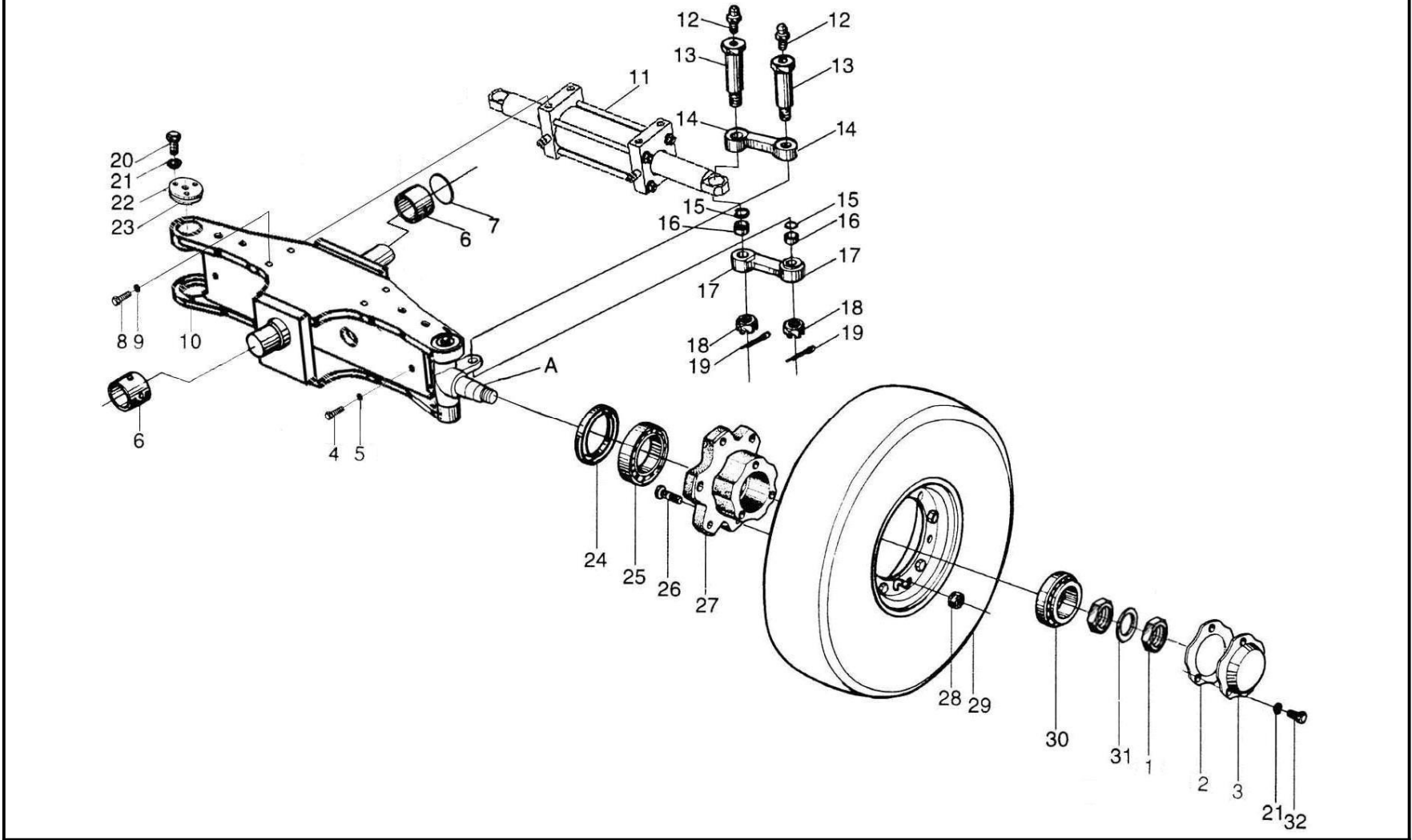
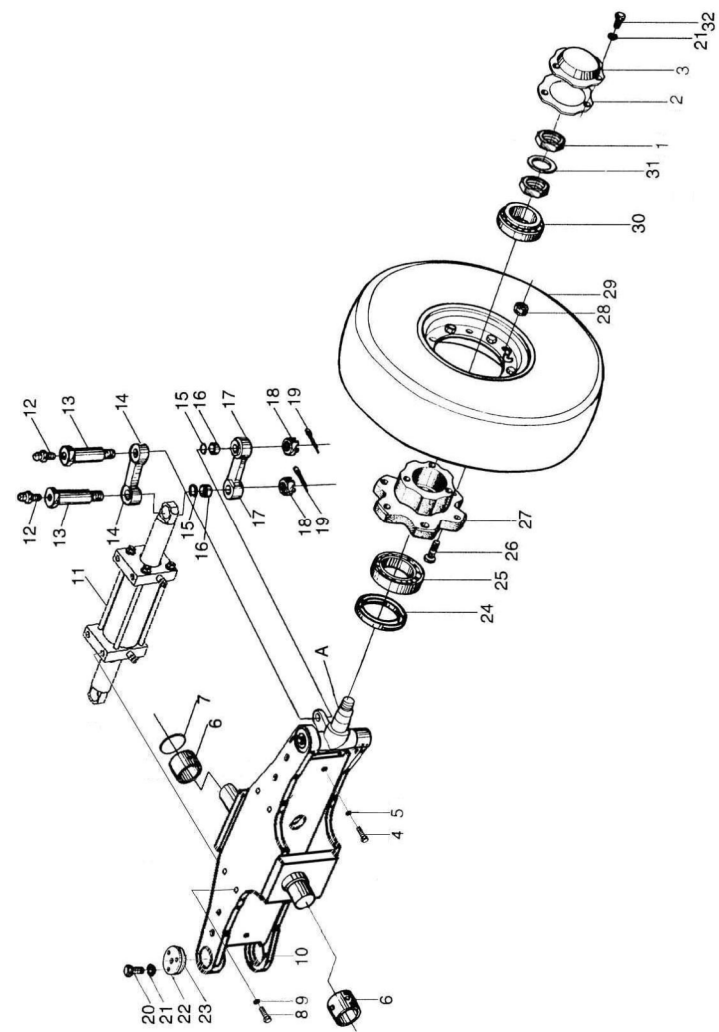


图3 转向桥 (1)
Fig. 3 Steering axle (1)

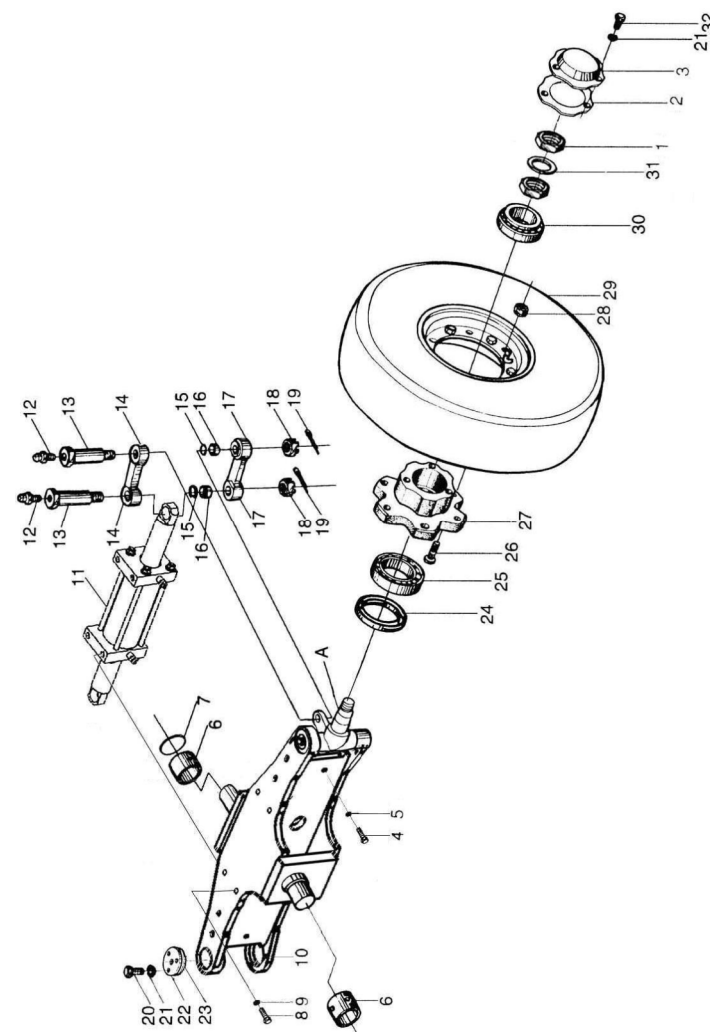
全部车型
All models of truck



序号 Item	物料码 Part No.	名称 Description	数量 Qty	备注或适用车型 Remarks or Serial No.
1	300020220003	螺母 M40×1.5 Nut M40×1.5	4	
2	202200200001	软垫 Gasket	2	
3	202200010001	轮毂盖 Hub cover	2	
4	202200090009	限位螺栓 Bolt	2	
5	300020020020	螺母 M14×1.5 Nut M14×1.5	2	
6	202200220008	轴套 Bush	2	
7	202200270511	调整垫片 Adjusting shim	1	
8	300010060074	螺栓 M16×1.5×45 Bolt M16×1.5×45	4	
9	300030010004	垫圈 16 Washer 16	4	
10	202200170050	转向桥体 Steering axle body	1	
11	202300000052	转向油缸 Steering cylinder	1	见图5 See Fig.5
12	205100370002	油杯 Grease nipple	4	
13	202200140008	销轴 Pin shaft	4	
14	202200110046	上联杆 Tie-rod bar	2	
15	300060020006	孔用弹性挡圈-B型 35 Snap ring 35	2	

图3 转向桥 (1)
Fig.3 Steering axle (1)

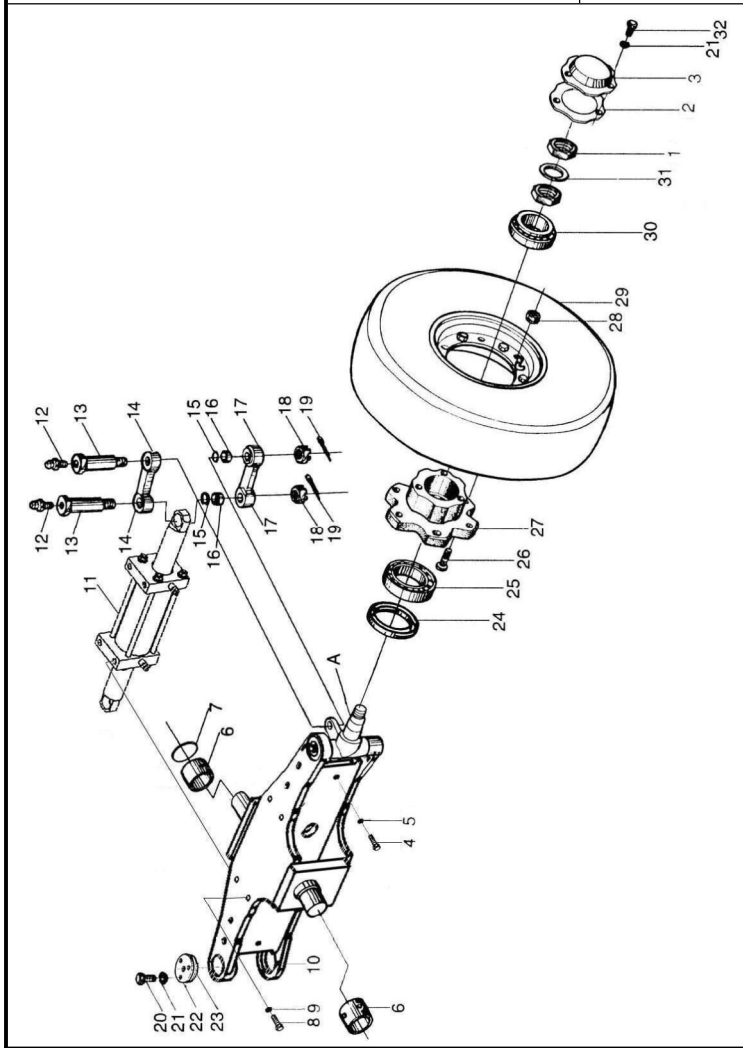
全部车型
All models of truck



序号 Item	物料码 Part No.	名称 Description	数量 Qty	备注或适用车型 Remarks or Serial No.
16	300140170003	轴承 GE20ES-2RS Bearing	2	
17	202200110053	下联杆 Tie-rod bar	2	
18	300020260001	螺母 M14×1.5 Nut M14×1.5	4	
19	300050010035	销 3.2×40 Pin 3.2×40	4	
20	300010040148	螺栓 M6×16 Bolt M6×16	12	
21	300030010014	垫圈 6 Washer 6	18	
22	202200050016	盖板 Cover	4	
23	202200200008	主销端盖衬垫 Gasket	4	
24	300320040027	油封 PD90×125×12 Oil seal	2	
25	300140020012	轴承 32213 Bearing 32213	2	
26	201100020032	轮毂螺栓 Hub bolt	10	
27	202200150004	转向轮毂 Steering hub	2	
28	201200120076	螺母 Nut	10	
29	201500000016	车轮总成 Steering wheel	2	
30	300140020015	轴承 32308 Bearing 32308	2	

图3 转向桥 (1)
Fig. 3 Steering axle (1)

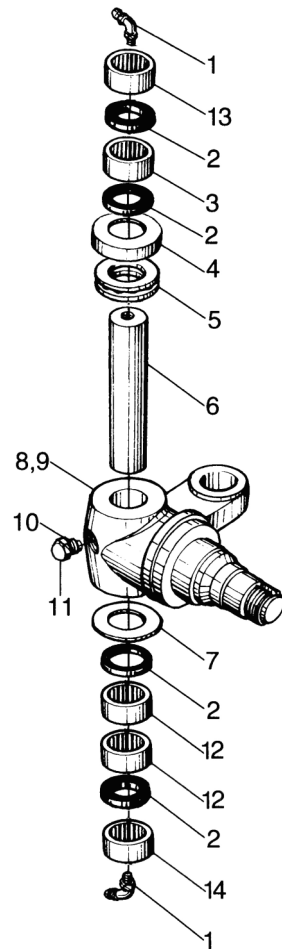
全部车型
All models of truck



序号 Item	物料码 PART NO.	名称 Description	数量 Qty	备注或适用车型 Remarks or Serial No.
31	300030060006	垫圈 40 Washer 40	2	
32	300010040144	螺栓 M6×10 Bolt M6×10	6	

图4 转向桥(2)
Fig. 4 Steering axle(2)

全部车型
All models of truck



序号 Item	物料码 Part No.	名称 Description	数量 Qty	备注或适用车型 Remarks or Serial No.
1	205100370003	油杯 Grease nipple	6	
2	202200020011	密封圈 Oil seal	8	
3	300140120006	向心滚针和保持架组件 K 型 K405040 Bearing K405040	2	
4	202200030003	防尘套 Dust proof bush	2	
5	300140050010	轴承 51208 Bearing 51208	2	
6	202200230016	转向节主销 Pin	2	
7	202200270512	调整垫片 Adjusting shim	2	
8	202200180038	左转向节 Left steering knuckle	1	
9	202200180030	右转向节 Right steering knuckle	1	
10	300030010002	垫圈 12 Washer 12	2	
11	201500040082	螺钉 Screw	2	
12	300140120011	轴承 K405026 Bearing K405026	4	
13	202200060005	钢套 I Liner I	2	
14	202200060012	钢套 II Liner II	2	

图5 转向油缸
Fig.5 Steering cylinder

全部车型
All models of truck

序号 Item	物料码 PART NO.	名称 Description	数量 Qty	备注或适用车型 Remarks or Serial No.
A1	202300000052	转向油缸 Steering cylinder	1	包含/INC:1-14
1	209990000127	LBH 防尘圈 d50 Dust proof ring d50	2	
2	202300010003	保护圈 Protect ring	2	
3	204100070391	ISI 密封圈 d50 Seal ring d50	2	
4	205100040031	复合衬套 5035 Bush 5035	2	
5	202300030032	右导向套 Right guide bush	1	
6	300130010160	O 形密封圈 80×3.5 O-ring 80×3.5	2	
7	202300050017	缸筒 Cylinder body	1	
8	209990000254	格莱圈 D80 Ring D80	1	
9	202300030033	左导向套 Left guide bush	1	
10	202300100042	活塞杆 Piston rod	1	
11	300140170003	轴承 GE20ES-2RS Bearing GE20ES-2RS	2	
12	300060020006	孔用弹性挡圈-B 型 35 Snap ring	2	
13	201200120085	螺母 M12×1.25 Nut M12×1.25	8	
14	202300110008	螺杆 Rod	4	

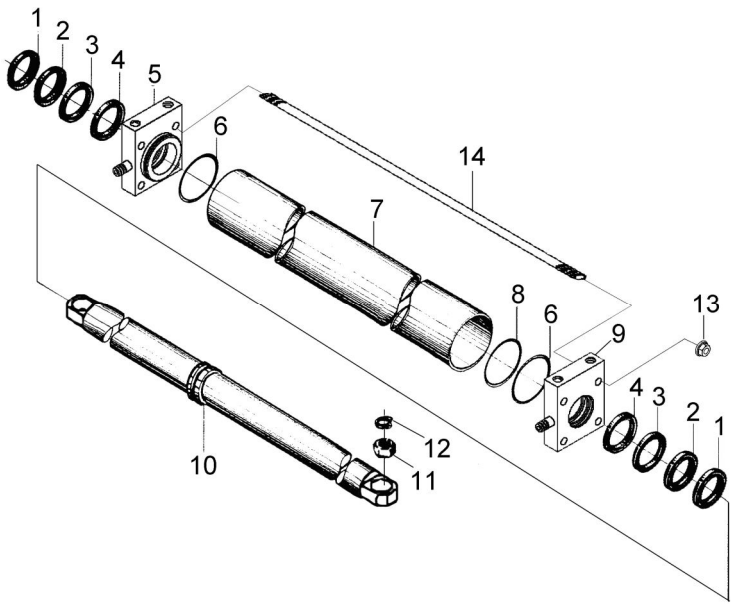


图5 转向油缸
Fig.5 Steering cylinder

全部车型
All models of truck

序号 Item	物料码 PART NO.	名称 Description	数量 Qty	备注或适用车型 Remarks or Serial No.
K1	810200000017	转向油缸修理 Steering cylinder repair kits	1	包含/INC: 1,3,6,8

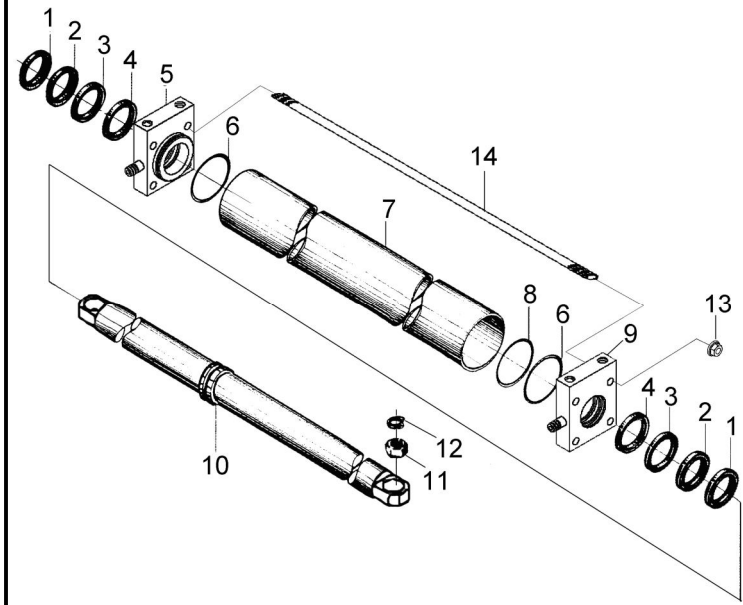
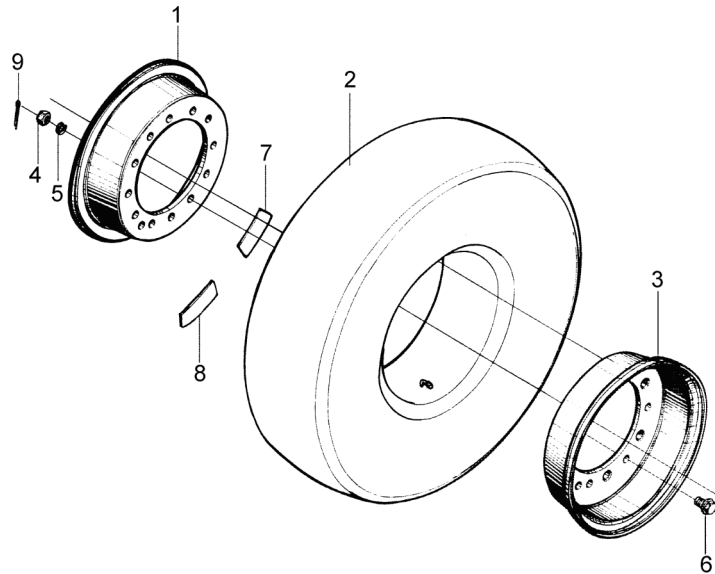


图6 转向车轮总成
Fig.6 Steering wheel assy

全部车型
All models of truck



序号 Item	物料码 Part No.	名称 Description	数量 Qty	备注或适用车型 Remarks or Serial No.
A1	20150000016	车轮总成 Steering wheel assy	2	包含/INC:1-9
1	20150040090	内轮辋 Inside wheel rim	1	黑色 Black
2	300150040026	充气轮胎 7.00-12-12PR Pneumatic tyre	1	
3	20150040093	外轮辋 Outside wheel rim	1	黑色 Black
4	300020250002	螺母 M16×1.5 Nut M16×1.5	5	
5	300030010004	垫圈 16 Washer 16	5	
6	202200260010	轮辋螺栓 Bolt	5	
7	NO PART NO.	标记 Mark	1	
8	NO PART NO.	标记 Mark	1	
9	300050010044	销 4×28 Pin 4×28	5	

第三部分 动力系统目录

- | | | | |
|-------------------|-------------------------------|--------------------------------|------------------------------|
| Ⓐ CPCD40/45-XRG76 | Ⓑ CPCD50-XRXG76 | Ⓐ ¹ CPC40/45-XRG76 | Ⓑ ¹ CPC50-XRXG76 |
| Ⓒ CPCD40/45-XRG75 | Ⓓ CPCD50-XRXG75 | Ⓒ ¹ CPC40/45-XRG75 | Ⓓ ¹ CPC50-XRXG75 |
| Ⓔ CPCD40/45-XRW34 | Ⓕ CPCD50-XRXW34 | Ⓒ ² CPCD40/45-XRW35 | Ⓓ ² CPCD50-XRXW35 |
| Ⓘ CPCD40/45-XRW76 | Ⓙ CPCD50-XRXW76 | Ⓚ CPQYD40/45-XRW57 | Ⓛ CPQYD50-XRXW57 |
| Ⓜ CPCD40/45-XRG73 | Ⓝ ¹ CPC40/45-XRG73 | Ⓝ ² CPCD50-XRXG73 | Ⓝ ³ CPC50-XRXG73 |
| Ⓞ CPCD40/45-XRG93 | Ⓞ ¹ CPCD50-XRG93 | | |

序号 Item	名称 Description	适用车型 Serial No.	页码 Page
图 1 Fig.1	动力系统 Drive system	Ⓐ Ⓑ	3-1
图 2 Fig.2	动力系统 Drive system	Ⓒ Ⓓ	3-3
图 3 Fig. 3	动力系统 Drive system	Ⓔ Ⓕ Ⓒ ² Ⓓ ²	3-4
图 4 Fig.4	动力系统 Drive system	Ⓚ Ⓛ	3-6
图 5 Fig.5	进气系统 Air intake system	Ⓐ Ⓑ	3-8
图 6 Fig.6	进气系统 Air intake system	Ⓒ Ⓓ	3-9
图 7 Fig.7	进气系统 Air intake system	Ⓒ ² Ⓓ ²	3-10
图 8 Fig.8	进气系统 Air intake system	Ⓔ Ⓕ	3-11
图 9 Fig.9	进气系统 Air intake system	Ⓚ Ⓛ	3-13

序号 Item	名称 Description	适用车型 Serial No.	页码 Page
图 10 Fig.10	排气系统 Exhaust system	Ⓐ Ⓑ	3-15
图 11 Fig.11	排气系统 Exhaust system	Ⓒ Ⓓ	3-16
图 12 Fig.12	排气系统 Exhaust system	Ⓔ Ⓕ Ⓖ Ⓗ	3-18
图 13 Fig.13	排气系统 Exhaust system	Ⓙ Ⓚ	3-20
图 14 Fig.14	冷却系统 Cooling system	Ⓐ Ⓑ	3-21
图 15 Fig.15	冷却系统 Cooling system	Ⓒ Ⓓ	3-23
图 16 Fig.16	冷却系统 Cooling system	Ⓔ Ⓕ Ⓖ Ⓗ	3-26
图 17 Fig.17	冷却系统 Cooling system	Ⓙ Ⓚ	3-28
图 18 Fig.18	燃油系统 Fuel system	Ⓐ Ⓑ Ⓒ Ⓓ	3-30
图 19 Fig.19	燃油系统 Fuel system	Ⓖ Ⓗ	3-32
图 20 Fig.20	燃油系统 Fuel system	Ⓔ Ⓕ	3-34
图 21 Fig.21	燃油系统 Fuel system	Ⓙ Ⓚ	3-36
图 22 Fig.22	发动机安装 Engine mount	Ⓐ Ⓑ Ⓒ Ⓓ	3-38
图 23 Fig. 23	发动机安装 Engine mount	Ⓔ Ⓕ Ⓖ Ⓗ	3-39
图 24 Fig. 24	发动机安装 Engine mount	Ⓙ Ⓚ	3-40

序号 Item	名称 Description	适用车型 Serial No.	页码 Page
图 25 Fig. 25	齿轮泵驱动装置 Device for gear pump	Ⓒ Ⓓ Ⓐ Ⓔ Ⓘ Ⓙ	3-41
图 26 Fig.26	LPG 管路系统 LPG pipe system	Ⓐ Ⓔ	3-42
图 27 Fig. 27	储气系统 LPG Storing system	1.5t~X5.5t 液化气叉车 1.5t~X5.5t LPG forklift truck	3-44
图 28 Fig. 28	钢瓶支架 LPG cylinder bracket	1.5t~X5.5t 液化气叉车 1.5t~X5.5t LPG forklift truck	3-45
图 29 Fig. 29	动力系统 Drive system	Ⓘ Ⓙ	3-46
图 30 Fig. 30	进气系统 Air intake system	Ⓘ Ⓙ	3-48
图 31 Fig. 31	排气系统 Exhaust system	Ⓘ Ⓙ	3-49
图 32 Fig. 32	冷却系统 Cooling system	Ⓘ Ⓙ	3-51
图 33 Fig. 33	燃油系统 Fuel system	Ⓘ Ⓙ	3-53
图 34 Fig. 34	发动机安装 Engine mount	Ⓘ Ⓙ	3-55
图 35 Fig. 35	动力系统 Drive system	Ⓜ Ⓝ Ⓜ ₁ Ⓝ ₁	3-56
图 36 Fig. 36	进气系统 Air intake system	Ⓜ Ⓝ Ⓜ ₁ Ⓝ ₁	3-57
图 37 Fig. 37	排气系统 Exhaust system	Ⓜ Ⓝ Ⓜ ₁ Ⓝ ₁	3-58
图 38 Fig. 38	冷却系统 Cooling system	Ⓜ ₁ Ⓝ ₁	3-59

图 39 Fig. 39	冷却系统 Cooling system	Ⓜ Ⓝ	3-62
图 40 Fig. 40	燃油系统 Fuel system	Ⓜ Ⓝ Ⓜ ₁ Ⓝ ₁	3-65
图 41 Fig. 41	发动机安装 Engine mount	Ⓜ ₁ Ⓝ ₁	3-67
图 42 Fig. 42	发动机安装 Engine mount	Ⓜ Ⓝ	3-68

图1 动力系统
Fig.1 Drive system

Ⓐ CPCD40/45-XRG76 Ⓑ CPCD50-XRXG76

序号 Item	物料码 Part NO.	名称 Description	数量 Qty	备注或适用车型 Remarks or Serial NO.
1	203010000269	柴油机 YC4DK90-T304 Diesel engine	1	
2	203100000504	进气系统 Air inlet system	1	
3	203300000682	冷却系统 Cooling system	1	
4	203200000675	排气系统 Exhaust system	1	
5	203500000311	发动机安装 Engine mount	1	
6	203400000304	燃油系统 Engine fuel system	1	
7	203010010413	ECU控制器 ECU controller	1	
8	300030040013	垫圈6 Washer 6	4	
9	300030010014	垫圈6 Washer 6	4	
10	300010040155	螺栓 M6×30 Bolt M6×30	4	
11	203010020120	齿轮泵驱动装置 Device for gear pump	1	
12	203600030013	油泵支架 Pump bracket	1	
13	300010060001	螺栓M12×1.5×40 Bolt	4	
14	300030010001	垫圈10 Washer 10	4	
15	201200010086	传动轴总成 Shaft	1	

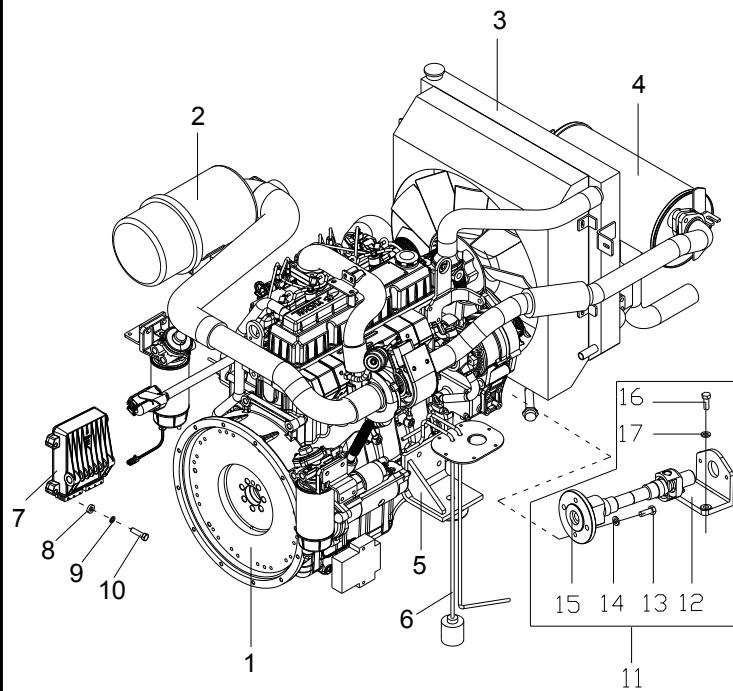
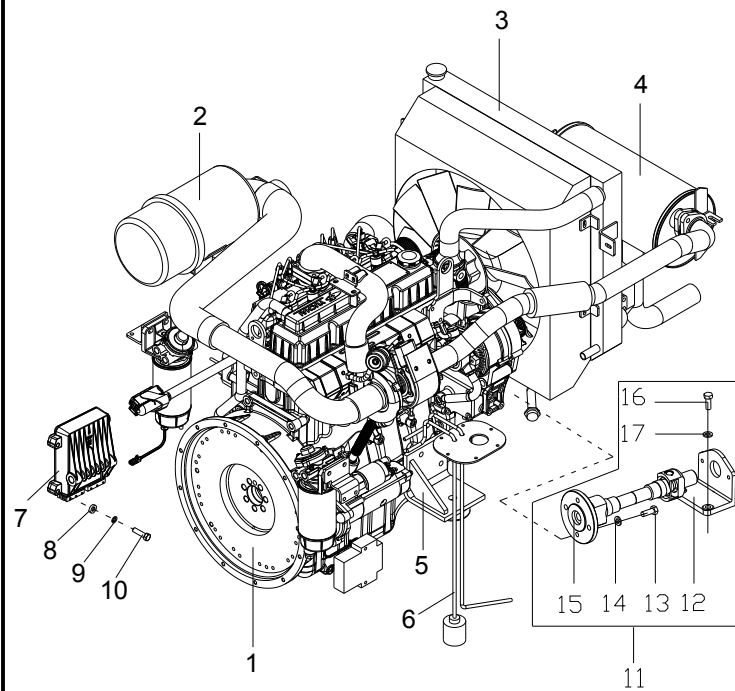


图1 动力系统
Fig.1 Drive system

Ⓐ CPCD40/45-XRG76 Ⓑ CPCD50-XRXG76



序号 Item	物料码 Part NO.	名称 Description	数量 Qty	备注或适用车型 Remarks or Serial NO.
16	300010040037	螺栓M12×40 Bolt M12×40	2	
17	300030010002	垫圈12 Washer 12	2	

图2 动力系统
Fig.2 Drive system

© CPCD40/45-XRG75 ① CPCD50-XRXG75

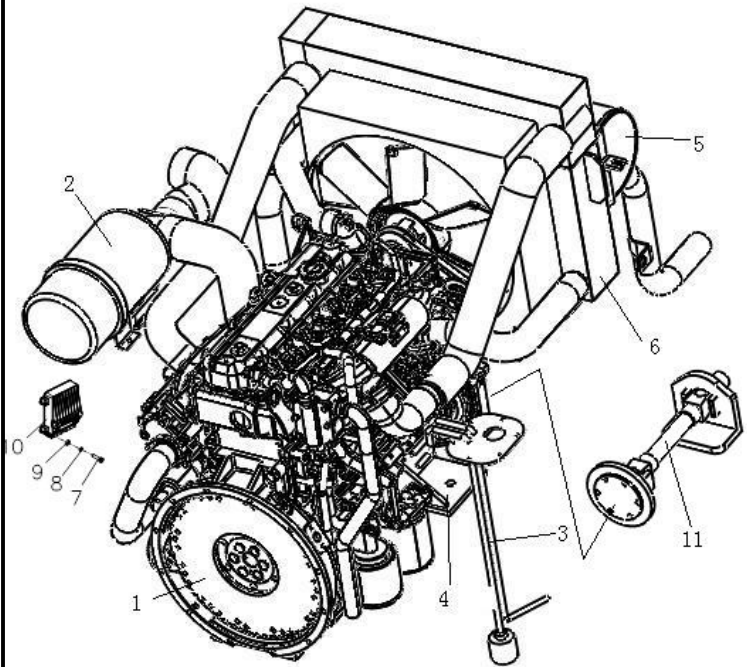
	序号 Item	物料码 Part NO.	名称 Description	数量 Qty	备注或适用车型 Remarks or Serial NO.
	1	203010000250	柴油机 CY4BG531-2 Diesel engine	1	
	2	203100000458	进气系统 Air inlet system	1	
	3	203400000273	燃油系统 Engine fuel system	1	
	4	203500000285	发动机安装 Engine mount	1	
	5	203200000610	排气系统 Exhaust system	1	
	6	203300000637	冷却系统 Cooling system	1	
	7	300030040013	垫圈6 Washer 6	2	
	8	300030010014	垫圈6 Washer 6	2	
	9	300010040155	螺栓 M6×30 Bolt M6×30	2	
	10	203010010376	ECU控制器 ECU controller	1	
	11	203010020118	齿轮泵驱动装置 Device for gear pump	1	Fig.25

图3 动力系统
Fig.3 Drive system

Ⓒ CPCD40/45-XRW35 Ⓓ CPCD50-XRXW35 Ⓔ CPCD40/45-XRW34 Ⓕ CPCD50-XRXW34

序号 Item	物料码 Part NO.	名称 Description	数量 Qty	备注或适用车型 Remarks or Serial NO.
1	300140010079	轴承6202 Axletree 6202	1	
2	300010040037	螺栓M12×40 Bolt M12×40	6	
3	300030010002	垫圈12 Washer 12	6	
4	203010030002	飞轮连接盘 Flywheel	1	
5	203010000097	柴油机,帕金斯 Diesel engine,Perkins	1	Ⓒ Ⓓ
5	203010000245	柴油机,帕金斯 Diesel engine,Perkins	1	Ⓔ Ⓕ
6	203500000055	发动机安装 Engine mount	1	
7	203200000606	排气系统 Exhaust system	1	Ⓒ Ⓓ
7	203200000689	排气系统 Exhaust system	1	Ⓔ Ⓕ
8	203300000634	冷却系统 Cooling system	1	
9	203010020016	齿轮泵驱动装置 Device for gear pump	1	
10	203100000455	进气系统 Air inlet system	1	Ⓒ Ⓓ
10	203100000523	进气系统 Air inlet system	1	Ⓔ Ⓕ
11	203400000272	燃油系统 Engine fuel system	1	Ⓒ Ⓓ
11	203400000311	燃油系统 Engine fuel system	1	Ⓔ Ⓕ

图3 动力系统
Fig.3 Drive system

Ⓒ CPCD40/45-XRW35 Ⓓ CPCD50-XRXW35 Ⓔ CPCD40/45-XRW34 Ⓕ CPCD50-XRXW34

序号 Item	物料码 Part NO.	名称 Description	数量 Qty	备注或适用车型 Remarks or Serial NO.
12	203600030013	油泵支架 Pump bracket	1	
13	203010020032	螺栓 Bolt	4	
14	300030010001	垫圈10 Washer 10	4	
15	203010020026	传动轴总成 Shaft	1	
16	300010040037	螺栓M12×40 Bolt M12×40	2	
17	300030010002	垫圈12 Washer 12	2	

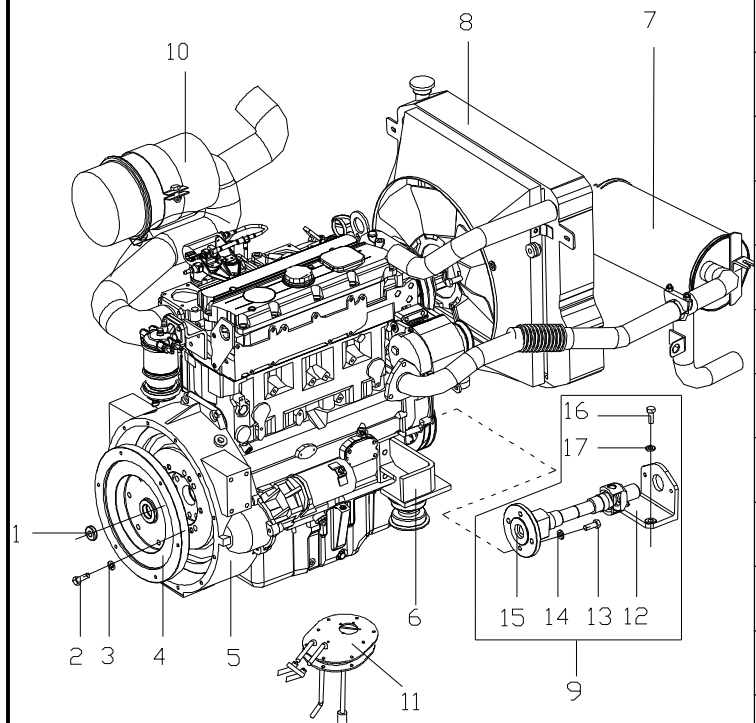


图4 动力系统
Fig.4 Drive system

Ⓚ CPQYD40/45-XRW57 Ⓛ CPQYD50-XRXW57

序号 Item	物料码 Part NO.	名称 Description	数量 Qty	备注或适用车型 Remarks Or Serial NO.
1	300010040018	螺栓 M10×45 Bolt M10×45	10	
2	300030010001	垫圈10 Washer 10	14	
3	203010040002	飞轮壳 Flywheel casing	1	
4	203010000256	汽油机 GM4.3L LX Gas engine GM4.3L LX	1	<2017-1-11 双燃料发动机 Dual fuel engine
4	203010000276	汽油机 GM4.3L LX Gas engine GM4.3L LX	1	≥2017-1-11 <2018-7-12 双燃料发动机 Dual fuel engine
4	203010000307	汽油机 GM4.3L LX Gas engine GM4.3L LX	1	≥2018-7-12 双燃料发动机 Dual fuel engine
5	203500000028	发动机安装 Engine mount	1	
6	203400000276	燃油系统 Engine fuel system	1	
7	203300040002	垫块 cushion	1	
8	310010100028	螺柱 stud	4	
9	300020280002	螺母 M8 Nut M8	4	
10	203010020007	齿轮泵驱动装置 Device for gear pump	1	

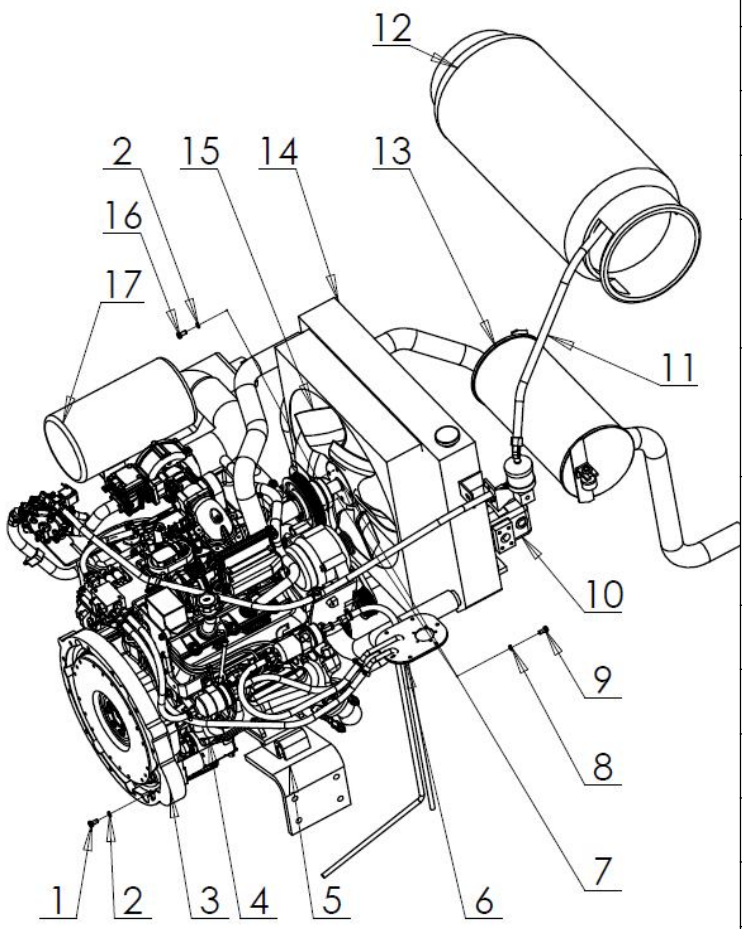


图4 动力系统
Fig.4 Drive system

Ⓚ CPQYD40/45-XRW57 Ⓛ CPQYD50-XRXW57

序号 Item	物料码 Part NO.	名称 Description	数量 Qty	备注或适用车型 Remarks Or Serial NO.
11	203600000107	LPG 燃油系统 LPG fuel system	1	<2018-7-12
11	203600000128	LPG 燃油系统 LPG fuel system	1	≥2018-7-12
12	203600000016	储气系统 Air storage system	1	
13	203200000616	排气系统 Exhaust system	1	
14	203300000642	冷却系统 Cooling system	1	
15	203300200085	风扇总成 Fan assy	1	
16	300010040005	螺栓 M10×20 Bolt M10×20	4	
17	203100000461	进气系统 Air intake system	1	<2018-7-12
17	203100000605	进气系统 Air intake system	1	≥2018-7-12

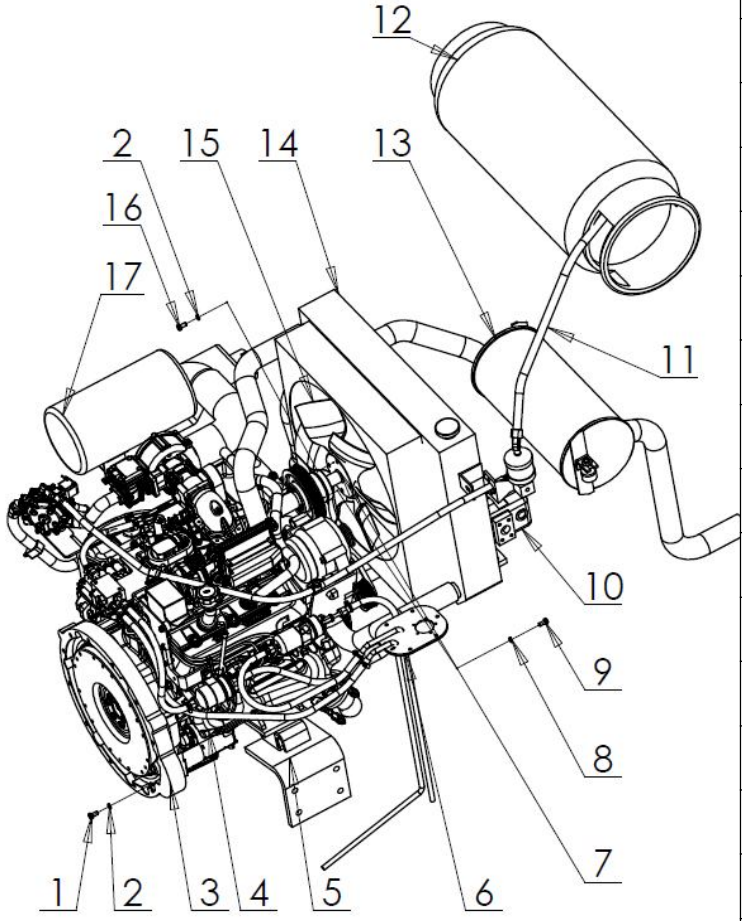


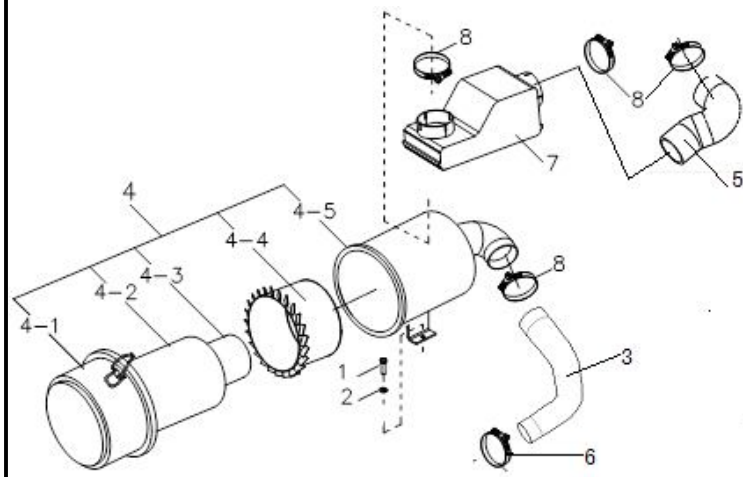
图5 进气系统
Fig.5 Air intake system

Ⓐ CPCD40/45-XRG76 Ⓑ CPCD50-XRXG76

序号 Item	物料码 Part NO.	名称 Description	数量 Qty	备注或适用车型 Remarks Or Serial NO.
1	300010040173	螺栓 M8×20 Bolt M8×20	2	
2	300030010015	垫圈8 Washer 8	2	
3	203100010945	发动机进气管 Admitting pipe	1	
4	203100050197	空气滤清器总成 Air cleaner	1	
4-1	NO PART NO.	滤清器盖 Cover	1	
4-2	810300000004	外滤芯 Outer filter paper	1	
4-3	810300000005	内滤芯 Inner filter paper	1	
4-4	810300000006	风叶 Blade	1	
4-5	NO PART NO.	滤清器壳 Shell	1	
5	203100030004	进气消声器 intake muffler	1	
6	209990000606	蜗杆传动式软管环箍89 Clamp 89	4	
7	203100010847	进气管 Air intake pipe	1	
8	209990000609	蜗杆传动式软管环箍95 Clamp 95	1	

图6 进气系统
Fig.6 Air intake system

© CPCD40/45-XRG75 ④ CPCD50-XXRG75



序号 Item	物料码 Part NO.	名称 Description	数量 Qty	备注或适用车型 Remarks Or Serial NO.
1	300010040173	螺栓 M8×20 Bolt M8×20	2	
2	300030010015	垫圈8 Washer 8	2	
3	203100010832	发动机进气管 Admitting pipe	1	
4	203100050061	空气滤清器总成 Air cleaner	1	
4-1	NO PART NO.	滤清器盖 Cover	1	
4-2	810300000004	外滤芯 Outer filter paper	1	
4-3	810300000005	内滤芯 Inner filter paper	1	
4-4	810300000006	风叶 Blade	1	
4-5	NO PART NO.	滤清器壳 Shell	1	
5	203100010847	进气管 Air intake pipe	1	
6	310060010020	T形抱箍 70 Snap ring	1	
7	203100030004	进气消声器 intake muffler	1	
8	209990000606	蜗杆传动式软管环箍89 Clamp 89	4	

图7 进气系统
Fig.7 Air intake system

Ⓒ CPCD40/45-XRW35 Ⓓ CPCD50-XRXW35

序号 Item	物料码 Part NO.	名称 Description	数量 Qty	备注或适用车型 Remarks or Serial NO.
1	300010040173	螺栓 M8×20 Bolt M8×20	2	
2	300030010015	垫圈8 Washer 8	2	
3	310060040007	T型卡箍 87 Snap ring	2	
4	203100050061	空气滤清器总成 Air cleaner	1	
4-1	NO PART NO.	滤清器盖 Cover	1	
4-2	810300000004	外滤芯 Outer filter paper	1	
4-3	810300000005	内滤芯 Inner filter paper	1	
4-4	810300000006	风叶 Blade	1	
4-5	NO PART NO.	滤清器壳 Shell	1	
5	203100010831	发动机进气管 Admitting pipe	1	
6	209990000606	蜗杆传动式软管环箍89 Clamp 89	2	
7	203100030004	进气消声器 intake muffler	1	
8	209990000609	蜗杆传动式软管环箍95 Clamp 95	1	
9	203100010847	进气管 Air intake pipe	1	

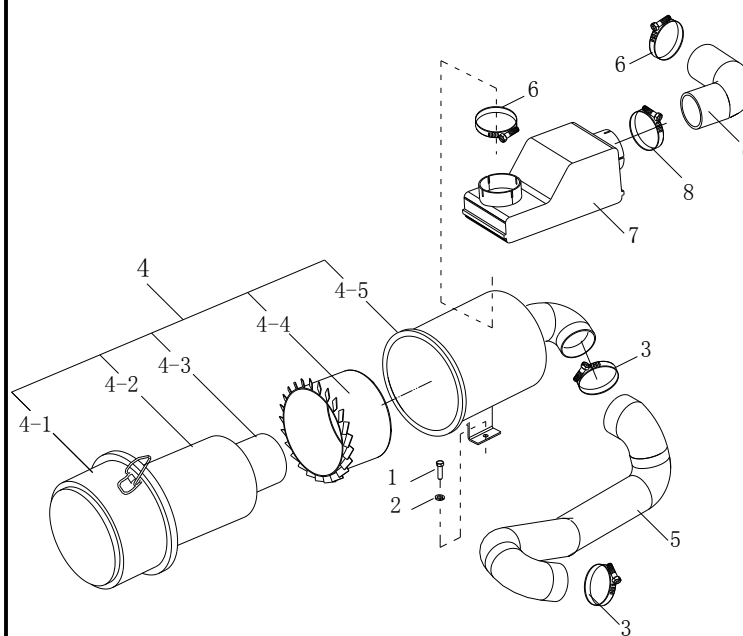


图8 进气系统
Fig.8 Air intake system

Ⓔ CPCD40/45-XRW34 Ⓕ CPCD50-XRXW34

序号 Item	物料码 Part NO.	名称 Description	数量 Qty	备注或适用车型 Remarks or Serial NO.
1	300010040173	螺栓 M8×20 Bolt M8×20	2	
2	300030010015	垫圈8 Washer 8	2	
3	300030190008	垫圈 8 Washer 8	2	
4	203100050061	空气滤清器总成 Air cleaner	1	
4-1	NO PART NO.	滤清器盖 Cover	1	
4-2	810300000004	外滤芯 Outer filter paper	1	
4-3	810300000005	内滤芯 Inner filter paper	1	
4-4	810300000006	风叶 Blade	1	
4-5	NO PART NO.	滤清器壳 Shell	1	
5	203100010991	发动机进气管 Admitting pipe	1	
6	310060040007	T型卡箍 87 Snap ring	4	
7	203100030004	进气消声器 intake muffler	1	
8	209990000606	蜗杆传动式软管环箍89 Clamp 89	3	
9	203100010847	进气管 Air intake pipe	1	
10	203100080049	发动机进气管总成 Air intake pipe	1	

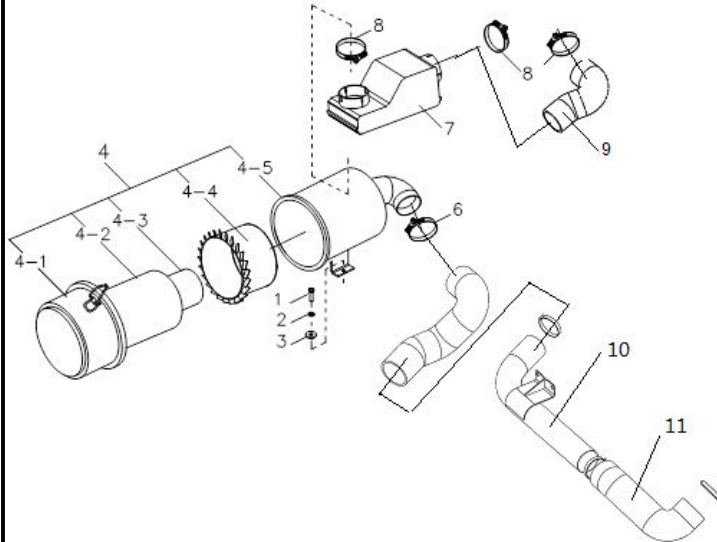


图9 进气系统
Fig.9 Air intake system

Ⓚ CPQYD40/45-XRW57 Ⓛ CPQYD50-XRXW57

序号 Item	物料码 Part NO.	名称 Description	数量 Qty	备注或适用车型 Remarks or Serial NO.
1	300010040173	螺栓 M8×20 Bolt M8×20	2	
2	300030010015	垫圈8 Washer 8	2	
3	209990000606	蜗杆传动式软管环箍89 Clamp 89	4	
4	203100050061	空气滤清器总成 Air cleaner	1	
4-1	NO PART NO.	滤清器盖 Cover	1	
4-2	810300000004	外滤芯 Outer filter paper	1	
4-3	810300000005	内滤芯 Inner filter paper	1	
4-4	810300000006	风叶 Blade	1	
4-5	NO PART NO.	滤清器壳 Shell	1	
5	203100010301	进气管 Air intake pipe	1	
6	203100030004	进气消声器 Air intake muffler	1	
7	209990000609	蜗杆传动式软管环箍95 Clamp 95	1	
8	203100010847	进气管 Air intake pipe	1	<2018-7-12
8	203100010312	进气管 Air intake pipe	1	≥2018-7-12
9	300010040151	螺栓M6×20 Bolt M6×20	1	

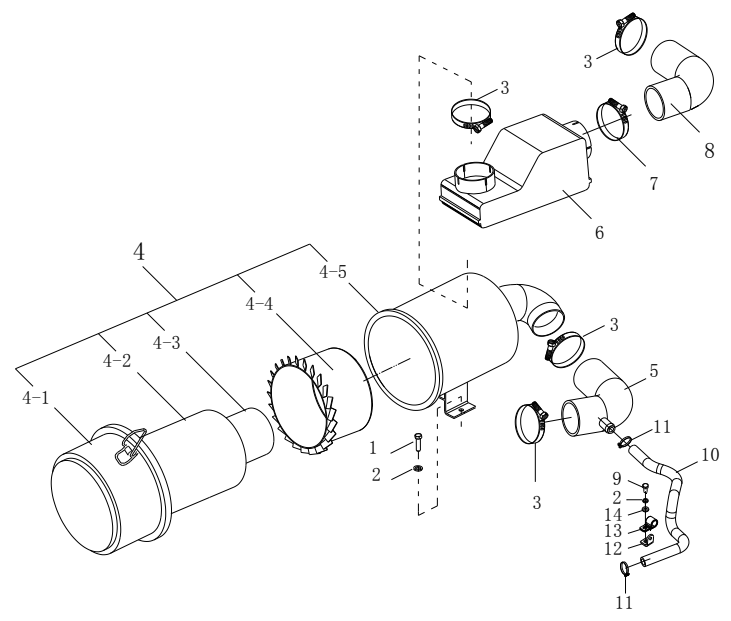


图9 进气系统
Fig.9 Air intake system

Ⓚ CPQYD40/45-XRW57 Ⓛ CPQYD50-XRXW57

序号 Item	物料码 Part NO.	名称 Description	数量 Qty	备注或适用车型 Remarks or Serial NO.
10	203100010250	低压胶管 Low pressure hose	1	
12	203100090086	支架 Support	1	
13	207900080028	扎带 ribbon	1	
14	300030010014	垫圈 6 Washer 6	1	

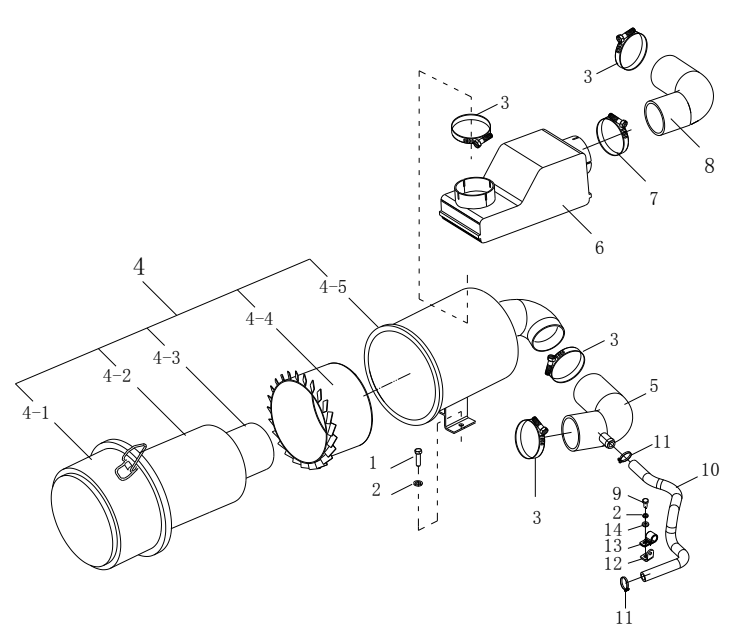
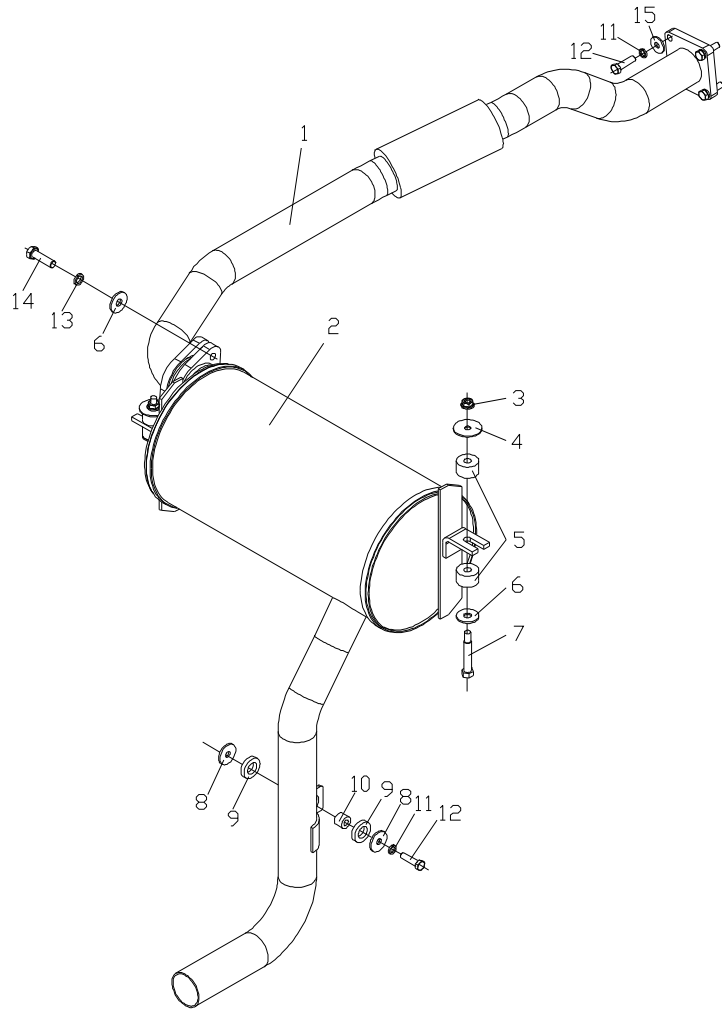


图 10 排气系统
Fig. 10 Exhaust system

Ⓐ CPCD40/45-XRG76 Ⓑ CPCD50-XRXG76



序号 Item	物料码 Part NO.	名称 Description	数量 Qty	备注或适用车型 Remarks or Serial NO.
1	203200081766	排气管 Exhaust pipe	1	
2	203200180622	消声器总成 Muffler assy	1	
3	300020280002	螺母M8 Nut M8	2	
4	203200100079	垫圈 Washer	2	
5	203200070010	缓冲垫 Shock pad	4	
6	300030190001	垫圈10 Washer 10	4	
7	203200100083	螺栓 Bolt	2	
8	203200220029	垫片 Washer	2	
9	203200070008	橡胶垫 Pad	2	
10	203200080611	套管 pipe	1	
11	300030010015	垫圈8 Washer 8	5	
12	300010040178	螺栓 M8×30 Bolt M8×30	5	
13	300030010001	垫圈10 Washer 10	4	
14	300010040011	螺栓 M10×35 Bolt M10×35	2	
15	300030190008	垫圈8 Washer 8	4	

图 11 排气系统
Fig.11 Exhaust system

© CPCD40/45-XRG75 ④ CPCD50-XRXG75

序号 Item	物料码 Part NO.	名称 Description	数量 Qty	备注或适用车型 Remarks Or Serial NO.
1	300010040015	螺栓 M10×35 Bolt M10×35	4	
2	300030010001	垫圈10 Washer 10	4	
3	203200090672	排气管 Exhaust pipe	1	
4	203200081571	球面垫片 Pad	1	发动机配 Supply by engine
5	300020280002	螺母M8 Nut M8	2	
6	203200100079	垫圈 Washer	2	
7	203200070010	缓冲垫 Shock pad	4	
8	300030190001	垫圈10 Washer 10	6	
9	203200100083	螺栓 Bolt	2	
10	203200220029	垫片 Washer	2	
11	203200070008	橡胶垫 Pad	2	
12	203200080611	套管 pipe	1	
13	300030010015	垫圈8 Washer 8	2	
14	300010040178	螺栓 M8×30 Bolt M8×30	1	
15	203200180619	消声器总成 Muffler assy	1	

图 11 排气系统
Fig.11 Exhaust system

© CPCD40/45-XRG75 Ⓞ CPCD50-XRXG75

序号 Item	物料码 Part NO.	名称 Description	数量 Qty	备注或适用车型 Remarks Or Serial NO.
16	203200100120	管夹 Snap ring	1	
17	300030190008	垫圈8 Washer 8	1	

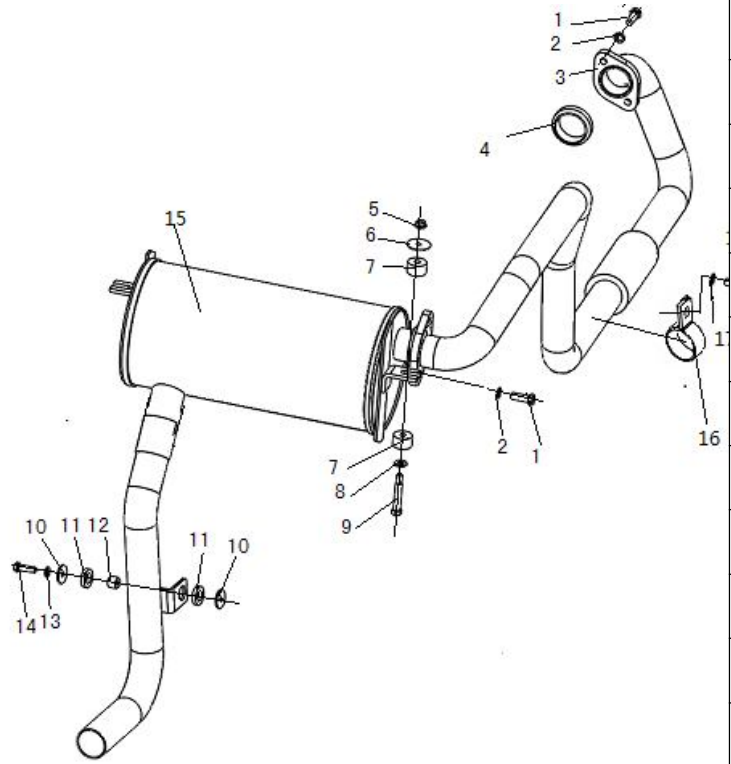
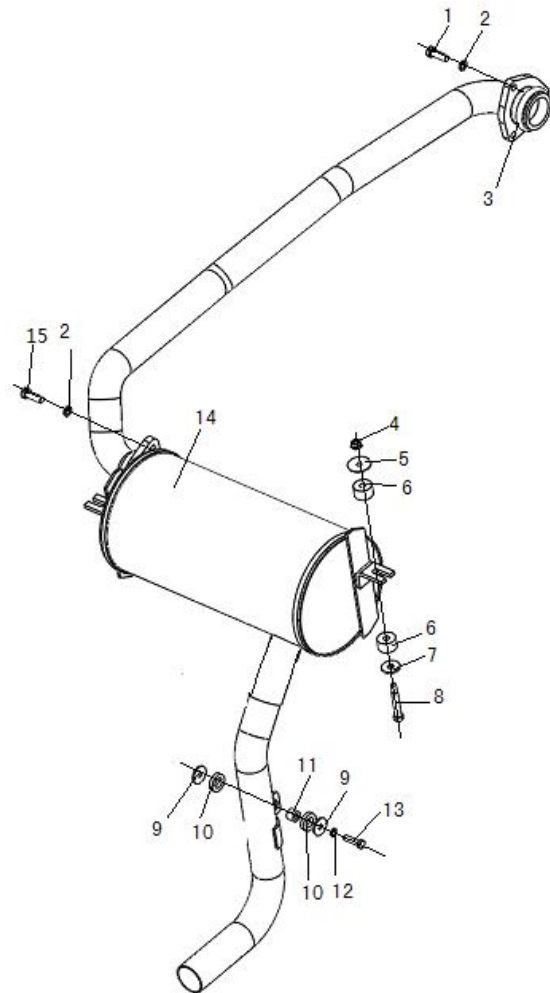


图 12 排气系统
Fig. 12 Exhaust system

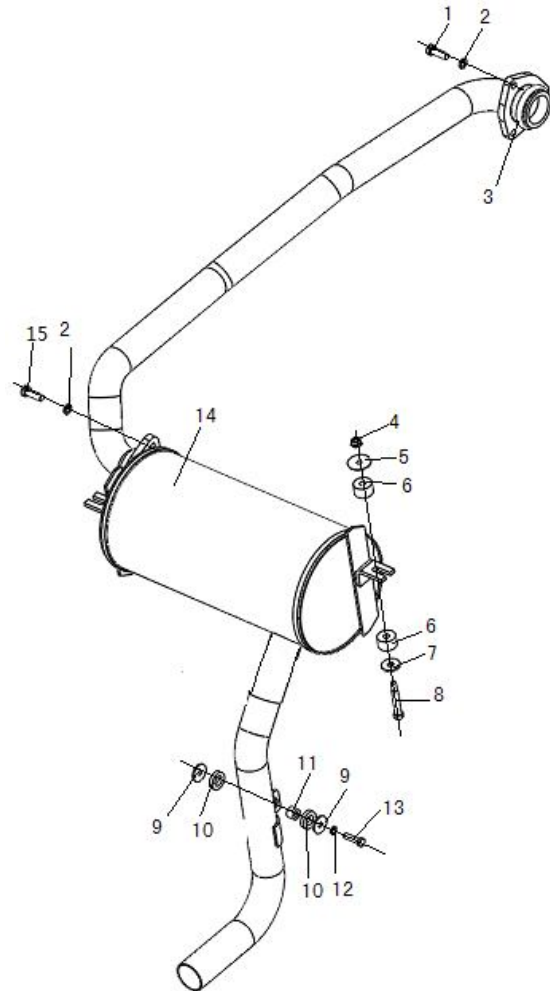
Ⓒ CPCD40/45-XRW35 Ⓓ CPCD50-XRXW35 Ⓔ CPCD40/45-XRW34 Ⓕ CPCD50-XRXW34



序号 Item	物料码 Part NO.	名称 Description	数量 Qty	备注或适用车型 Remarks or Serial NO.
1	300010040011	螺栓 M10×30 Bolt M10×30	1	
2	300030010001	垫圈10 Washer 10	4	
3	203200090669	排气管 Exhaust pipe	1	Ⓒ Ⓓ
3	203200090783	排气管总成 Exhaust pipe	1	Ⓔ Ⓕ
4	300020280002	螺母M8 Nut M8	2	
5	203200100079	垫圈 Washer	2	
6	203200070010	缓冲垫 Shock pad	4	
7	300030190001	垫圈10 Washer 10	2	
8	203200100083	螺栓 Bolt	2	
9	203200220029	垫片 Washer	2	
10	203200070008	橡胶垫 Pad	2	
11	203200080611	套管 pipe	1	
12	300030010015	垫圈8 Washer 8	1	
13	300010040178	螺栓 M8×30 Bolt M8×30	1	
14	203200180622	消声器总成 Muffler assy	1	

图 12 排气系统
 Fig. 12 Exhaust system

Ⓒ CPCD40/45-XRW35 Ⓓ CPCD50-XRXW35 Ⓔ CPCD40/45-XRW34 Ⓕ CPCD50-XRXW34



序号 Item	物料码 Part NO.	名称 Description	数量 Qty	备注或适用车型 Remarks or Serial NO.
15	300010040013	螺栓 M10×35 Bolt M10×35	2	

图 13 排气系统
Fig. 13 Exhaust system

Ⓚ CPQYD40/45-XRW57 Ⓛ CPQYD50-XRXW57

序号 Item	物料码 Part NO.	名称 Description	数量 Qty	备注或适用车型 Remarks or Serial NO.
1	203200090688	排气管总成 Exhaust pipe	1	
2	300020280002	螺母M8 Nut M8	2	
3	203200100079	垫圈 Washer	2	
4	203200070010	缓冲垫 Shock pad	4	
5	300030190001	垫圈10 Washer 10	2	
6	203200100083	螺栓 Bolt	2	
7	203200220029	垫片 Washer	2	
8	203200070008	橡胶垫 Pad	2	
9	203200080611	套管 pipe	1	
10	300030010015	垫圈8 Washer 8	1	
11	300010040178	螺栓 M8×30 Bolt M8×30	1	
12	300030010001	垫圈10 Washer 10	2	
13	300010040013	螺栓 M10×35 Bolt M10×35	2	
14	203200180619	消声器总成 Muffler assy	1	

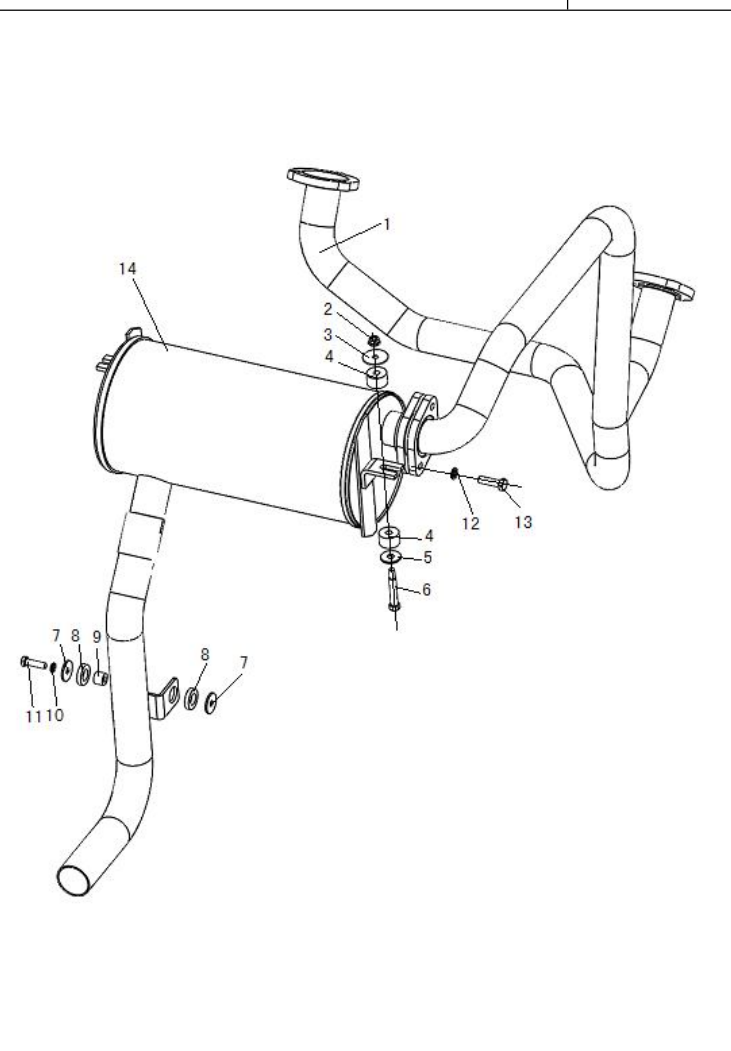


图 14 冷却系统
Fig.14 Cooling system

Ⓐ CPCD40/45-XRG76 Ⓑ CPCD50-XRXG76

序号 Item	物料码 Part NO.	名称 Description	数量 Qty	备注或适用车型 Remarks or Serial NO.
1	203300091301	散热器进水管 Water inlet pipe	1	
2	203300061288	护风圈总成 Fan shroud assy	1	
3	209990000523	双钢丝式环箍52 Clamp 52	3	
4	203300140347	散热器总成 Radiator assy	1	
5	300010040173	螺栓 M8×20 Bolt M8×20	4	
6	300030010015	垫圈8 Nut 8	8	
7	300030190008	垫圈 8 Washer 8	6	
8	203300120001	膨胀水箱 Expansion water box	1	
9	209990000499	双钢丝式环箍12 Clamp 12	2	
10	203300220095	膨胀水箱支架 Bracket	1	
11	300020280002	螺母M8 Nut M8	2	
12	300010040185	螺栓 M8×50 Bolt M8×50	2	
13	203300080001	环状减震器 Cushion	4	
14	300030040014	垫圈 8 Washer 8	4	
15	209990000526	双钢丝式环箍58 Clamp 58	1	

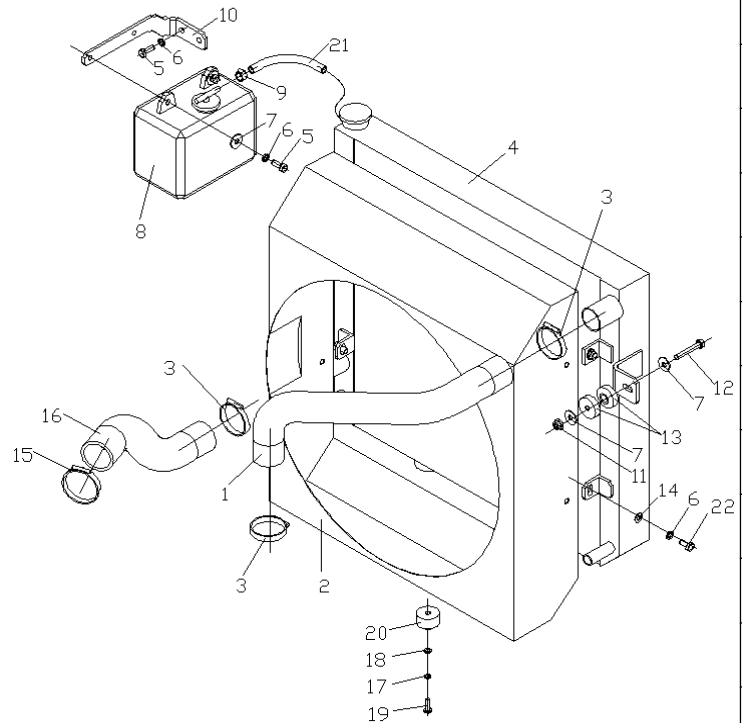
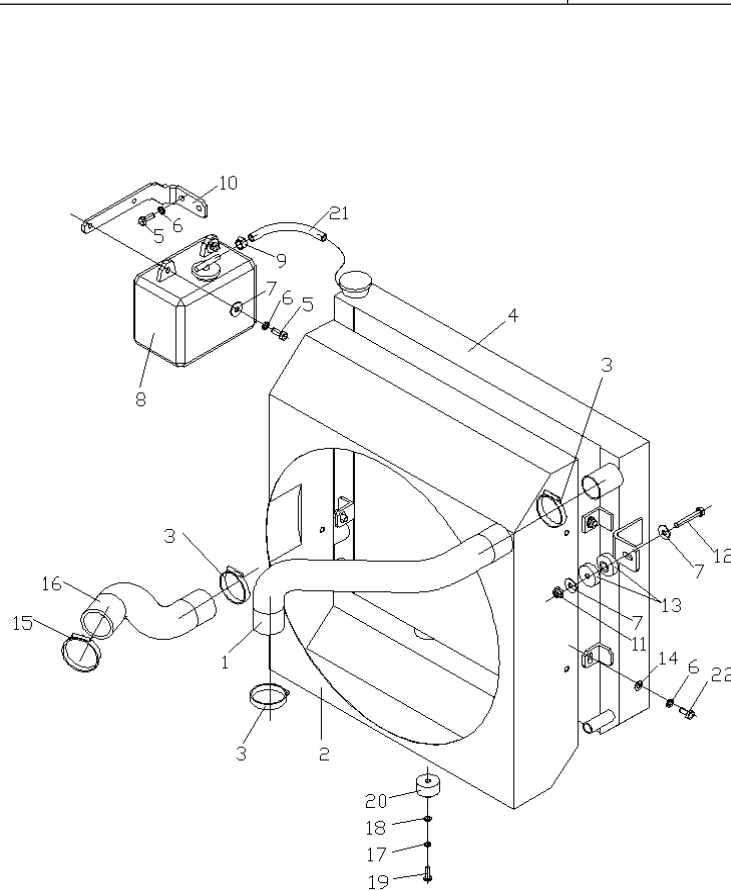


图 14 冷却系统
Fig.14 Cooling system

Ⓐ CPCD40/45-XRG76 Ⓑ CPCD50-XRXG76



序号 Item	物料码 Part NO.	名称 Description	数量 Qty	备注或适用车型 Remarks or Serial NO.
16	203300091287	散热器出水管 Water outlet pipe	1	
17	300030010014	垫圈 6 Washer 6	2	
18	300030040013	垫圈 6 Washer 6	2	
19	300040170027	螺钉 M6×12 Screw M6×12	2	
20	203300080003	环状减震垫 Shock pad	2	
21	203300091051	副水箱接管 Pipe	1	
22	300010040169	螺栓 M8×16 Bolt M8×16	4	

图 15 冷却系统
Fig.15 Cooling system

© CPCD40/45-XRG75 ④ CPCD50-XRXG75

序号 Item	物料码 Part NO.	名称 Description	数量 Qty	备注或适用车型 Remarks or Serial NO.
1	300010040173	螺栓 M8×20 Bolt M8×20	4	
2	300030010015	垫圈8 Nut 8	8	
3	300030190008	垫圈 8 Washer 8	6	
4	203300120001	膨胀水箱 Expansion water box	1	
5	209990000499	双钢丝式环箍12 Clamp 12	2	
6	203300091051	副水箱接管 Pipe	1	
7	203300220095	膨胀水箱支架 support	1	
8	203300140314	散热器总成 Radiator assy	1	<2018-05-17
8	203300140415	散热器总成 Radiator assy	1	≥2018-05-17
9	203300061170	护风圈总成 Fan shroud assy	1	
10	203300091099	中冷器进气管 Air intake takeover	1	
11	310060010040	T型卡箍 74 Anchor ear	7	
12	310060010032	T型抱箍 70 Anchor ear	1	
13	209990000527	双钢丝式环箍60 Clamp 60	2	
14	203300091094	散热器进水管 Water inlet pipe	1	

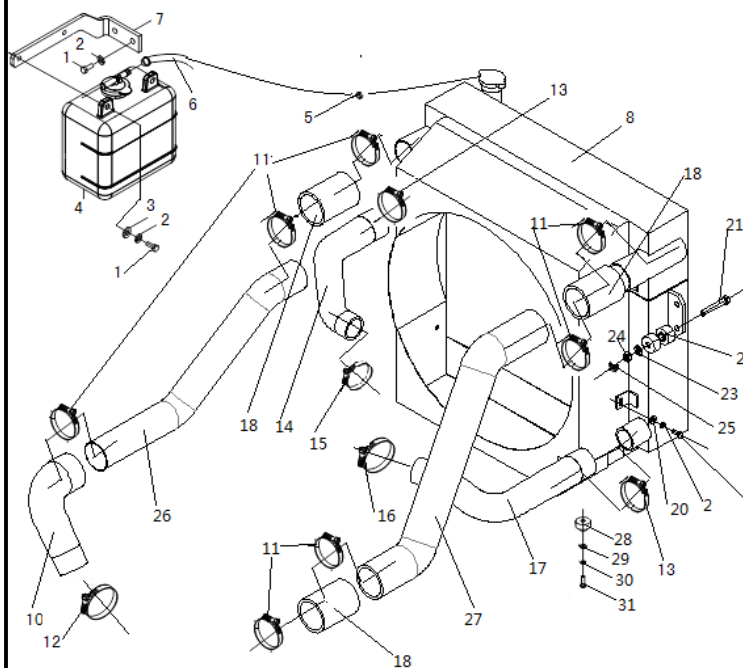


图 15 冷却系统
Fig.15 Cooling system

© CPCD40/45-XRG75 ④ CPCD50-XRXG75

序号 Item	物料码 Part NO.	名称 Description	数量 Qty	备注或适用车型 Remarks or Serial NO.
15	209990000523	双钢丝式环箍52 Clamp 52	1	
16	209990000524	双钢丝式环箍55 Clamp 55	1	
17	203300091067	散热器出水管 Water outlet pipe	1	
18	203300091110	中冷器出气管 Escape pipe	1	
19	300010040169	螺栓 M8×16 Bolt M8×16	4	
20	300030040013	垫圈6 Washer 6	4	
21	300010030017	螺栓M10×65 Bolt M8×65	4	
22	203300070004	缓冲垫 Shock pad	8	
23	300030040002	垫圈 10 Washer10	4	
24	300030010001	垫圈 10 Washer 10	4	
25	300020010006	螺母 M10 Nut M10	4	
26	203300170166	中冷器进气钢管 Air intake takeover	1	
27	203300170167	中冷器出气管 Escape pipe	1	
28	203300080003	环状减震垫 Shock pad	2	
29	300030040013	垫圈 6 Washer 6	2	

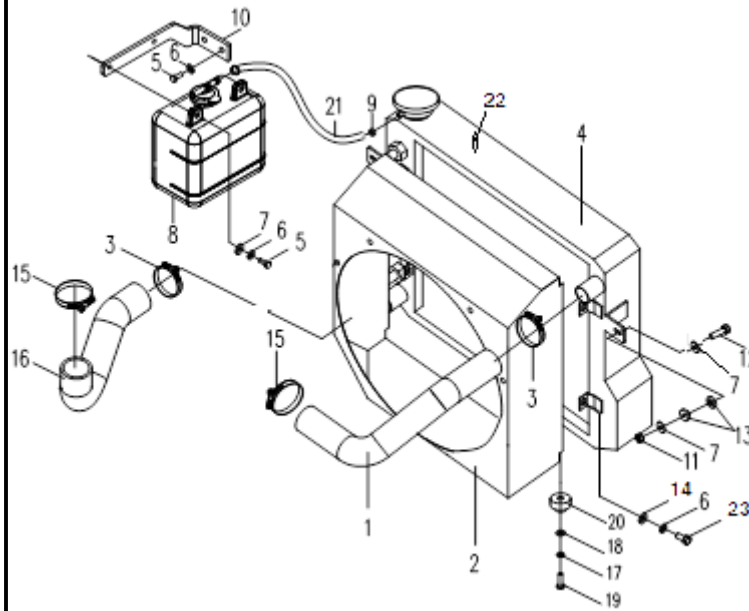
图 16 冷却系统
Fig.16 Cooling system

Ⓒ CPCD40/45-XRW35 Ⓓ CPCD50-XRXW35 Ⓔ CPCD40/45-XRW34 Ⓕ CPCD50-XRXW34

序号 Item	物料码 Part NO.	名称 Description	数量 Qty	备注或适用车型 Remarks or Serial NO.
1	203300091091	散热器进水管 Water inlet pipe	1	
2	203300061167	护风圈总成 Fan shroud assy	1	
3	209990000521	双钢丝式环箍48 Clamp 48	2	
4	203300140312	散热器总成 Radiator assy	1	
5	300010040173	螺栓 M8×20 Bolt M8×20	4	
6	300030010015	垫圈8 Nut 8	8	
7	300030190008	垫圈 8 Washer 8	6	
8	203300120001	膨胀水箱 Expansion water box	1	
9	209990000499	双钢丝式环箍12 Clamp 12	2	
10	203300220095	膨胀水箱支架 Bracket	1	
11	300020280002	螺母M8 Nut M8	2	
12	300010040185	螺栓 M8×50 Bolt M8×50	2	
13	203300080001	环状减震器 Cushion	2	
14	300030040014	垫圈 8 Washer 8	4	
15	209990000528	双钢丝式环箍62 Clamp 62	1	

图 16 冷却系统
Fig.16 Cooling system

Ⓒ CPCD40/45-XRW35 Ⓓ CPCD50-XRXW35 Ⓔ CPCD40/45-XRW34 Ⓕ CPCD50-XRXW34



序号 Item	物料码 Part NO.	名称 Description	数量 Qty	备注或适用车型 Remarks or Serial NO.
16	203300091064	散热器出水管 Water outlet pipe	1	
17	300030010014	垫圈 6 Washer 6	2	
18	300030040013	垫圈 6 Washer 6	2	
19	300040170027	螺钉 M6×12 Screw M6×12	2	
20	203300080003	环状减震垫 Shock pad	2	
21	203300091051	副水箱接管 Pipe	1	
22	207900080028	扎带 Ribbon	2	
23	300010040169	螺栓 M8×16 Bolt M8×16	4	

图 17 冷却系统
Fig.17 Cooling system

Ⓚ CPQYD40/45-XRW57 Ⓛ CPQYD50-XRXW57

序号 Item	物料码 Part NO.	名称 Description	数量 Qty	备注或适用车型 Remarks or Serial NO.
1	209990000523	双钢丝式环箍 52 Clamp 52	2	
2	203300091098	散热器进水管 Water inlet pipe	1	
3	203300120001	膨胀水箱 Expansion water box	1	
4	203300220095	膨胀水箱支架 support	1	
5	300010040173	螺栓 M8×20 Bolt M8×20	4	
6	300030010015	垫圈 8 Washer 8	8	
7	300030190008	垫圈 8 Washer 8	6	
8	209990000499	双钢丝式环箍 12 Clamp 12	2	
9	203300091051	副水箱接管 Pipe	1	
10	203300140318	散热器总成 Radiator assy	1	
11	300010030185	螺栓 M8×50 Bolt M8×50	2	
12	300030040014	垫圈 8 Washer 8	4	
13	203300080001	环状减震器 Shock pad	4	
14	300020280002	螺母 M8 Nut M8	2	
15	300010040169	螺栓 M8×16 Bolt M8×16	4	

图 17 冷却系统
Fig.17 Cooling system

Ⓚ CPQYD40/45-XRW57 Ⓛ CPQYD50-XRXW57

序号 Item	物料码 Part NO.	名称 Description	数量 Qty	备注或适用车型 Remarks or Serial NO.
16	203300080003	环状减震器 Shock pad	2	
17	300030040013	垫圈6 Washer 6	2	
18	300030010014	垫圈 6 Washer 6	2	
19	300040170027	螺钉M6×12 Screw M6×12	2	
20	203300091070	散热器出水管 Rubber pipe for outlet	1	
21	203300061178	护风圈总成 Fan shroud assy	1	
22	209990000526	双钢丝式环箍 58 Clamp 58	1	
23	209990000522	双钢丝式环箍 50 Clamp 50	1	
24	207900080028	扎带 Ribbon	2	

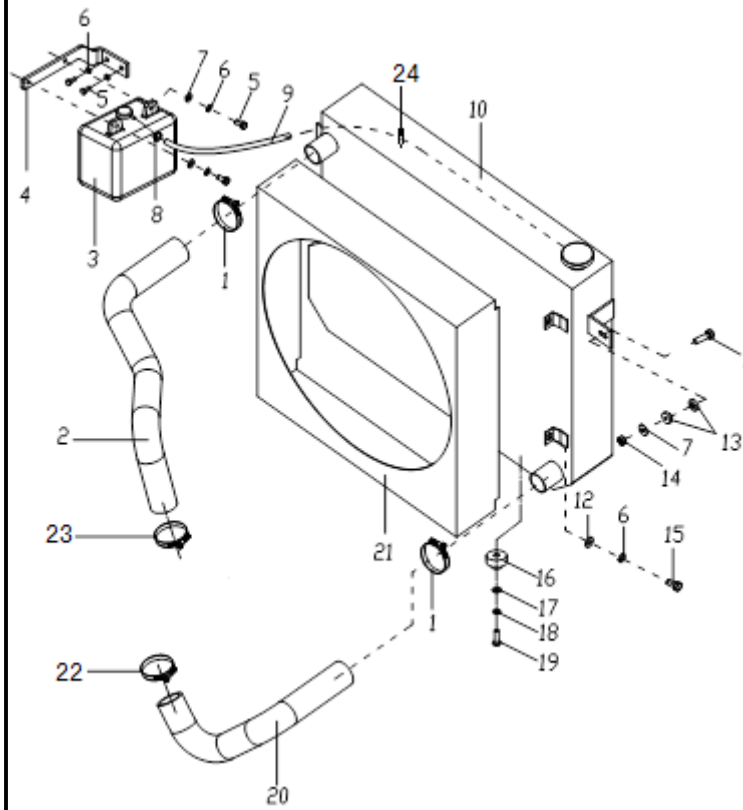


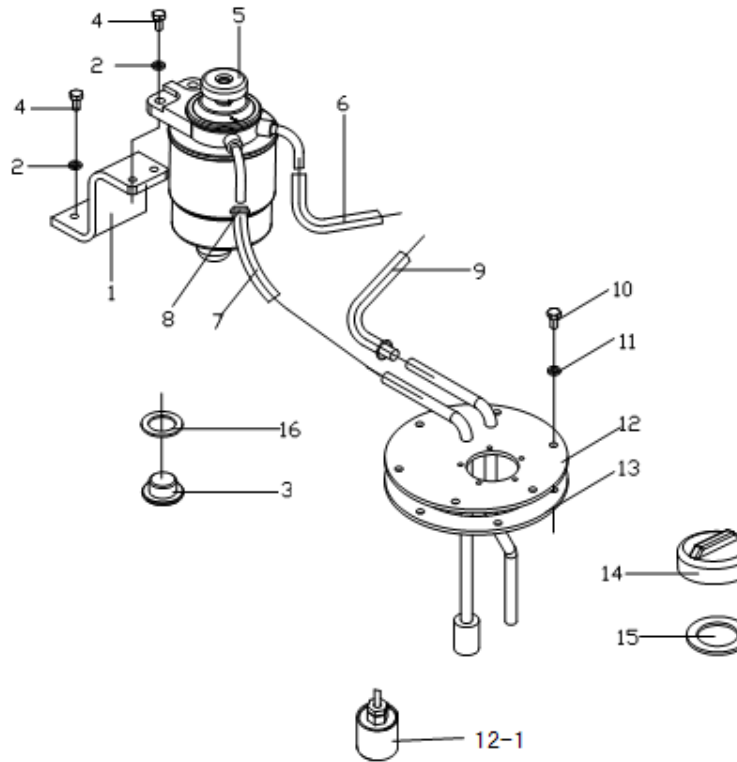
图 18 燃油系统
Fig.18 Fuel system

Ⓐ CPCD40/45-XRG76 Ⓑ CPCD50-XRXG76 Ⓒ CPCD40/45-XRG75 Ⓓ CPCD50-XRXG75

序号 Item	物料码 Part NO.	名称 Description	数量 Qty	备注或适用车型 Remarks or Serial NO.
1	203400180106	油水分离器支架 Bracket	1	Ⓐ Ⓑ
1	203400160166	油水分离器支架 Bracket	1	Ⓒ Ⓓ
2	300030010015	垫圈8 Washer	4	
3	203400040002	螺塞 Plug	1	
4	300010040169	螺栓M8×16 Bolt M8×16	4	
5	203400170059	油水分离器 Oil-water separator	1	Ⓐ Ⓑ
5		油水分离器 Oil-water separator		Ⓒ Ⓓ 发动机配
6	203400070572	输油胶管Φ10×3.5 HoseΦ10×3.5	1	
7	203400070470	输油胶管Φ10×3.5 HoseΦ10×3.5	1	
8	209990000833	蜗杆传动式软管环箍16 Clamp	4	
9	203400070468	输油胶管Φ10×3.5 HoseΦ10×3.5	1	
10	300010040148	螺栓M6X16 Bolt	4	Ⓐ Ⓑ
10	300010040148	螺栓M6X16 Bolt	6	Ⓒ Ⓓ
11	300030140011	垫圈6 Washer	4	Ⓐ Ⓑ
11	300030140011	垫圈6 Washer	6	Ⓒ Ⓓ

图 18 燃油系统
Fig.18 Fuel system

Ⓐ CPCD40/45-XRG76 Ⓑ CPCD50-XRXG76 Ⓒ CPCD40/45-XRG75 Ⓓ CPCD50-XRXG75



序号 Item	物料码 Part NO.	名称 Description	数量 Qty	备注或适用车型 Remarks or Serial NO.
12	203400110229	燃油箱盖组件 Cover of fuel case	1	
12-1	203400110003	燃油滤芯 Suction filter	1	
13	207900060005	垫 Pad	1	
14	209990010747	燃油箱盖 Cover of fuel case	1	
15	203400020001	磁铁 Ring magnetic iron	1	
16	300030140007	垫圈24 Washer	1	
17	300010040005	螺栓M10X20 Bolt	2	Ⓐ Ⓑ
18	300030010001	垫圈10 Washer	2	Ⓐ Ⓑ

图 19 燃油系统
Fig.19 Fuel system

Ⓒ CPCD40/45-XRW35 Ⓓ CPCD50-XRXW35

序号 Item	物料码 Part NO.	名称 Description	数量 Qty	备注或适用车型 Remarks Or Serial NO.
1	300010040009	螺栓 M10×25 Bolt M10×25	2	
2	300030010001	垫圈 10 Washer 10	4	
3	300030190001	垫圈 10 Washer 10	2	
4	300010040005	螺栓 M10×20 Bolt M10×20	2	
5	203400160025	支架 Bracket	1	
6	203400070033	回油胶管 Φ8×Φ16.5 Return oil hose	1	
7	209990000833	蜗杆传动式软管环箍 16 Clamp 16	6	
8	300010040148	螺栓 M6×16 Bolt M6×16	6	
9	300030140011	垫圈 6 Washer 6	6	
10	203400110231	燃油箱盖组件 Cover of fuel case assy	1	
10-1	203400110003	燃油滤芯 Fule filter	1	
11	203400030007	垫 Pad	1	
12	203400070123	输油胶管 Φ8×Φ16.5 Rubber hose	1	
13	203400070148	吸油胶管 Φ8×Φ16.5 Outlet oil hose	1	
14	310050080063	接头 Elbow	2	

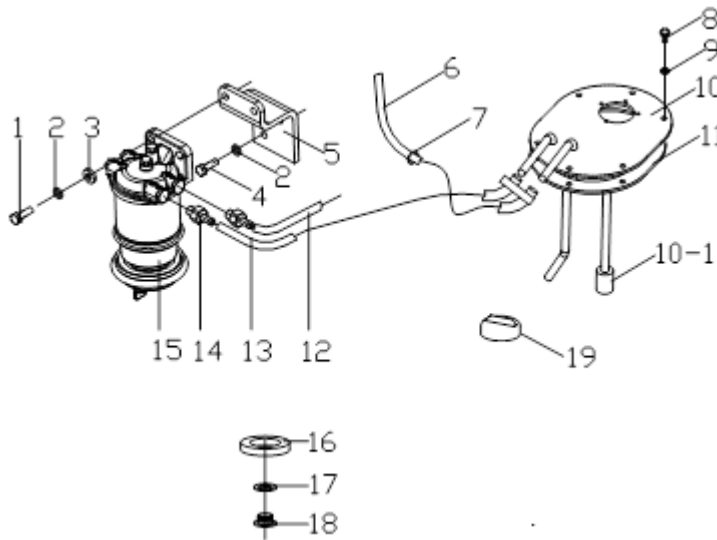
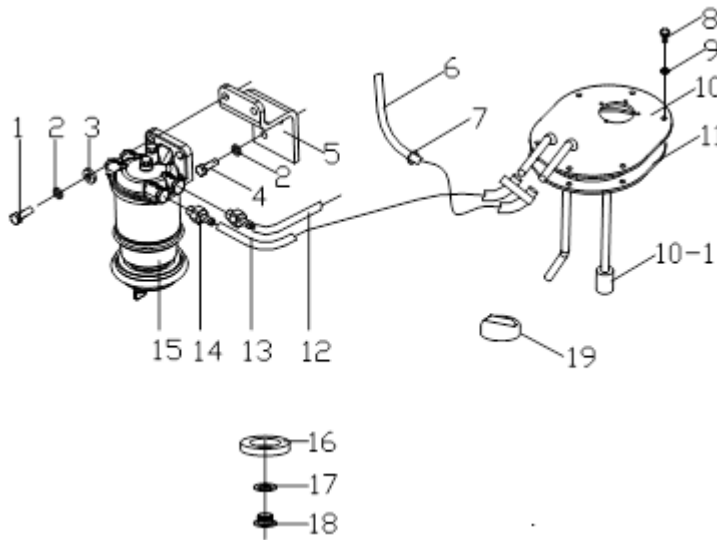


图 19 燃油系统
Fig.19 Fuel system

© CPCD40/45-XRW35 Ⓜ CPCD50-XRXW35



序号 Item	物料码 Part NO.	名称 Description	数量 Qty	备注或适用车型 Remarks Or Serial NO.
15	203400170018	油水分离器 Oil-water separator	1	
16	203400020001	磁铁 Ring magnetic iron	1	
17	300030140007	垫圈24 Washer 24	1	
18	203400040002	螺塞 Plug	1	
19	209990010747	燃油箱盖 Fuel tank cap	1	

图 20 燃油系统
Fig.20 Fuel system

Ⓔ CPCD40/45-XRW34 Ⓕ CPCD50-XRXW34

序号 Item	物料码 Part NO.	名称 Description	数量 Qty	备注或适用车型 Remarks Or Serial NO.
1	300010040009	螺栓 M10×25 Bolt M10×25	2	
2	300030010001	垫圈 10 Washer 10	2	
3	300030190001	垫圈 10 Washer 10	2	
4	300010040033	螺栓 M12×30 Bolt M12×30	2	
5	203400160168	油水分离器支架 Bracket	1	
6	203400070001	输油胶管 Φ8×Φ16.5 Return oil hose	1	
7	209990000833	蜗杆传动式软管环箍 16 Clamp 16	6	
8	300010040148	螺栓 M6×16 Bolt M6×16	6	
9	300030140011	垫圈 6 Washer 6	6	
10	203400110231	燃油箱盖组件 Cover of fuel case assy	1	
10-1	203400110003	燃油滤芯 Fule filter	1	
11	203400030007	垫 Pad	1	
12	203400070123	输油胶管 Φ8×Φ16.5 Rubber hose	1	
13	203400070002	输油胶管 Φ8×Φ16.5 Outlet oil hose	1	
14	310050080063	接头 Elbow	2	

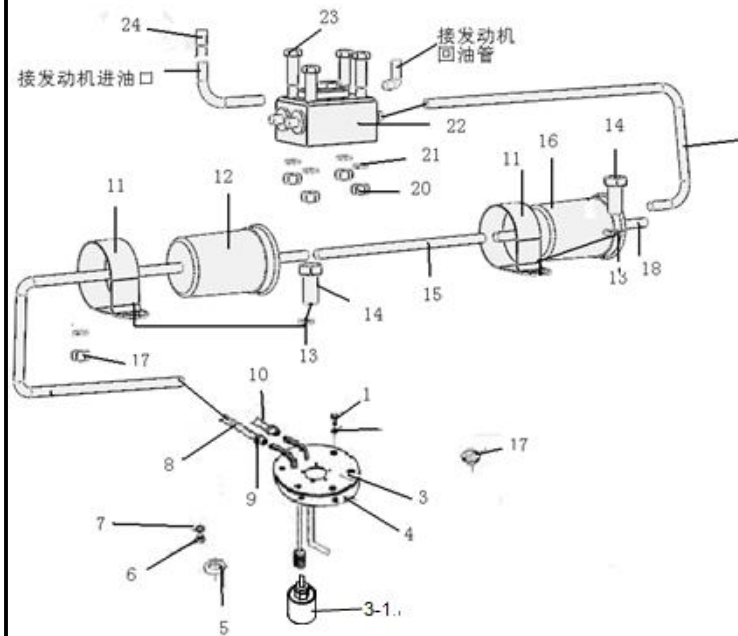
图 20 燃油系统
Fig.20 Fuel system

Ⓔ CPCD40/45-XRW34 Ⓕ CPCD50-XRXW34

	序号 Item	物料码 Part NO.	名称 Description	数量 Qty	备注或适用车型 Remarks Or Serial NO.
	15	203400170018	油水分离器 Oil-water separator	1	
	16	203400020001	磁铁 Ring magnetic iron	1	
	17	300030140007	垫圈24 Washer 24	1	
	18	203400040002	螺塞 Plug	1	
	19	209990010747	燃油箱盖 Fuel tank cap	1	

图 21 燃油系统
Fig.21 Fuel system

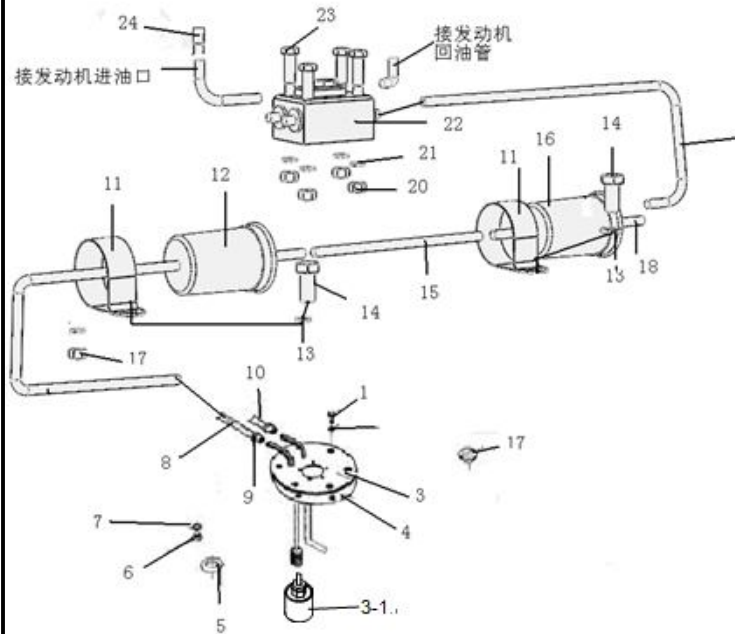
Ⓚ CPQYD40/45-XRW57 Ⓛ CPQYD50-XRXW57



序号 Item	物料码 Part NO.	名称 Description	数量 Qty	备注或适用车型 Remarks or Serial NO.
1	300010040148	螺栓M6×16 Bolt	6	
2	300030140011	垫圈 6 Washer	6	
3	203400110231	燃油箱盖组件 Cover of fuel case	1	
3-1	203400110003	燃油滤芯 Fule filter	1	
4	207900060005	垫 Washer	1	
5	203400020001	磁铁 Ring magnetic iron	1	
6	300030140007	垫圈24 Washer	1	
7	203400040002	螺塞 Plug	1	
8	203400070289	输油胶管Φ8×Φ16.5 Rubber hose	1	
9	209990000833	蜗杆传动式软管环箍 16 Clamp 16	10	
10	203400070290	输油胶管Φ6×Φ13.5 Rubber hose	1	
11	310040010033	抱箍 Clamp	2	
12	206100070126	油泵 fuel pump	1	
13	300030010002	垫圈12 Washer	2	
14	300010040031	螺栓M12×25 Bolt	2	

图 21 燃油系统
Fig.21 Fuel system

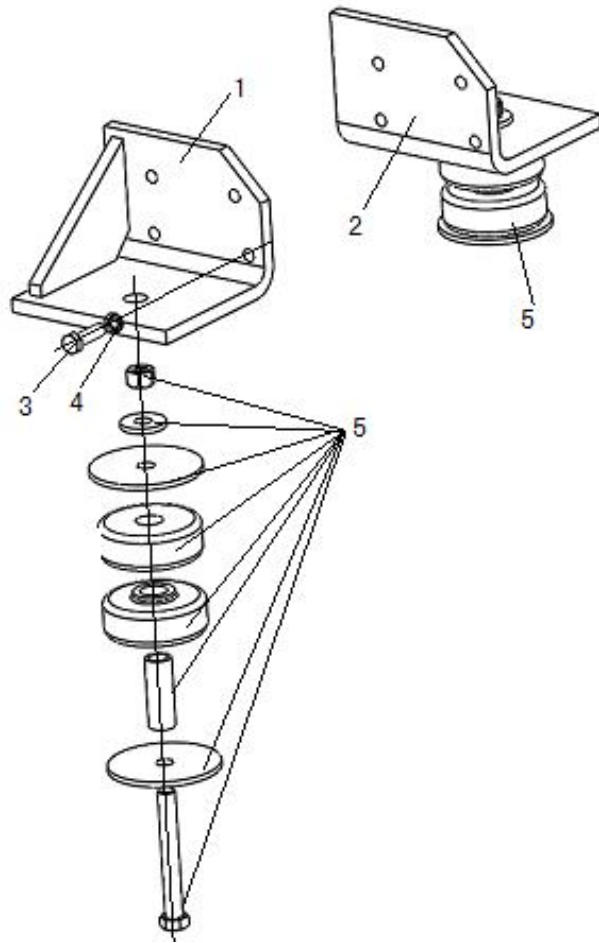
Ⓚ CPQYD40/45-XRW57 Ⓛ CPQYD50-XRXW57



序号 Item	物料码 Part NO.	名称 Description	数量 Qty	备注或适用车型 Remarks or Serial NO.
15	203400070291	输油胶管Φ8×Φ16.5 Rubber hose	1	
16	203400170025	汽油滤清器 Filter	1	
17	209990010747	燃油箱盖 Cover of fuel case	1	
18	203400010068	油管接头 oil connection	7	
19	203400070591	输油胶管Φ8×Φ16.5 Rubber hose	1	
20	300020010005	螺母M6 Nut M6	2	
21	300030010014	垫圈6 Washer	2	
22	203600010014	汽油电磁阀 solenoid valve	1	
23	300010040173	螺栓 M6X55 Bolt	2	
24	203400010069	油管接头 oil connection	1	

图 22 发动机安装
Fig.22 Engine mount

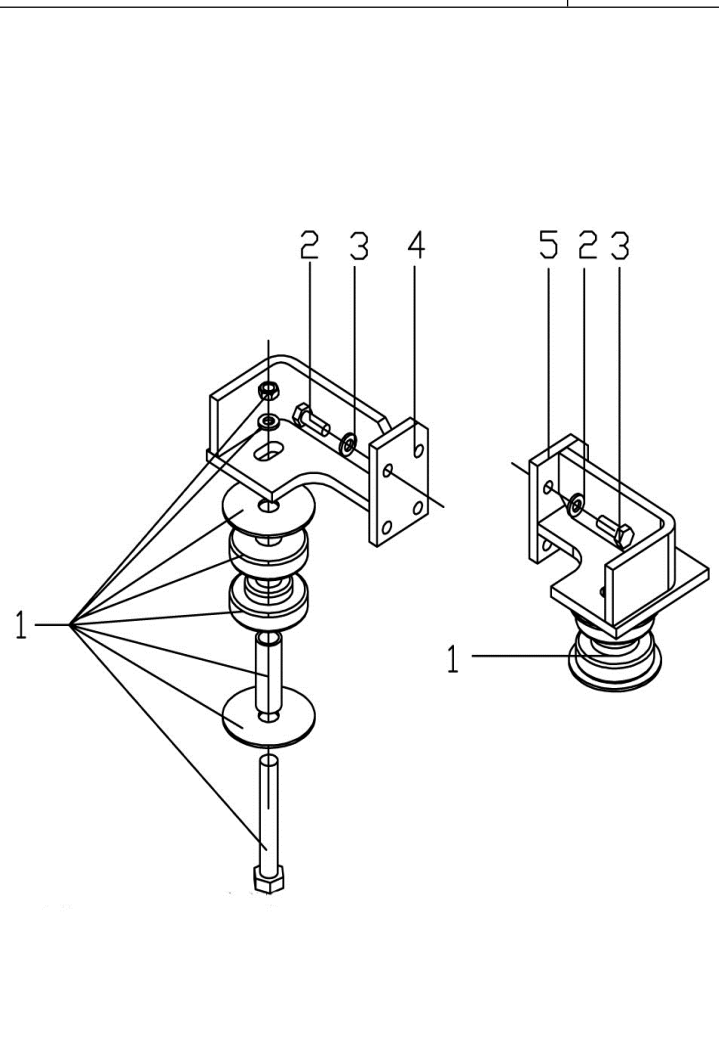
Ⓐ CPCD40/45-XRG76 Ⓑ CPCD50-XRXG76 Ⓒ CPCD40/45-XRG75 Ⓓ CPCD50-XRXG75



序号 Item	物料码 Part NO.	名称 Description	数量 Qty	备注或适用车型 Remarks Or Serial NO.
1	203500040950	发动机左支座 Engine Left bracket	1	Ⓒ Ⓓ
1	203500041025	发动机左支座 Engine Left bracket	1	Ⓐ Ⓑ
2	203500040932	发动机右支座 Engine right bracket	1	Ⓒ Ⓓ
2	203500041010	发动机右支座 Engine right bracket	1	Ⓐ Ⓑ
3	300010040013	螺栓M10×35 Bolt	8	Ⓒ Ⓓ
3	300010040035	螺栓M12×35 Bolt	8	Ⓐ Ⓑ
4	300030010001	垫圈 10 Washer	8	Ⓒ Ⓓ
4	300030010002	垫圈 12 Washer	8	Ⓐ Ⓑ
5	203500020003	缓冲垫总成 Shock pad	2	

图 23 发动机安装
Fig.23 Engine mount

Ⓒ CPCD40/45-XRW35 Ⓓ CPCD50-XRXW35 Ⓔ CPCD40/45-XRW34 Ⓕ CPCD50-XRXW34



序号 Item	物料码 Part NO.	名称 Description	数量 Qty	备注或适用车型 Remarks Or Serial NO.
1	203500020003	缓冲垫总成 Shock pad	2	
2	300010040035	螺栓M12×35 Bolt	8	
3	300030010002	垫圈 12 Washer	8	
4	203500040162	发动机左支座 Engine Left bracket	1	
5	203500040085	发动机右支座 Engine right bracket	1	

图 24 发动机安装
Fig.24 Engine mount

Ⓚ CPQYD40/45-XRW57 Ⓛ CPQYD50-XRXW57

序号 Item	物料码 Part NO.	名称 Description	数量 Qty	备注或适用车型 Remarks or Serial NO.
1	300020140009	螺母 M14 Nut M14	2	
2	203500030010	垫圈 Washer	2	
3	203500040143	发动机左支座 Engine Left bracket	1	
4	300010040013	螺栓 M10×35 Bolt	6	
5	203500030011	垫圈 Washer	4	
6	203500030015	缓冲垫 Shock pad	4	
7	203500030025	套管 Pipe	2	
8	300010030047	螺栓 M14×110 Bolt	2	
9	203500040068	发动机右支座 Engine right bracket	1	
10	300030010001	垫圈 10 Washer	6	

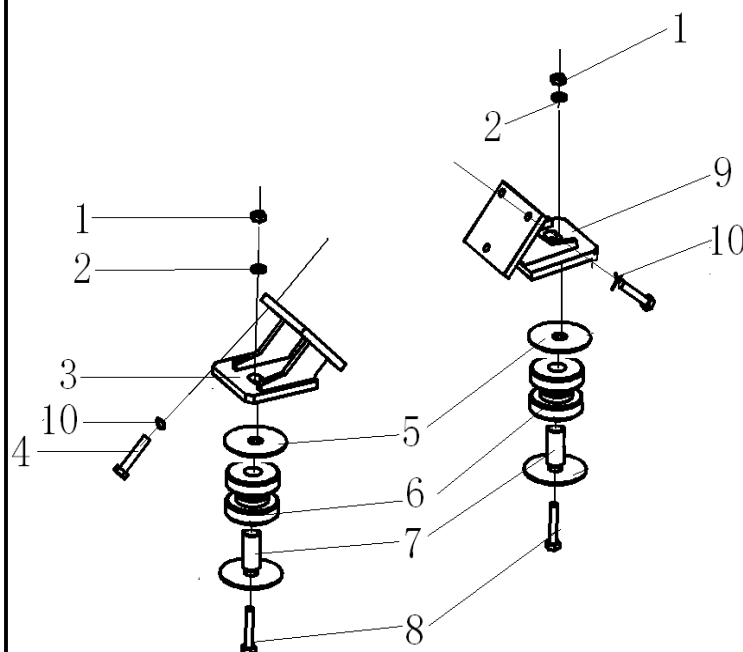


图 25 齿轮泵驱动装置
Fig.25 Device for gear pump

© CPCD40/45-XRG75 ④ CPCD50-XRXG75 ① CPQYD40/45-XRW57 ② CPQYD50-XRXW57
① CPCD40/45-XRW76 ② CPCD50-XRXW76

序号 Item	物料码 Part NO.	名称 Description	数量 Qty	备注或适用车型 Remarks or Serial NO.
1	203010020119	传动轴总成 Transmission shaft assy	1	© ④
1	203010020021	传动轴总成 Transmission shaft assy	1	① ②
1	203010020128	传动轴总成 Transmission shaft assy	1	③ ④
2	300010040037	螺栓M12×40 Bolt M12×40	2	
3	300030010002	垫圈 12 Washer 12	2	
4	203600030013	油泵支架 Support	1	© ④
4	203600030010	油泵支架 Support	1	① ②
4	203600030011	油泵支架 Support	1	③ ④
5	300010040182	螺栓 M8×40 Bolt M8×40	4	© ④
5	203010020031	螺栓 Bolt	3	① ②
5	300010040179	螺栓 M8×30 Bolt M8×30	4	③ ④
6	300030010015	垫圈 8 Washer 8	4	© ④
6	300030010001	垫圈 10 Washer 10	3	① ②
6	300030010002	垫圈 12 Washer 12	4	③ ④

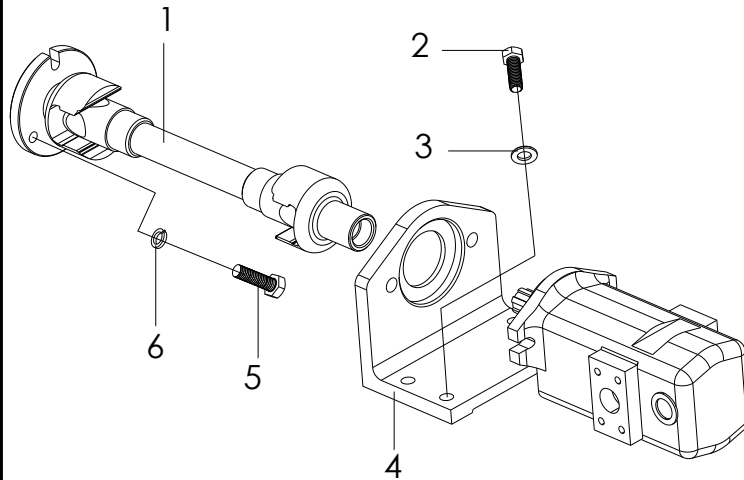


图 26 LPG 管路系统
Fig.26 LPG pipe system

Ⓚ CPQYD40/45-XRW57 Ⓛ CPQYD50-XRXW57

序号 Item	物料码 Part NO.	名称 Description	数量 Qty	备注或适用车型 Remarks or Serial NO.
1	300010040173	螺栓 M8×20 Bolt M8×20	4	
2	300030010015	垫圈8 Washer 8	8	
3	203600040095	90° 管接头 90° joint	1	
4	203600030149	三通支架 Tee bracket	1	
5	203010010319	三通部件 Bulkhead fitting	1	
6	203600220001	LPG 过滤器 LPG Filter	1	
7	203600040019	转换接头 Fitting	1	
8	310040010002	邦迪管夹 Pipe clamp	2	
9	203600040264	LPG 管 LPG hose	1	
10	203600030197	固定支架 Bracket	1	
11	300010040169	螺栓 M8×16 Bolt M8×16	2	
12	300020010016	螺母 M8 Nut M8	1	
13	203600040237	直通管接头 Nipple	1	
14	203600040140	LPG 进气胶管 LPG hose assy	1	
15	209990000508	双钢丝式环箍 24 Clamp 24	2	

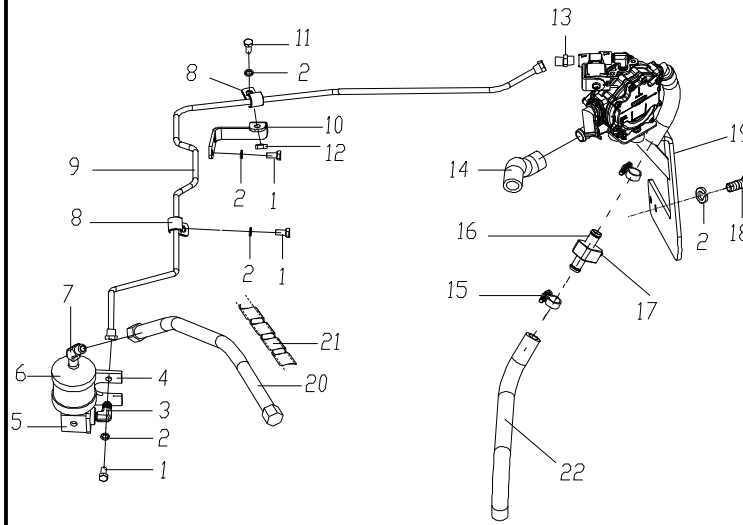
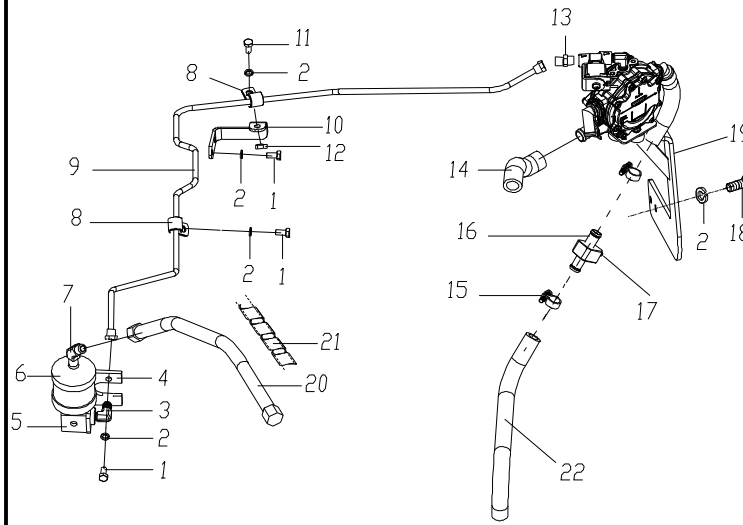


图 26 LPG 管路系统
Fig.26 LPG pipe system

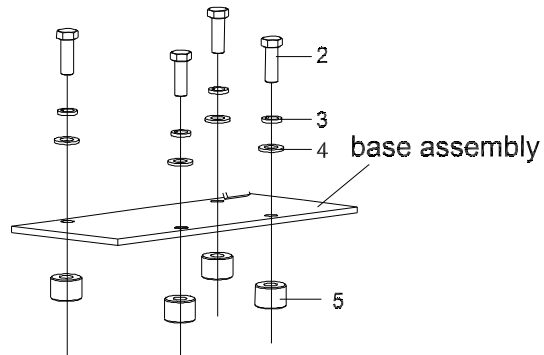
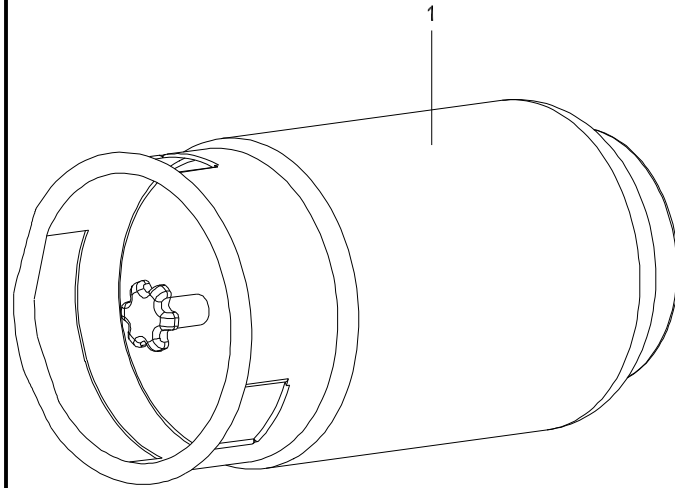
Ⓚ CPQYD40/45-XRW57 Ⓛ CPQYD50-XRXW57



序号 Item	物料码 Part NO.	名称 Description	数量 Qty	备注或适用车型 Remarks or Serial NO.
16	203600080048	三通水管接头 Tee pipe fitting	1	
17	310100030003	放气螺钉 Air bleed screw	1	
18	300010040177	螺栓 M8×25 Bolt M8×25	3	
19	203600030198	减压器支架 Bracket of regulator	1	
20	203600040206	连接管件 Hose	1	
21	203600050011	螺旋护套 Screw sheath	1	
22	203600040174	减压器进水管 I Water pipe of regulator	1	

图 27 储气系统
Fig.27 LPG Storing system

1.5t~X5.5t 液化气叉车
1.5t~X5.5t LPG forklift truck



序号 Item	物料码 Part No.	名称 Description	数量 Qty	备注或适用车型 Remarks or Serial No.
1	203600110002	钢瓶总成 Cylinder assy	1	1.5t~1.8t
1	203600110001	钢瓶总成 Cylinder assy	1	2.0t~X5.5t
2	300010040031	螺栓M12×25 Bolt M12×25	4	
3	300030010002	垫圈 12 Washer 12	4	
4	300030040003	垫圈 12 Washer 12	4	
5	203600160073	垫块 Pad	4	

图 28 钢瓶支架
Fig.28 LPG cylinder bracket

1.5t~X5.5t 液化气叉车
1.5t~X5.5t LPG forklift truck

序号 Item	物料码 Part No.	名称 Description	数量 Qty	备注或适用车型 Remarks or Serial No.
A1	XF251-371-000-kit	钢瓶支架总成包 Cylinder bracket assy Kit	1	包含/INC:1-6
1	203600190027	钢瓶支架总成 Cylinder bracket assy	1	扎带式Fabric strap
1-1	300010040033	螺栓M12×30 Bolt M12×30	2	≥2013-04-20
1-2	300030010002	垫圈 12 Washer 12	2	≥2013-04-20
1-3	300030040003	垫圈 12 Washer 12	2	≥2013-04-20
1-4	300020010001	螺母 M12 Nut M12	2	≥2013-04-20
1-5	203600200245	支架固定板bracket frame plate	1	1.0t~X5t, ≥2013-04-20
1-6	203600190010	钢瓶支架 Cylinder bracket	1	
2	203600150005	前箍带总成 Front band assy	2	序号 2、3 配对购买 Item 2,3 Provide together
3	203600150001	后箍带总成 Rear band assy	2	
4	203600200013	插片式垫带 I Chip chap pad I	2	
5	300030010002	垫圈 12 Washer 12	1	
6	300010040031	螺栓M12×25 Bolt M12×25	1	

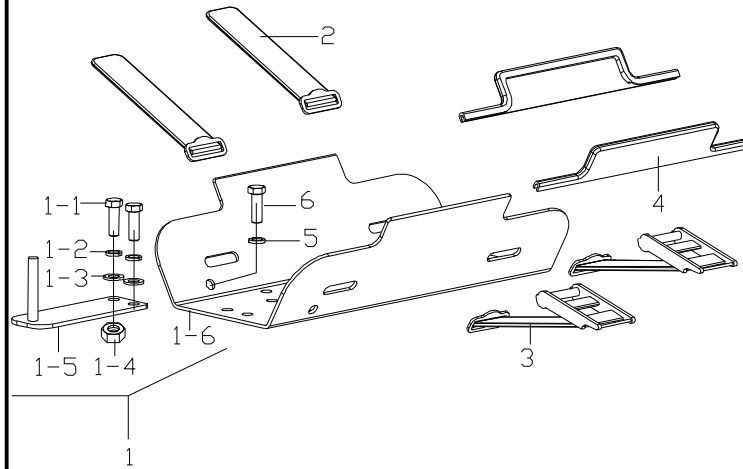


图 29 动力系统
Fig.29 Drive system

① CPCD40/45-XRW76 ② CPCD50-XRXW76

序号 Item	物料码 Part No.	名称 Description	数量 Qty	备注或适用车型 Remarks or Serial No.
1	300050030014	销 12×30 Pin 12×30	2	
2	300010050006	螺栓M10×1.25×45 Bolt M10×1.25×45	14	
3	300030010001	垫圈10 Washer 10	14	
4	300030040002	垫圈10 Washer 10	14	
5	209990024497	飞轮壳 Flywheel shell	1	
6	203500000338	发动机安装 Engine mount	1	
7	203200000720	排气系统 Exhaust system	1	
8	203300000724	冷却系统 Cooling system	1	
9	203010020127	齿轮泵驱动装置 Device for gear pump	1	
10	203100000548	进气系统 Air inlet system	1	
11	203400000322	燃油系统 Engine fuel system	1	
12	203600030011	油泵支架 Pump bracket	1	
13	300010040179	螺栓 M8×30 Bolt M8×30	4	
14	300030010015	垫圈 8 Washer 8	4	
15	203010020128	传动轴总成 Shaft	1	

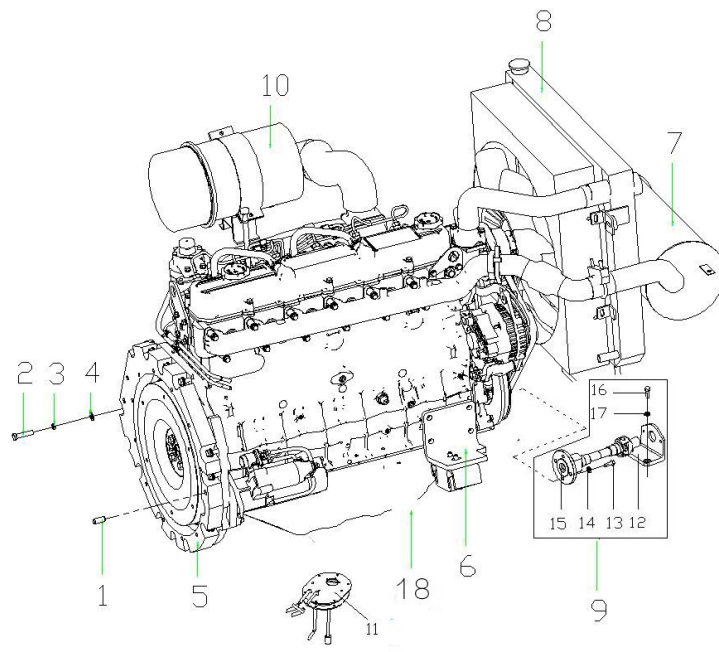
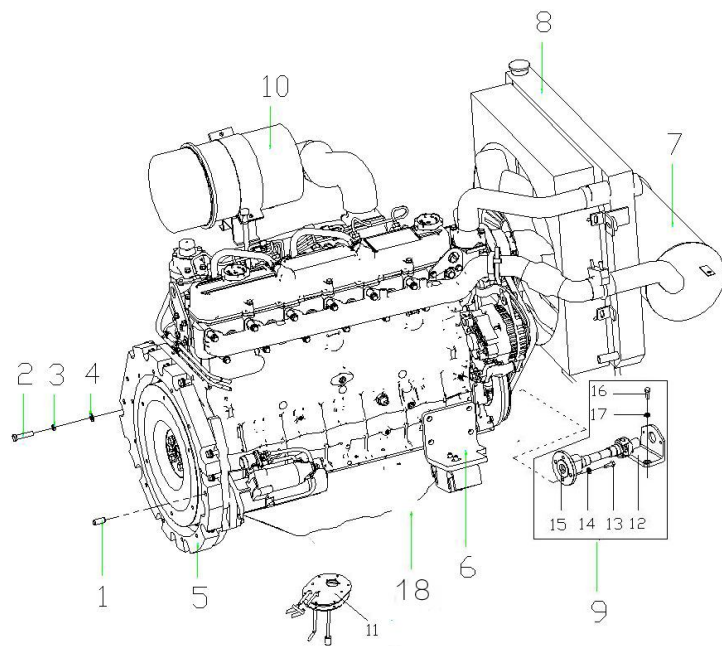


图 29 动力系统
Fig.29 Drive system

① CPCD40/45-XRW76 ② CPCD50-XRXW76



序号 Item	物料码 Part No.	名称 Description	数量 Qty	备注或适用车型 Remarks or Serial No.
16	300010040037	螺栓M12×40 Bolt M12×40	2	
17	300030010002	垫圈12 Washer 12	2	
18	203010000273	柴油机 Diesel engine	1	

图 30 进气系统
Fig.30 Air intake system

① CPCD40/45-XRW76 ② CPCD50-XRXW76

序号 Item	物料码 Part No.	名称 Description	数量 Qty	备注或适用车型 Remarks or Serial No.
1	300010040173	螺栓 M8×20 Bolt M8×20	2	
2	300030010015	垫圈8 Washer 8	2	
3	209990000606	蜗杆传动式软管环箍89 Clamp 89	4	
4	203100050061	空气滤清器总成 Air cleaner	1	
4-1	NO PART NO.	滤清器盖 Cover	1	
4-2	810300000004	外滤芯 Outer filter paper	1	
4-3	810300000005	内滤芯 Inner filter paper	1	
4-4	810300000006	风叶 Blade	1	
5	203100011047	发动机进气管 Air intake pipe	1	
6	203100030004	进气消声器 intake muffler	1	
7	209990000609	蜗杆传动式软管环箍95 Clamp 95	1	
8	203100010847	进气管 Admitting pipe	1	

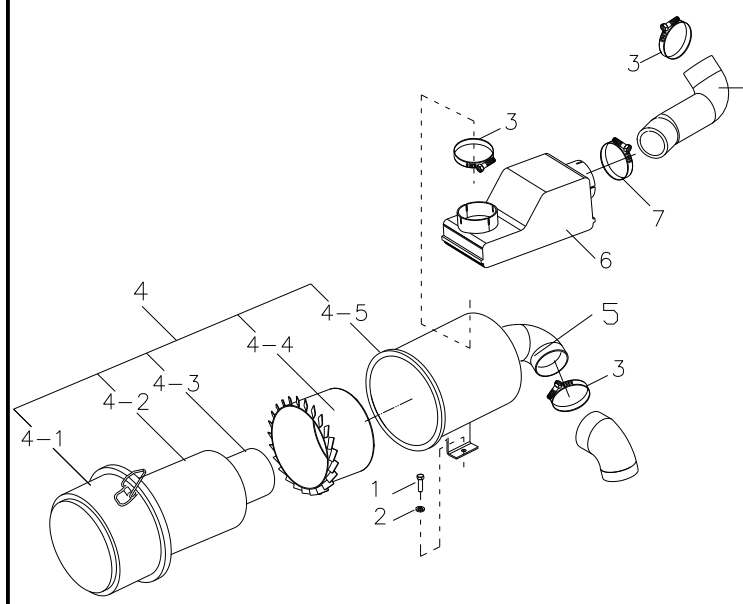
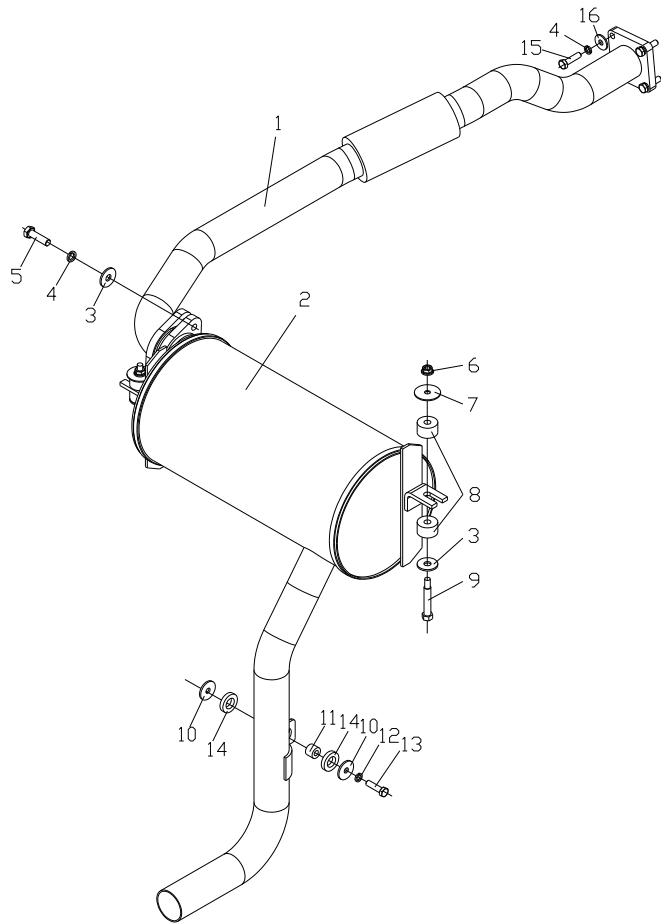


图 31 排气系统
Fig.31 Exhaust system

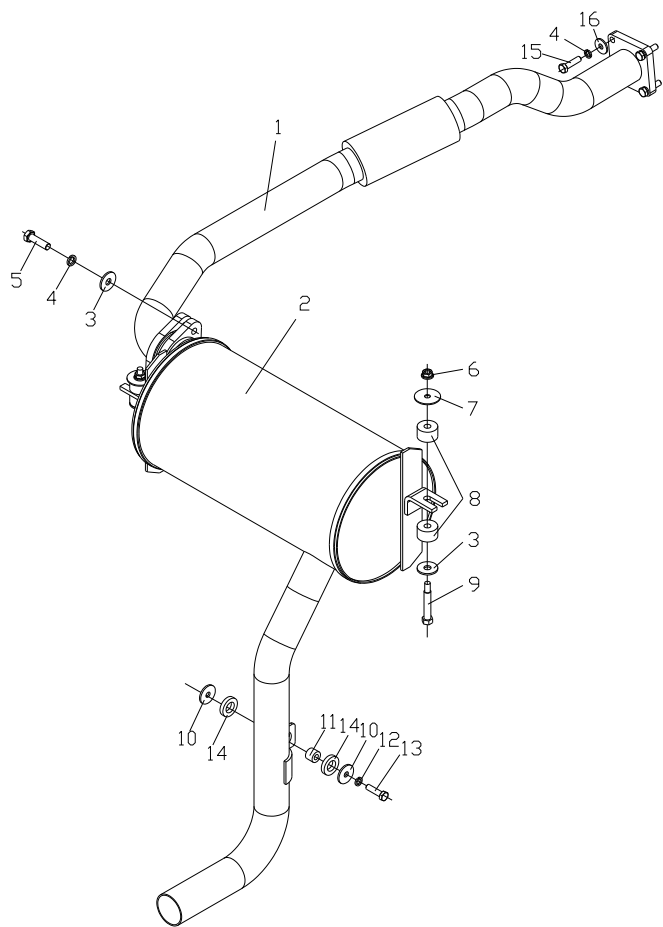
① CPCD40/45-XRW76 ② CPCD50-XRXW76



序号 Item	物料码 Part No.	名称 Description	数量 Qty	备注或适用车型 Remarks or Serial No.
1	203200090818	排气管总成 Exhaust pipe assy	1	
2	203200180622	消声器总成 Muffler assy	1	
3	300030190001	垫圈10 Washer10	4	
4	300030010001	垫圈10 Washer10	4	
5	300010040015	螺栓M10×35 Bolt M10×35	2	
6	300020280002	螺母M8 Nut M8	2	
7	203200100079	垫圈 Washer	2	
8	203200070010	缓冲垫 Shock pad	4	
9	203200100083	螺栓 Bolt	2	
10	203200220029	垫片 Gasket	2	
11	203200080611	套管 pipe	1	
12	300030010015	垫圈8 Washer8	1	
13	300010040178	螺栓 M8×30 Bolt M8×30	1	
14	203200070008	橡胶垫 Rubber gasket	2	
15	300020020003	螺母M10×1.25 Nut M10×1.25	2	

图 31 排气系统
Fig.31 Exhaust system

① CPCD40/45-XRW76 ② CPCD50-XRXW76



序号 Item	物料码 Part No.	名称 Description	数量 Qty	备注或适用车型 Remarks or Serial No.
16	208100060066	密封垫 Gland	1	

图 32 冷却系统
Fig.32 Cooling system

① CPCD40/45-XRW76 ② CPCD50-XRXW76

序号 Item	物料码 Part No.	名称 Description	数量 Qty	备注或适用车型 Remarks or Serial No.
1	203300091393	散热器进水管 Water inlet pipe	1	
2	203300061371	护风圈总成 Fan shroud assy	1	
3	209990000523	双钢丝式环箍52 Clamp 52	2	
4	203300140347	散热器总成 Radiator assy	1	
5	300010040173	螺栓 M8×20 Bolt M8×20	4	
6	300030010015	垫圈8 Nut 8	8	
7	300030040014	垫圈 8 Washer 8	6	
8	203300120001	膨胀水箱 Expansion water box	1	
9	209990000499	双钢丝式环箍12 Clamp 12	2	
10	203300220095	膨胀水箱支架 Bracket	1	
11	300020280002	螺母M8 Nut M8	2	
12	300010040185	螺栓 M8×50 Bolt M8×50	2	
13	203300080001	环状减震器 Cushion	2	
14	300030190008	垫圈 8 Washer 8	4	
15	209990000524	双钢丝式环箍55 Clamp 55	1	

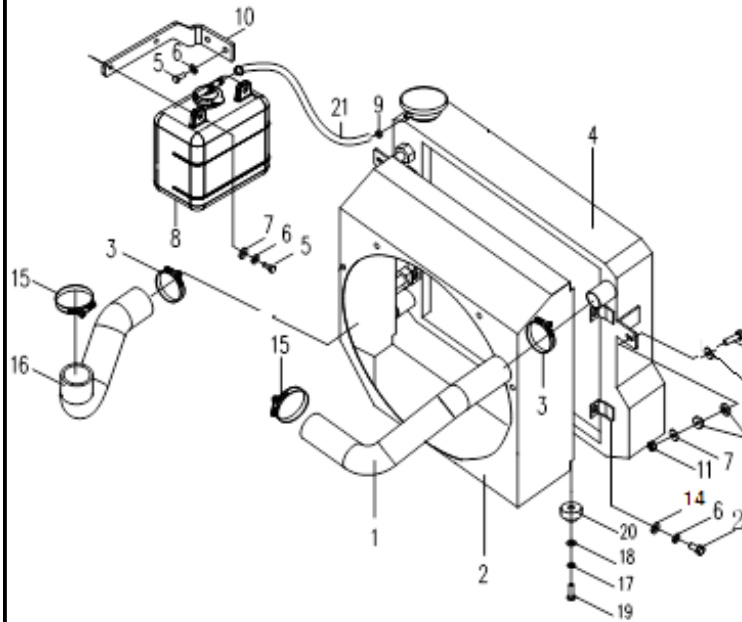


图 32 冷却系统
Fig.32 Cooling system

① CPCD40/45-XRW76 ② CPCD50-XRXW76

序号 Item	物料码 Part No.	名称 Description	数量 Qty	备注或适用车型 Remarks or Serial No.
16	203300091376	散热器出水管 Water outlet pipe	1	
17	300030010014	垫圈 6 Washer 6	2	
18	300030040013	垫圈 6 Washer 6	2	
19	300040170027	螺钉 M6×12 Screw M6×12	2	
20	203300080003	环状减震垫 Shock pad	2	
21	203300091051	副水箱接管 Pipe	1	
22	300010040169	螺栓 M8×16 Bolt M8×16	4	

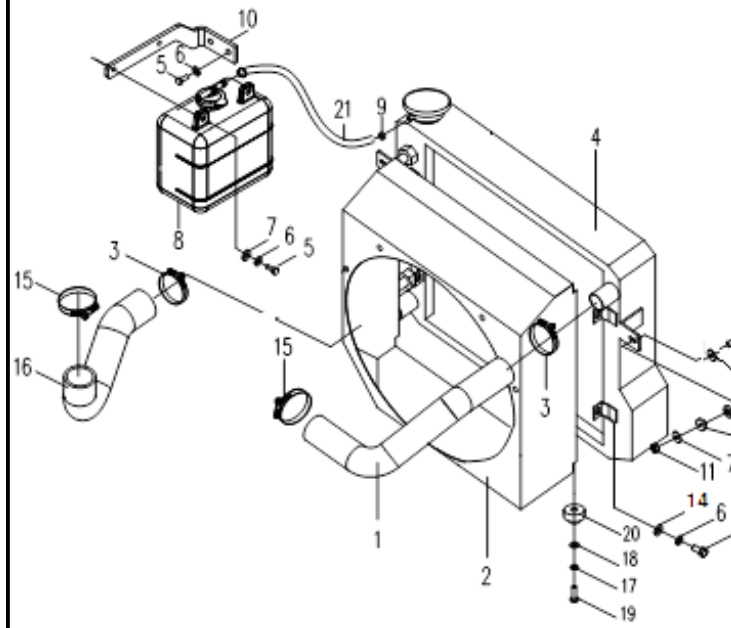


图 33 燃油系统
Fig.33 Fuel system

①CPCD40/45-XRW76 ②CPCD50-XRXW76

	序号 Item	物料码 Part No.	名称 Description	数量 Qty	备注或适用车型 Remarks or Serial No.
	1	203400110231	燃油箱盖组件 Cover of fuel case assy	1	
	2	203400030007	垫 Pad	1	
	3	300030140011	垫圈 6 Washer 6	2	
	4	300010040148	螺栓 M6×16 Bolt M6×16	6	
	5	300010040169	螺栓 M8×16 Bolt M8×16	6	
	6	300030140012	垫圈 8 Washer 8	2	
	7	209990010747	燃油箱盖 Fuel tank cap	1	
	8	203400020001	磁铁 Ring magnetic iron	1	
	9	300030140007	垫圈24 Washer 24	1	
	10	203400040002	螺塞 Plug	1	
	11	203400070688	输油胶管Φ8×Φ16.5 Return oil hose	1	
	12	203400070689	输油胶管Φ8×Φ16.5 Return oil hose	1	
	13	209990000833	蜗杆传动式软管环箍 16 Clamp 16	8	
	14	310010010057	螺栓 Bolt	6	
	15	300030010014	垫圈6 Washer 6	6	

图 33 燃油系统
Fig.33 Fuel system

①CPCD40/45-XRW76 ②CPCD50-XRXW76

	序号 Item	物料码 Part No.	名称 Description	数量 Qty	备注或适用车型 Remarks or Serial No.
	16	203400170038	燃油滤清器总成 Fuel filter assembly	1	
	17	203400160191	滤清器支架 Filter Bracket	1	
	18	310050080075	接头 Joint	2	
	19	300130010134	O型密封圈24×2.4 O Ring 24×2.4	2	

图 34 发动机安装
Fig.34 Engine mount

① CPCD40/45-XRW76 ② CPCD50-XRXW76

序号 Item	物料码 Part No.	名称 Description	数量 Qty	备注或适用车型 Remarks or Serial No.
1	203500041087	发动机左支架 Engine Left bracket	1	
2	203500041088	发动机右支架 Engine right bracket	1	
3	300010040035	螺栓M12×35 Bolt	8	
4	300030010002	垫圈 12 Washer 12	8	
5	203500020003	缓冲垫总成 Shock pad	2	

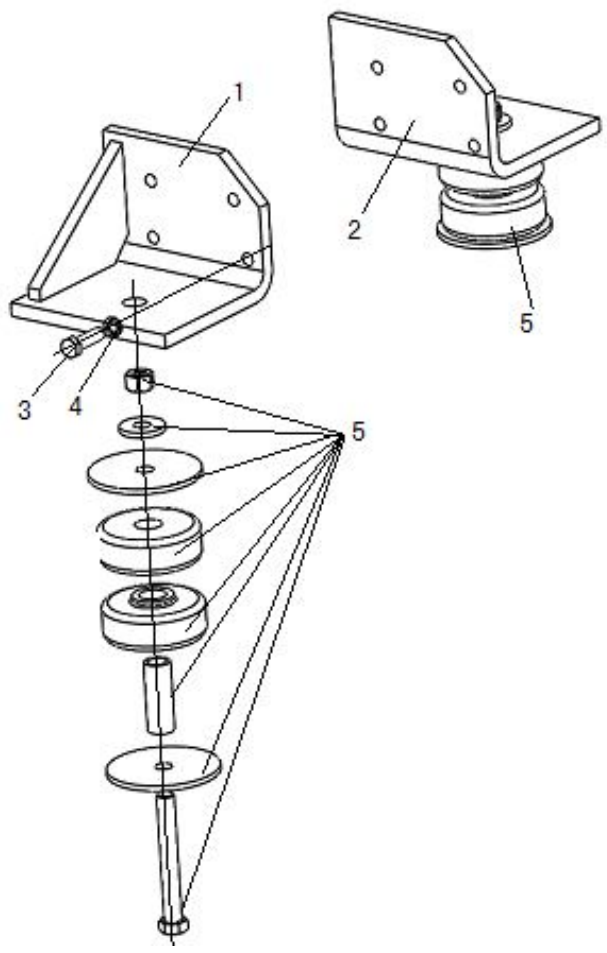


图 35 动力系统
Fig.35 Drive system

Ⓜ CPCD40/45-XRG73 Ⓜ CPC40/45-XRG73 Ⓝ CPCD50-XRXG73 Ⓝ CPC50-XRXG73

序号 Item	物料码 Part NO.	名称 Description	数量 Qty	备注或适用车型 Remarks or Serial NO.
1	203010000280	柴油机 4D32RG30-002 Diesel engine	1	Ⓜ1 Ⓝ1
1	203010000252	柴油机 4D32RG30-001 Diesel engine	1	Ⓜ Ⓝ
2	203100000520	进气系统 Air inlet system	1	Ⓜ1 Ⓝ1
2	203100000459	进气系统 Air inlet system	1	Ⓜ Ⓝ
3	203400000277	燃油系统 Engine fuel system	1	
4	203200000687	排气系统 Exhaust system	1	Ⓜ1 Ⓝ1
4	203200000615	排气系统 Exhaust system	1	Ⓜ Ⓝ
5	203300000698	冷却系统 Cooling system	1	Ⓜ1 Ⓝ1
5	203300000641	冷却系统 Cooling system	1	Ⓜ Ⓝ
6	300030040013	垫圈6 Washer 6	4	
7	300030010014	垫圈6 Washer 6	4	
8	300010040155	螺栓 M6×30 Bolt M6×30	4	
9	203500000161	发动机安装 Engine mount	1	Ⓜ1 Ⓝ1
9	203500000241	发动机安装 Engine mount	1	Ⓜ Ⓝ
10	203010010377	ECU控制器 ECU controller	1	

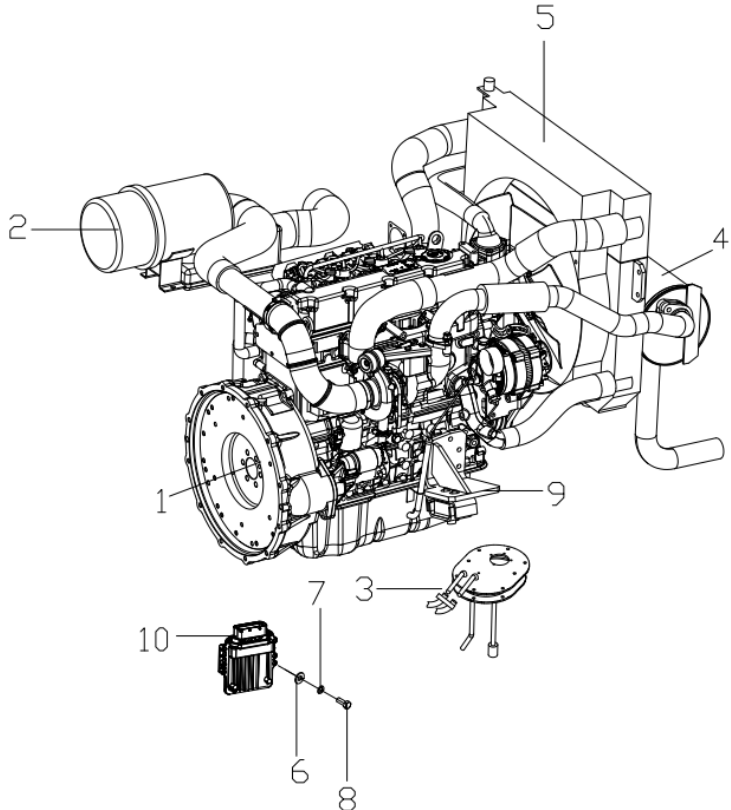


图 36 进气系统
Fig.36 Air intake system

Ⓜ CPCD40/45-XRG73 Ⓜ1 CPC40/45-XRG73 Ⓝ CPCD50-XRXG73 Ⓝ1 CPC50-XRXG73

序号 Item	物料码 Part No.	名称 Description	数量 Qty	备注或适用车型 Remarks or Serial No.
1	203100050061	空气滤清器总成 Air cleaner	1	
1-1	NO PART NO.	滤清器盖 Cover	1	
1-2	810300000004	外滤芯 Outer filter paper	1	
1-3	810300000005	内滤芯 Inner filter paper	1	
1-4	810300000006	风叶 Blade	1	
1-5	NO PART NO.	滤清器壳 Shell	1	
2	300010040173	螺栓 M8×20 Bolt M8×20	2	
3	300030010015	垫圈8 Washer 8	2	
4	209990000607	蜗杆传动式软管环箍89 Clamp 89	4	Ⓜ1 Ⓝ1
4	209990000606	蜗杆传动式软管环箍89 Clamp 89	4	Ⓜ Ⓝ
5	203100010987	发动机进气管 Air intake pipe	1	Ⓜ1 Ⓝ1
5	203100010833	发动机进气管 Air intake pipe	1	Ⓜ Ⓝ
6	203100030004	进气消声器 intake muffler	1	
7	203100010847	进气管 Admitting pipe	1	
8	209990000609	蜗杆传动式软管环箍95 Clamp 95	1	

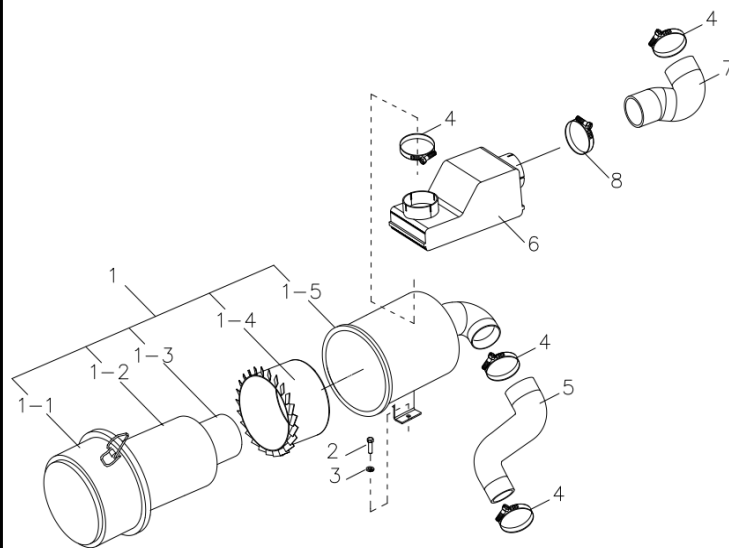
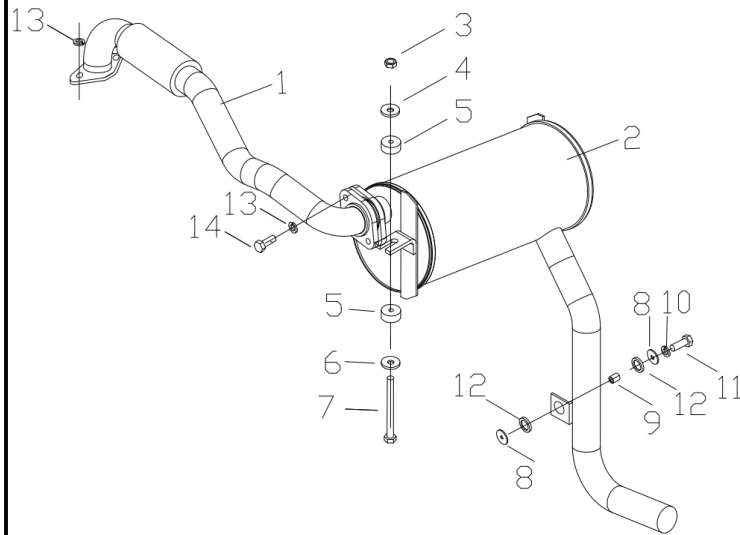


图 37 排气系统
Fig. 37 Exhaust system

Ⓜ CPCD40/45-XRG73 Ⓜ CPC40/45-XRG73 Ⓝ CPCD50-XRXG73 Ⓝ CPC50-XRXG73



序号 Item	物料码 Part NO.	名称 Description	数量 Qty	备注或适用车型 Remarks or Serial NO.
1	203200090782	排气管 Exhaust pipe	1	Ⓜ Ⓝ
1	203200090676	排气管 Exhaust pipe	1	Ⓜ Ⓝ
2	203200180622	消声器总成 Muffler assy	1	
3	300020280002	螺母M8 Nut M8	1	
4	203200100079	垫圈 Washer	2	
5	203200070010	缓冲垫 Shock pad	4	
6	300030190001	垫圈10 Washer 10	4	
7	203200100083	螺栓 Bolt	2	
8	203200220029	垫片 Washer	2	
9	203200080611	套管 pipe	1	
10	300030010015	垫圈8 Washer 8	1	
11	300010040178	螺栓 M8×30 Bolt M8×30	1	
12	203200070008	橡胶垫 Pad	4	
13	300030010001	垫圈10 Washer 10	4	
14	300010040015	螺栓 M10×25 Bolt M10×25	2	

图 38 冷却系统
Fig.38 Cooling system

Ⓜ CPC40/45-XRG73

Ⓝ CPC50-XRXG73

序号 Item	物料码 Part No.	名称 Description	数量 Qty	备注或适用车型 Remarks or Serial No.
1	310060010040	T型抱箍 74 Anchor ear74	4	
2	203300061311	护风圈总成 Fan shroud assy	1	
3	300010040169	螺栓 M8×16 Bolt M8×16	4	
4	300030010015	垫圈8 Washer 8	8	
5	300030040014	垫圈8 Washer 8	4	
6	203300140362	散热器总成 Radiator assy	1	
7	300010040173	螺栓 M8×20 Bolt M8×20	4	
8	300030190008	垫圈8 Washer 8	2	
9	203300120001	膨胀水箱 Expansion water box	1	
10	209990000499	双钢丝式环箍12 Clamp 12	1	
11	203300091051	副水箱接管 Pipe	1	
12	203300220095	膨胀水箱支架 Bracket	1	
13	300020010006	螺母M10 Nut M10	4	
14	300010030017	螺栓 M10×65 Bolt M10×65	4	
15	300030040002	垫圈10 Washer 10	4	

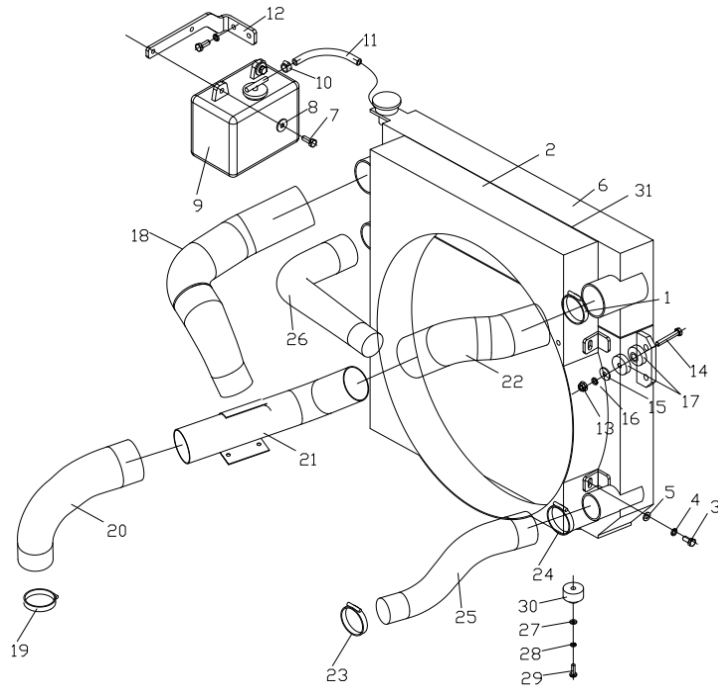


图 38 冷却系统
Fig.38 Cooling system

Ⓜ CPC40/45-XRG73

Ⓝ CPC50-XRXG73

序号 Item	物料码 Part No.	名称 Description	数量 Qty	备注或适用车型 Remarks or Serial No.
16	300030010001	垫圈10 Washer 10	4	
17	203300070004	缓冲垫 Shock pad	8	
18	203300091323	中冷器出气管 Escape pipe	1	
19	310060010019	T型抱箍 64 Anchor ear64	2	
20	203300170135	过渡管 pipe	1	
21	203300170136	中冷器进气管 Air intake takeover	1	
22	203300091322	中冷器进气管 Air intake takeover	1	
23	209990000521	双钢丝式环箍48 Clamp 48	2	
24	209990000527	双钢丝式环箍60 Clamp 60	2	
25	203300091325	散热器出水管 Water outlet pipe	1	
26	203300091324	散热器进水管 Water inlet pipe	1	
27	300030040013	垫圈6 Washer 6	2	
28	300030010014	垫圈6 Washer 6	2	
29	300040170027	螺钉M6×12 Screw M6×12	2	
30	203300080003	环状减震器 Cushion	2	

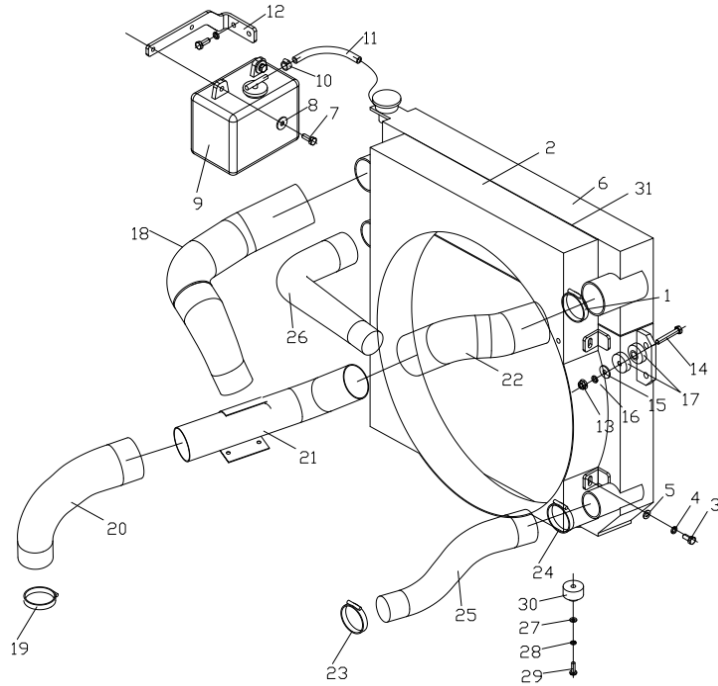
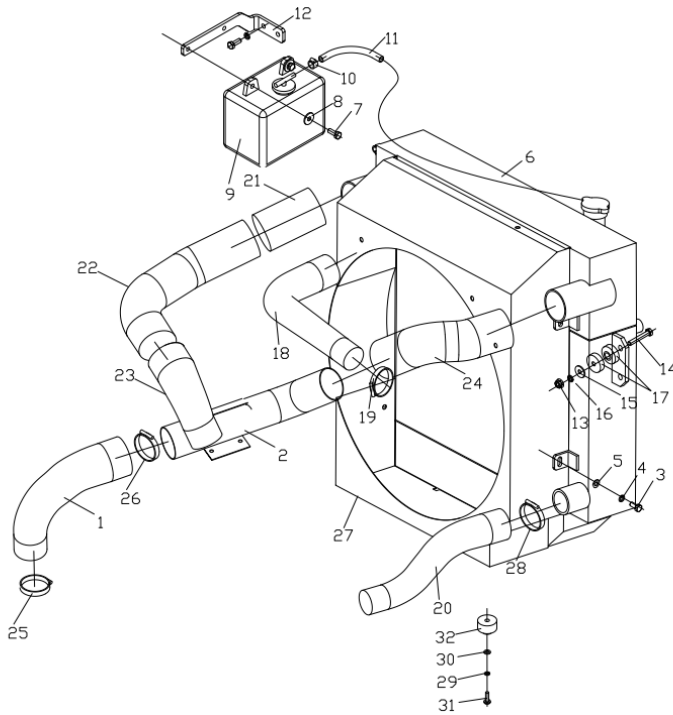


图 39 冷却系统
Fig.39 Cooling system

Ⓜ CPCD40/45-XRG73

Ⓝ CPCD50-XRXG73

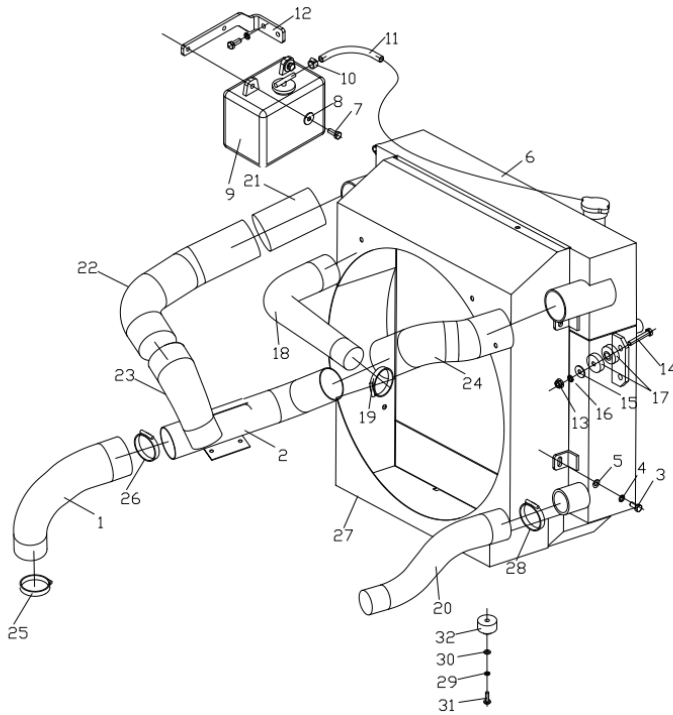


序号 Item	物料码 Part No.	名称 Description	数量 Qty	备注或适用车型 Remarks or Serial No.
1	203300170135	过渡管 pipe	1	
2	203300170136	中冷器进气钢管 Air intake takeover	1	
3	300010040169	螺栓 M8×16 Bolt M8×16	4	
4	300030010015	垫圈8 Washer 8	8	
5	300030040014	垫圈8 Washer 8	4	
6	203300140317	散热器总成 Radiator assy	1	
7	300010040173	螺栓 M8×20 Bolt M8×20	4	
8	300030190008	垫圈8 Washer 8	6	
9	203300120001	膨胀水箱 Expansion water box	1	
10	209990000499	双钢丝式环箍12 Clamp 12	1	
11	203300091051	副水箱接管 Pipe	1	
12	203300220095	膨胀水箱支架 Bracket	1	
13	300020010006	螺母M10 Nut M10	4	
14	300010030019	螺栓 M10×75 Bolt M10×75	4	
15	300030040002	垫圈10 Washer 10	4	

图 39 冷却系统
Fig.39 Cooling system

Ⓜ CPCD40/45-XRG73

Ⓝ CPCD50-XRXG73



序号 Item	物料码 Part No.	名称 Description	数量 Qty	备注或适用车型 Remarks or Serial No.
16	300030010001	垫圈10 Washer 10	4	
17	203300070004	缓冲垫 Shock pad	8	
18	203300091097	散热器进水管 Water inlet pipe	1	
19	209990000523	双钢丝式环箍52 Clamp 52	2	
20	203300091069	散热器出水管 Water outlet pipe	1	
21	203300091111	中冷器出气管 Escape pipe	1	
22	203300170203	中冷器出气管 Escape pipe	1	
23	203300091452	过渡管 II pipe II	1	
24	203300091114	中冷器进气管 Air intake takeover	1	
25	310060010032	T型抱箍 70 Anchor ear 70	2	
26	310060010040	T型抱箍 74 Anchor ear 74	6	
27	203300061177	护风圈总成 Fan shroud assy	1	
28	209990000527	双钢丝式环箍60 Clamp 60	2	
29	300030040013	垫圈6 Washer 6	2	
30	300030010014	垫圈6 Washer 6	2	

图 40 燃油系统
Fig.40 Fuel system

Ⓜ CPCD40/45-XRG73 Ⓜ CPC40/45-XRG73 Ⓝ CPCD50-XRXG73 Ⓜ CPC50-XRXG73

序号 Item	物料码 Part NO.	名称 Description	数量 Qty	备注或适用车型 Remarks or Serial NO.
1	203400160164	油水分离器支架 Bracket	1	
2	300030010015	垫圈8 Washer8	4	
3	203400040002	螺塞 Plug	1	
4	300010040169	螺栓M8×16 Bolt M8×16	4	
5	203400170053	油水分离器 Oil-water separator	1	
6	203400070572	输油胶管Φ10×3.5 HoseΦ10×3.5	1	
7	203400070470	输油胶管Φ10×3.5 HoseΦ10×3.5	1	
8	209990000833	蜗杆传动式软管环箍16 Clamp16	4	
9	203400070468	输油胶管Φ10×3.5 HoseΦ10×3.5	1	
10	300010040148	螺栓M6X16 Bolt M6X16	6	
11	300030140011	垫圈6 Washer6	6	
12	203400110229	燃油箱盖组件 Cover of fuel case	1	
13	207900060005	垫 Pad	1	
14	209990010747	燃油箱盖 Cover of fuel case	1	
15	203400020001	磁铁 Ring magnetic iron	1	

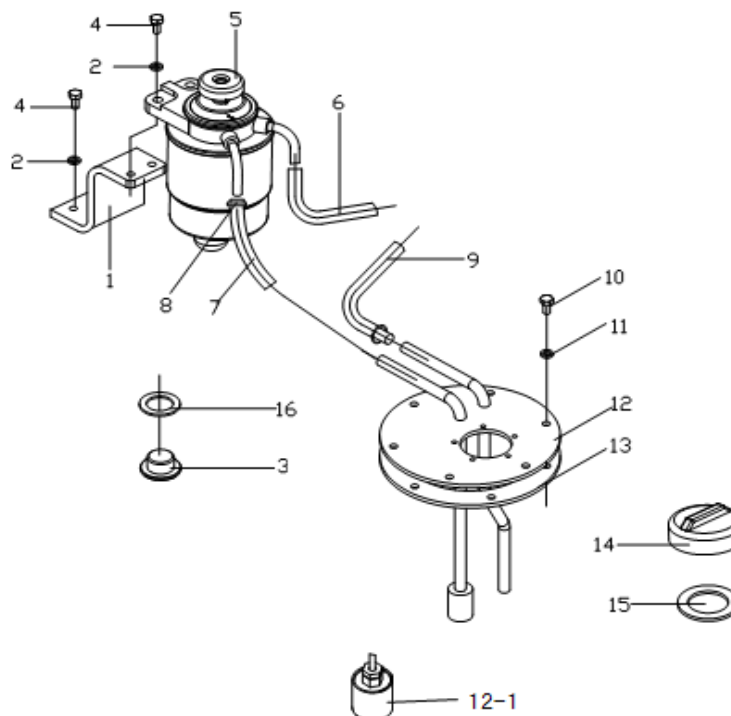
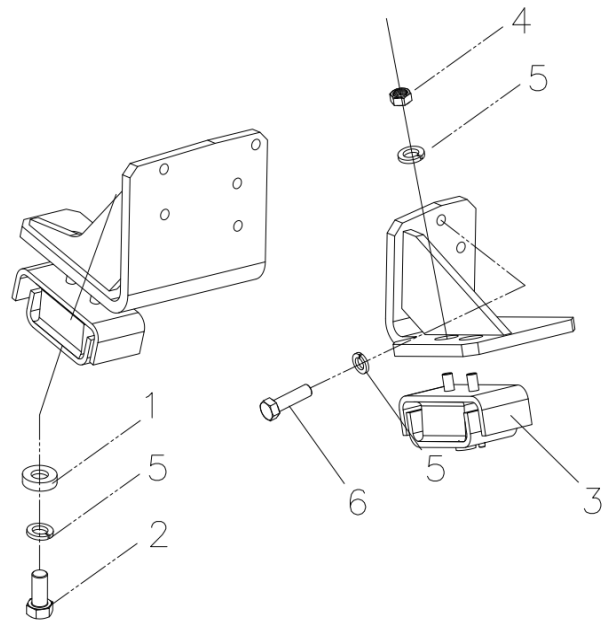


图 41 发动机安装
Fig.41 Engine mount

Ⓜ1 CPC40/45-XRG73

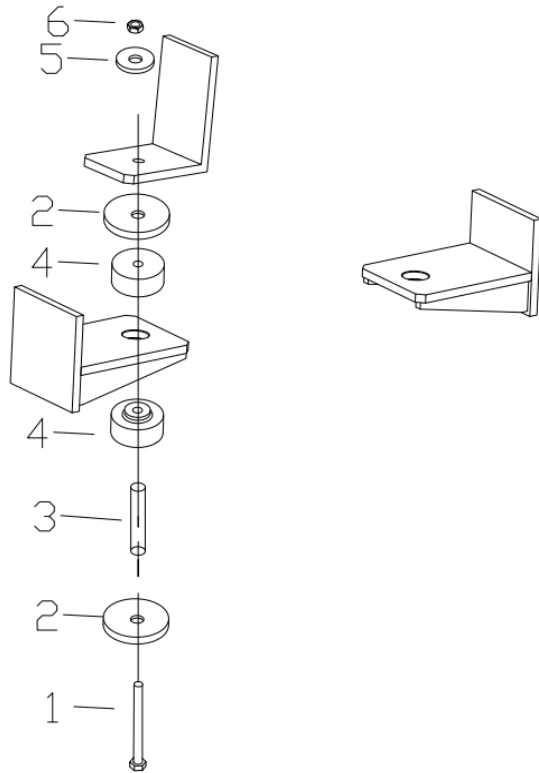
Ⓜ1 CPC50-XRXG73



序号 Item	物料码 Part NO.	名称 Description	数量 Qty	备注或适用车型 Remarks or Serial NO.
1	203010010141	垫片 Washer	2	
2	300010060027	螺栓 M12×1.25×30 Bolt M12×1.25×30	2	
3	209990004152	缓冲垫 Shock pad	2	
4	300020020003	螺母M10×1.25 Nut M10×1.25	4	
5	300030010001	垫圈 10 Washer10	12	
6	300010040011	螺栓 M10×30 Bolt M10×30	8	

图 42 发动机安装
Fig.42 Engine mount

Ⓜ CPCD40/45-XRG73 Ⓝ CPCD50-XRXG73



序号 Item	物料码 Part NO.	名称 Description	数量 Qty	备注或适用车型 Remarks or Serial NO.
1	300010030049	螺栓 M14×110 Bolt M14×110	2	
2	203500030011	垫圈 Washer	4	
3	203500030025	套管 Pipe	2	
4	203500030015	缓冲垫 Shock pad	4	
5	203500030010	垫圈 Washer	2	
6	300020140007	螺母M14 Nut M14	2	

图 43 动力系统
Fig.43 Drive system

© CPCD40/45-XRG93 © CPCD50-XRG93

序号 Item	物料码 Part NO.	名称 Description	数量 Qty	备注或适用车型 Remarks or Serial NO.
1	203010000330	柴油机 4D32YG40-001 Diesel engine	1	
2	203100000625	进气系统 Air inlet system	1	
3	203400000277	燃油系统 Engine fuel system	1	
4	203200000844	排气系统 Exhaust system	1	
5	203300000803	冷却系统 Cooling system	1	
6	300030040013	垫圈6 Washer 6	4	
7	300030010014	垫圈6 Washer 6	4	
8	300010040155	螺栓 M6×30 Bolt M6×30	4	
9	203500000241	发动机安装 Engine mount	1	
10	203010010488	ECU控制器 ECU controller	1	

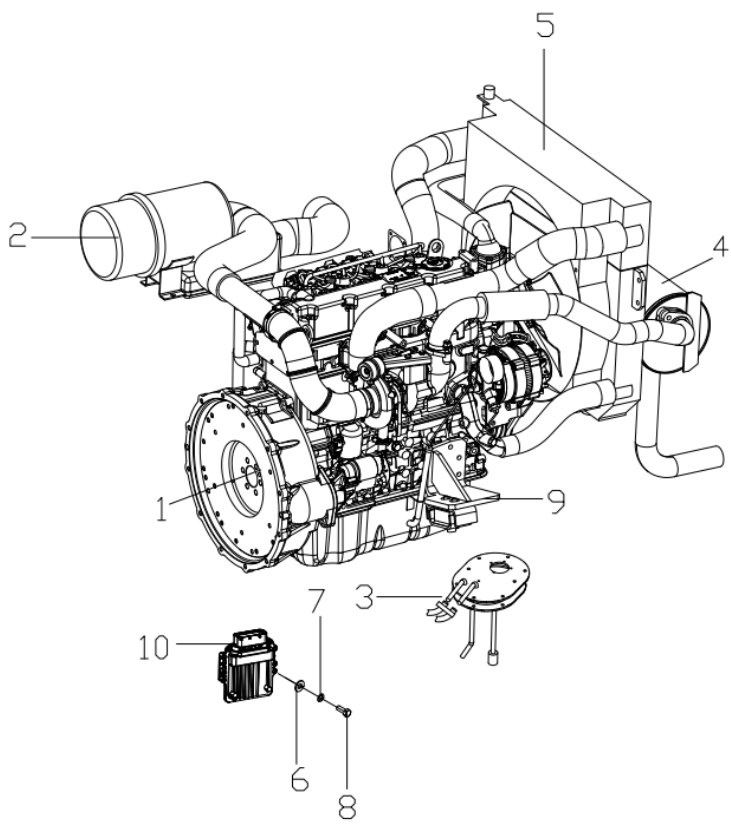


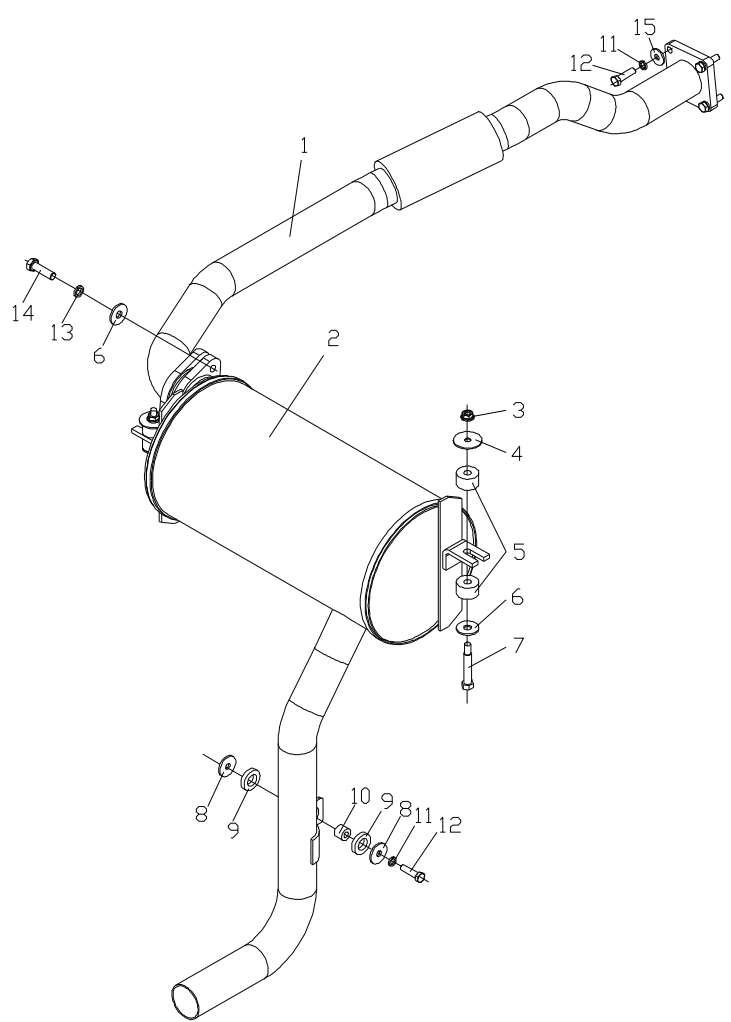
图 44 进气系统
Fig.44 Air intake system

© CPCD40/45-XRG93 © CPCD50-XRG93

序号 Item	物料码 Part NO.	名称 Description	数量 Qty	备注或适用车型 Remarks Or Serial NO.
1	300010040173	螺栓 M8×20 Bolt M8×20	2	
2	300030010015	垫圈8 Washer 8	2	
3	203100010945	发动机进气管 Admitting pipe	1	
4	203100050061	空气滤清器总成 Air cleaner	1	
4-1	NO PART NO.	滤清器盖 Cover	1	
4-2	810300000004	外滤芯 Outer filter paper	1	
4-3	810300000005	内滤芯 Inner filter paper	1	
4-4	810300000006	风叶 Blade	1	
4-5	NO PART NO.	滤清器壳 Shell	1	
5	203100030004	进气消声器 intake muffler	1	
6	209990000606	蜗杆传动式软管环箍89 Clamp 89	3	
7	203100010847	进气管 Air intake pipe	1	
8	209990000609	蜗杆传动式软管环箍95 Clamp 95	1	
9	209990000603	蜗杆传动式软管环箍70 Clamp 70	1	

图 45 排气系统
Fig. 45 Exhaust system

© CPCD40/45-XRG93 © CPCD50-XRG93



序号 Item	物料码 Part NO.	名称 Description	数量 Qty	备注或适用车型 Remarks or Serial NO.
1	203200081766	排气管 Exhaust pipe	1	
2	203200180622	消声器总成 Muffler assy	1	
3	300020280002	螺母M8 Nut M8	2	
4	203200100079	垫圈 Washer	2	
5	203200070010	缓冲垫 Shock pad	4	
6	300030190001	垫圈10 Washer 10	4	
7	203200100083	螺栓 Bolt	2	
8	203200220029	垫片 Washer	2	
9	203200070008	橡胶垫 Pad	2	
10	203200080611	套管 pipe	1	
11	300030010015	垫圈8 Washer 8	5	
12	300010040178	螺栓 M8×30 Bolt M8×30	5	
13	300030010001	垫圈10 Washer 10	4	
14	300010040011	螺栓 M10×35 Bolt M10×35	2	
15	300030190008	垫圈8 Washer 8	4	

第四部分 车身系统目录

Part IV Body system contents

- | | | | |
|-------------------|------------------|--------------------|------------------|
| Ⓐ CPCD40/45-XRG76 | Ⓑ CPCD50-XRXG76 | Ⓐ1 CPC40/45-XRG76 | Ⓑ1 CPC50-XRXG76 |
| Ⓒ CPCD40/45-XRG75 | Ⓓ CPCD50-XRXG75 | Ⓒ1 CPC40/45-XRG75 | Ⓓ1 CPC50-XRXG75 |
| Ⓔ CPCD40/45-XRW34 | Ⓕ CPCD50-XRXW34 | Ⓔ CPCD40/45-XRW35 | Ⓕ CPCD50-XRXW35 |
| Ⓖ CPCD40/45-XRW76 | Ⓖ CPCD50-XRXW76 | Ⓚ CPQYD40/45-XRW57 | Ⓚ CPQYD50-XRXW57 |
| Ⓜ CPCD40/45-XRG73 | Ⓜ CPC40/45-XRG73 | Ⓝ CPCD50-XRXG73 | Ⓝ1 CPC50-XRXG73 |
| Ⓞ CPCD40/45-XRG93 | Ⓞ CPCD50-XRG93 | | |

序号 Item	名称 Description	适用车型 Serial No.	页码 Page
图 1 Fig. 1	平衡重总成 Counterweight assy	全部车型 All models of truck	4-1
图 2 Fig. 2	标示 Nameplate	全部车型 All models of truck	4-3
图 3 Fig. 3	座椅总成 (1) Seat assy (1)	全部车型 All models of truck	4-9
图 4 Fig. 4	车身系统 Truck body system	全部车型 All models of truck	4-10
图 4-A Fig. 4-A	电瓶盒组件 Battery box assy	全部车型 All models of truck	4-11
图 5 Fig.5	仪表架总成 Instrument frame assy	全部车型 All models of truck	4-13
图 6 Fig. 6	机罩及底板总成 (一) Hood and floor board assy(I)	全部车型 All models of truck	4-15
图 7 Fig. 7	护顶架 Overhead guard	全部车型 All models of truck	4-18

图1 平衡重总成
Fig.1 Counter balance assy

全部车型
All models of truck

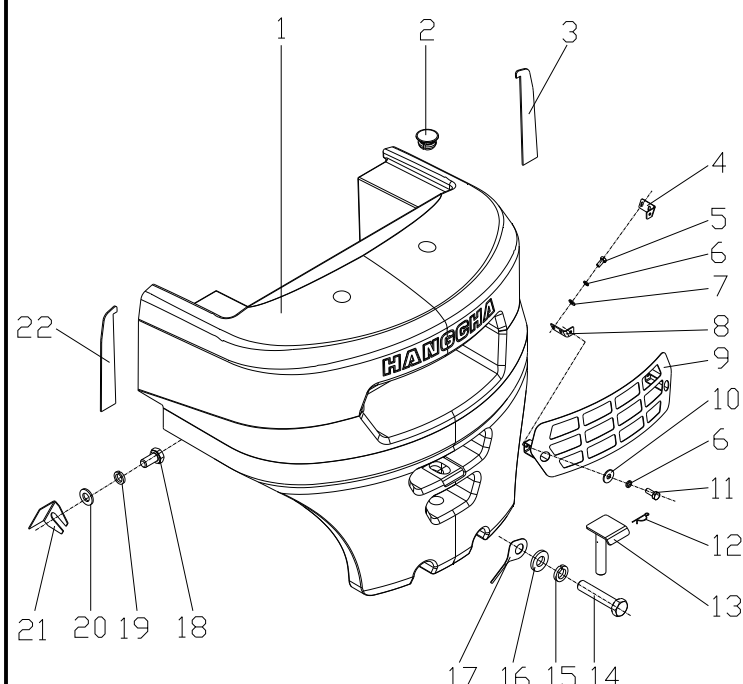
	序号 Item	物料码 Part NO.	名称 Description	数量 Qty	备注或适用车型 Remarks Or Serial NO.
	1	200100020471	平衡重 Counter balance	1	4.0t
	1	200100020467		1	4.5t
	1	200100020472		1	5.0t
	2	200100070003	塞子 Plug	2	
	3	200100110006	右密封条 Right seal strip	1	
	4		右支架组件 Right bracket assy	1	For CE
	5	300010040169	螺栓 M8×16 Towing pin	4	For CE
	6	300030010015	垫圈 8 Washer 8	6	For CE
	7	300030040014	垫圈 8 Washer 8	4	For CE
	8		左支架组件 Left bracket assy	1	For CE
	9		平衡重网罩 Counter balance net cover	1	For CE
	10	300030190008	垫圈 8 Washer 8	2	For CE
	11	300010040173	螺栓 M8×20 Towing pin	2	For CE
12	200100080684	锁销 Lock pin	1	For CE	
13	200100050103	牵引销 Towing pin	1		

图1 平衡重总成
Fig.1 Counter balance assy

全部车型
All models of truck

	序号 Item	物料码 Part NO.	名称 Description	数量 Qty	备注或适用车型 Remarks Or Serial NO.
	14	300010030148	螺栓 M36×180 Towing pin M36×180	2	
	15	300030090006	垫圈 36 Washer 36	2	
	16	200100100031	垫圈 Washer	2	
	17	200100060010	调整垫片 Adjust shim	2	数量根据调整所需 Adjust number
	18	300010040005	螺栓 M10×20 Towing pin	4	
	19	300030010001	垫圈 10 Washer 10	4	
	20	300030040002	垫圈 10 Washer 10	4	
	21	200100060008	调整垫片 Adjust shim	4	数量根据调整所需 Adjust number
	22	200100110005	左密封条 Left seal strip	1	

图2 标示
Fig.2 Nameplate

全部车型
All models of truck

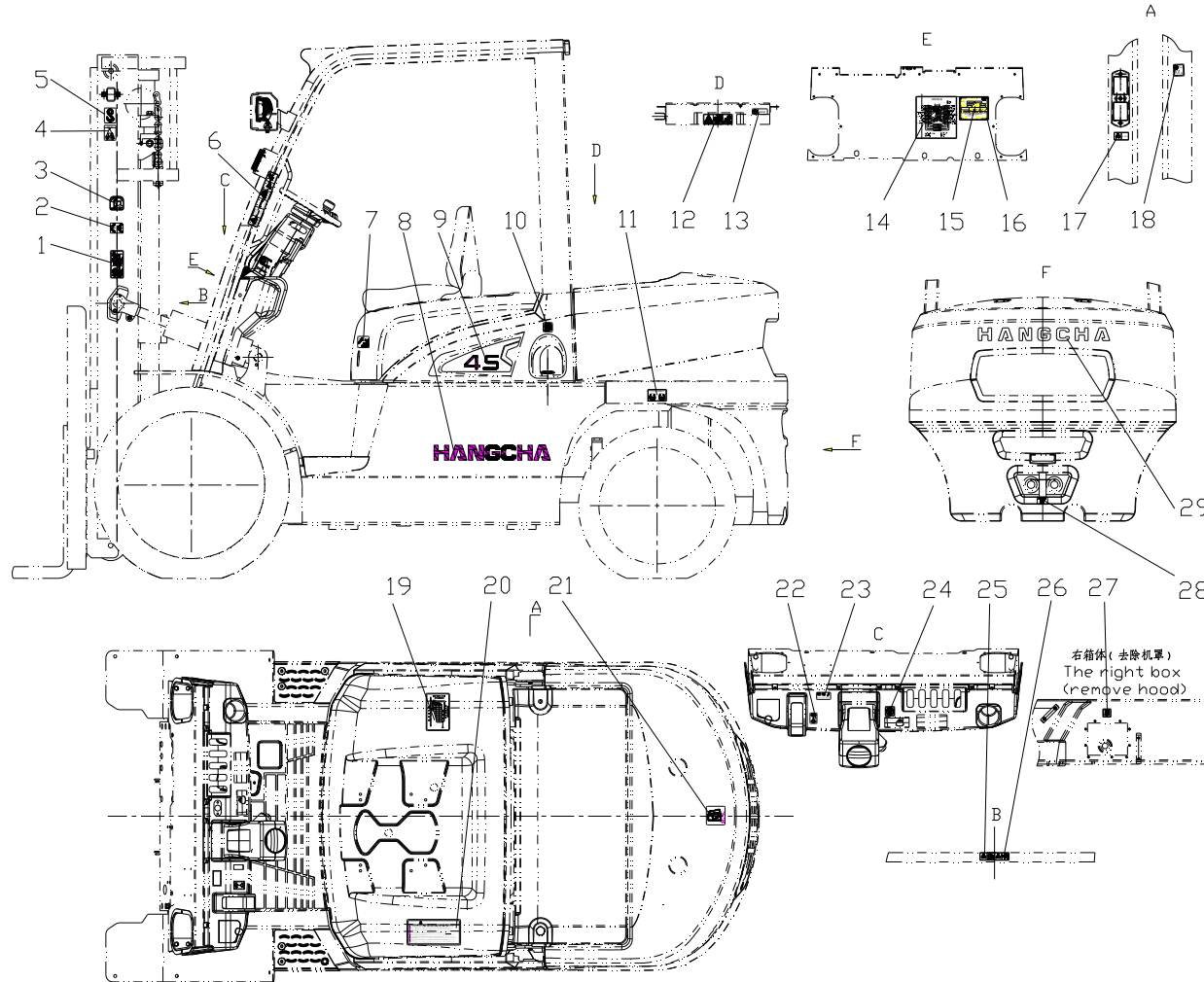


图2 标示
Fig.2 Nameplate

全部车型
All models of truck

序号 Item	代号 Part No.	名称 Description	数量 Qty	备注或适用车型 Remarks or Serial No.
1	200200100122	危险标签 Dangerous nameplate	2	中文
1	200200100092	门架警告标签 Door warning nameplate	2	English
2	200200170010	CE 标签 CE nameplate	2	For CE
3	200200150348	云智能标签 Intelligence nameplate	2	智能模块用
4	200200150142	起吊标签 Lift nameplate	2	中文
4	200200150145	起吊点标签 Lift nameplate	2	English
5	200200150141	起吊标签 Lift nameplate	2	链条内置门架
6	200200100049	安全带标签 Safe belt nameplate	1	
7	200200130002	机罩打开标签 Hood open nameplate	1	
8	200200050115	字样标签 Script nameplate	2	English
8	200200160260	字样标签 Script nameplate	2	中文
9	200200030596	左吨位标签 Left ton nameplate	1	4.0t
9	200200030600	左吨位标签 Left ton nameplate	1	4.5t
9	200200030597	左吨位标签 Left ton nameplate	1	5.0t
9	200200030585	右吨位标签 Right ton nameplate	1	4.0t

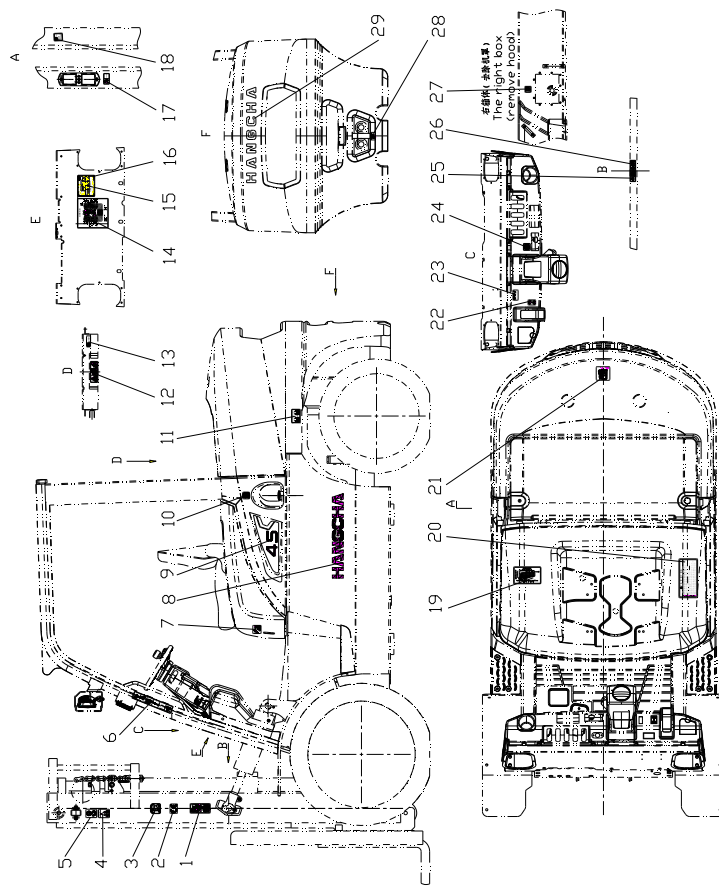


图2 标示
Fig.2 Nameplate

全部车型
All models of truck

序号 Item	代号 Part No.	名称 Description	数量 Qty	备注或适用车型 Remarks or Serial No.
9	200200030589	右吨位标签 Right ton nameplate	1	4.5t
9	200200030586	右吨位标签 Right ton nameplate	1	5.0t
10	200200120036	柴油标签 Diesel oil nameplate	1	柴油叉车 Diesel forklift
10	200200120037	汽油标签 Gasoline nameplate	1	汽油机及双燃料叉车 Gasoline&CNG forklift
11	200200090035	轮胎气压标签 Type pressure nameplate	1	中文
11	200200090034	轮胎气压标签 Type pressure nameplate	1	English
12	200200100108	切手危险标签 Hand cut risk label	1	中文
12	200200100110	切手危险标签 Hand cut risk label	1	English
13	200200150087	防冻液标签 Antifreeze nameplate	1	中文
13	200200150088	防冻液标签 Antifreeze nameplate	1	English
14	200200150346	润滑系统标签 Lubrication	1	中文
14	200200150347	润滑系统标签 Lubrication	1	English
15	200200062094	产品铭牌 Product nameplate	1	4.0t
15	200200062096	产品铭牌 Product nameplate	1	4.5t
15	200200062095	产品铭牌 Product nameplate	1	5.0t

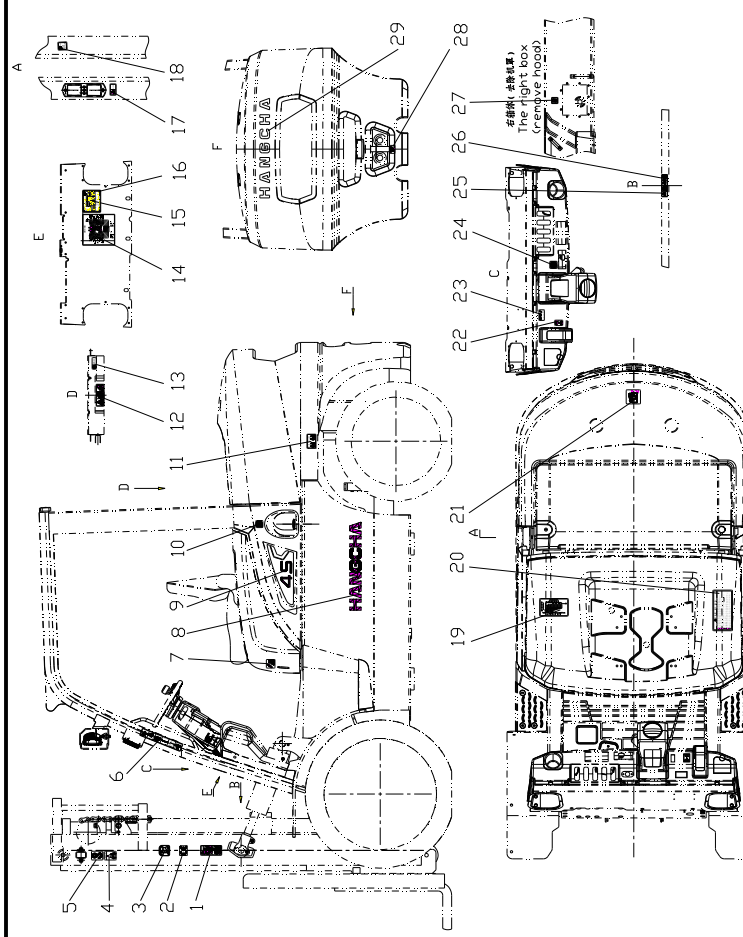


图2 标示
Fig.2 Nameplate

全部车型
All models of truck

序号 Item	代号 Part No.	名称 Description	数量 Qty	备注或适用车型 Remarks or Serial No.
16	300080060001	铆钉 4×10 Rivet4×10	4	
17	200200100133	严禁冲水标签 No swashing nameplate	1	
18	200200040020	噪音标示 Noise nameplate	1	CE
19	200200080973	载荷曲线标牌 Load nameplate	1	4.0t 中文
19	200200080974	载荷曲线标牌 Load nameplate	1	4.0t 中文
19	200200080869	载荷曲线标牌 Load nameplate	1	4.0tEnglish
19	200200080874	载荷曲线标牌 Load nameplate	1	4.0tEnglish
19	200200080946	载荷曲线标牌 Load nameplate	1	4.5t 中文
19	200200080875	载荷曲线标牌 Load nameplate	1	4.5t 中文
19	200200080876	载荷曲线标牌 Load nameplate	1	4.5t English
19	200200080947	载荷曲线标牌 Load nameplate	1	4.5t English
19	200200080984	载荷曲线标牌 Load nameplate	1	5.0t 中文
19	200200080985	载荷曲线标牌 Load nameplate	1	5.0t 中文
19	200200080880	载荷曲线标牌 Load nameplate	1	5.0t English

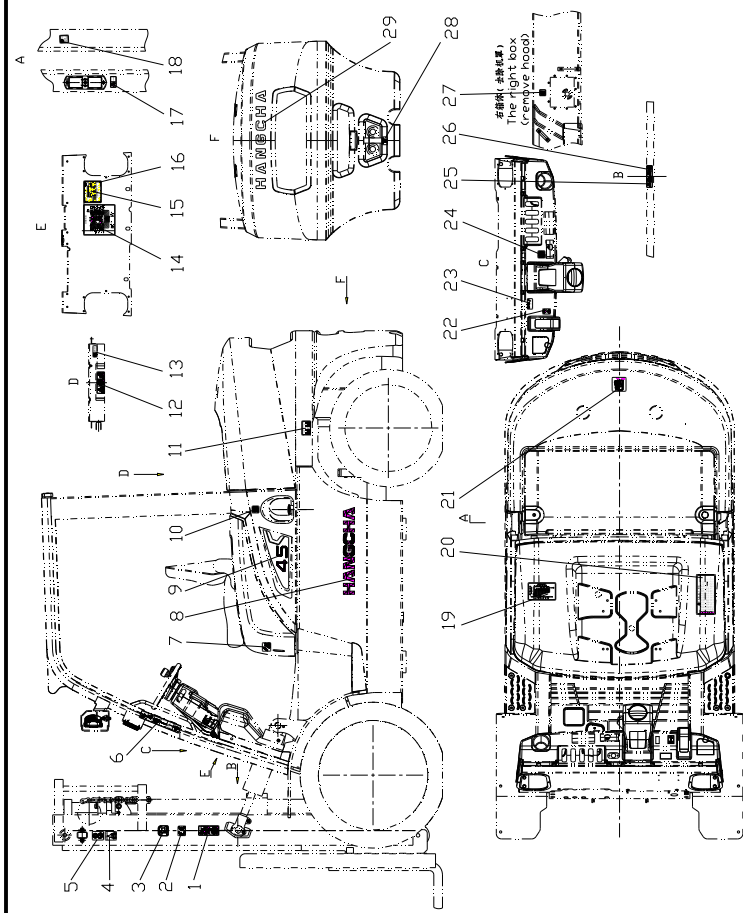
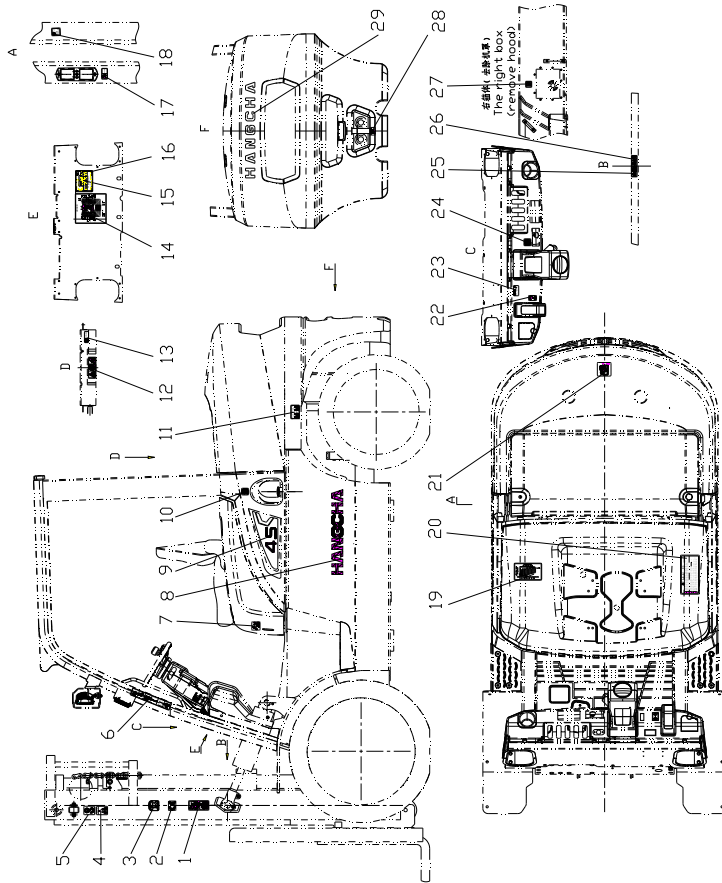


图2 标示
Fig.2 Nameplate

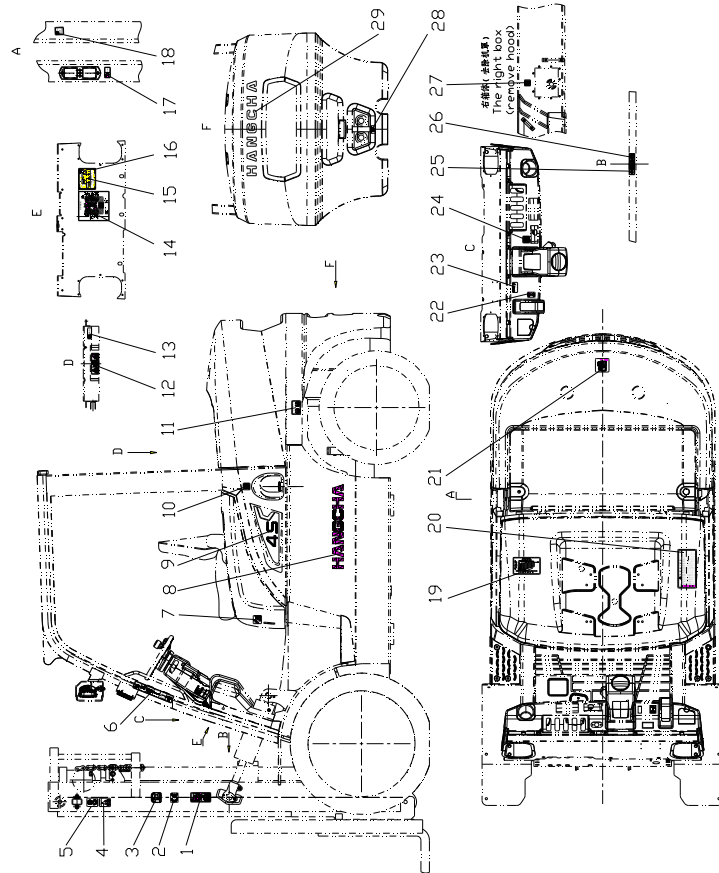
全部车型
All models of truck



序号 Item	代号 Part No.	名称 Description	数量 Qty	备注或适用车型 Remarks or Serial No.
19	200200080877	载荷曲线标牌 Load nameplate	1	5.0t English
20	200200100084	警告标签 Warn nameplate	1	中文
20	200200100083	警告标签 Warn nameplate	1	English
21	200200150061	LPG 标签 LPG nameplate	1	中文
21	200200150060	LPG 标签 LPG nameplate	1	English
22	200200110062	操作标签 1 Operation nameplate 1	1	English (Hydraulic forklifts)
22	200200110065	操作标签 2 Operation nameplate 2	1	English (Mechanical forklift)
22	200200110063	操作标签 1 Operation nameplate 1	1	中文 (液力叉车)
22	200200110066	操作标签 2 Operation nameplate 2	1	中文 (机械叉车)
23	200200150147	手制动器标签 Brake nameplate	1	
24	200200150094	紧停标签 Emergency Stop nameplate	1	紧急断电开关 Emergency power off switch
25	200200100117	危险标签 Dangerous nameplate	1	中文
25	200200100128	危险标签 Dangerous nameplate	1	English
26	200200100121	危险标签 Dangerous nameplate	1	中文
26	200200100087	门架夹手警告标签 Door frame nameplate	1	English

图2 标示
Fig.2 Nameplate

全部车型
All models of truck



序号 Item	代号 Part No.	名称 Description	数量 Qty	备注或适用车型 Remarks or Serial No.
27	200200120042	液压油标签 Hydraulic oil nameplate	1	
28	200200150148	拴系点标签 Tie down point nameplate	1	
29	200200160273	平衡重字样标签 Balanced word nameplate	1	

图3 座椅总成 (1)
Fig.3 Seat assy (1)

全部车型
All models of truck

序号 Item	物料码 Part NO.	名称 Description	数量 Qty	备注或适用车型 Remarks Or Serial NO.
A	200300000154	座椅总成 Seat assy	1	

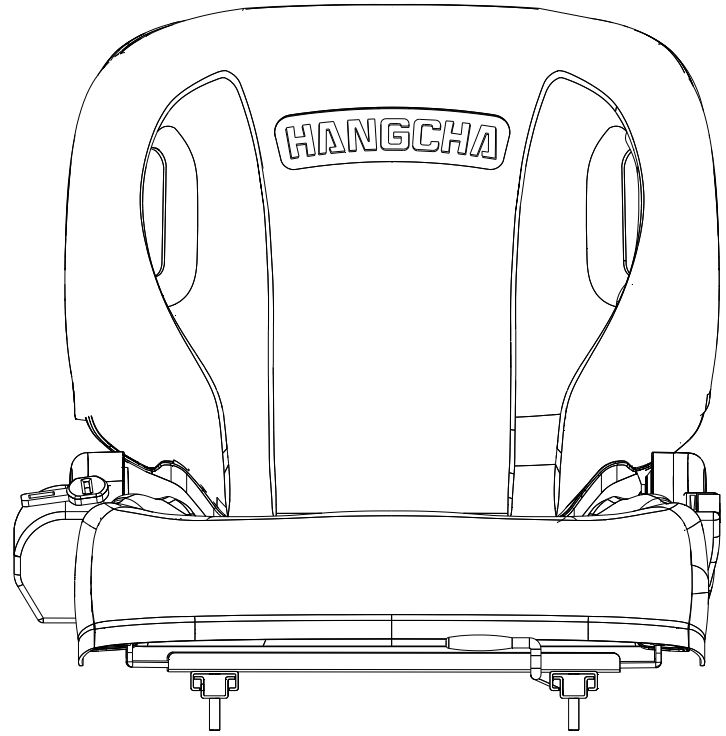


图4 车身系统
Fig.4 Truck body system

全部车型
All models of truck

序号 Item	物料码 Part NO.	名称 Description	数量 Qty	备注或适用车型 Remarks Or Serial NO.
1	204100001347	车架 Chassis	1	(A) (B)
1	204100001509	车架 Chassis	1	(A1) (B1)
1	204100001230	车架 Chassis	1	(C) (D)
1	204100001362	车架 Chassis	1	(C1) (D1)
1	204100001229	车架 Chassis	1	(E) (F) (G) (H)
1	204100001721	车架 Chassis	1	(I) (J)
1	204100001234	车架 Chassis	1	(K) (L)
1	204100001232	车架 Chassis	1	(M) (N)
1	200010040791	车架 Chassis		(M1) (N1)
1	204100001233	车架 Chassis		(O) (P)
2	204001000093	横梁 Beam	1	
3	310010080023	螺栓组件 Bolt	6	
4	204501010056	左踏板 Left pedal	1	
5	204501010053	右踏板 Right pedal	1	
6	300010220002	螺栓组合件 M8×25 Bolt M8×25	6	

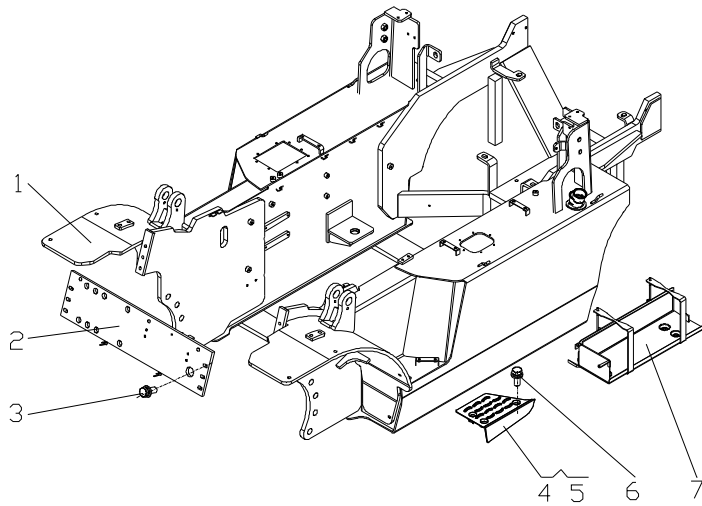


图 4-A 电瓶盒组件
Fig.4-A Battery box assy

全部车型
All models of truck

	序号 Item	物料码 Part NO.	名称 Description	数量 Qty	备注或适用车型 Remarks Or Serial NO.
	A	20440000376	电瓶盒组件 Battery box assy	1	(A) (B) (A1) (B1) (C) (D) (C1) (D1) (I) (J) (O) (P) 包含 INC:1-8
	A	20440000375	电瓶盒组件 Battery box assy	1	(E) (F) (G) (H) 包含 INC:1-8
	A	20440000377	电瓶盒组件 Battery box assy	1	(K) (L) 包含 INC:1-8
	A	20440000374	电瓶盒组件 Battery box assy	1	(M) (M1) (N) (N1)
	1	204401000178	电瓶盒托架 Battery box bracket	1	(A) (B) (A1) (B1) (C) (D) (C1) (D1) (I) (J) (O) (P)
	1	204401000176	电瓶盒托架 Battery box bracket	1	(G) (H) (E) (F)
	1	204400110364	电瓶盒托架 Battery box bracket	1	(K) (L)
	1	204401000177	电瓶盒托架 Battery box bracket	1	(M) (M1) (N) (N1)
	2	310080060049	隔热垫 Heat insulating mattress	1	(A) (B) (A1) (B1) (C) (D) (C1) (D1) (I) (J) (G) (H) (E) (F) (O) (P)
	2	310080060041	隔热垫 Heat insulating mattress	1	(K) (L) (M) (M1) (N) (N1)
	3	204400040012	拉杆 Pull rod	2	(A) (B) (A1) (B1) (C) (D) (C1) (D1) (I) (J) (G) (H) (E) (F) (O) (P)
	3	204400040012	拉杆 Pull rod	1	(K) (L)

图 4-A 电瓶盒组件
Fig.4-A Battery box assy

全部车型
All models of truck

	序号 Item	物料码 Part NO.	名称 Description	数量 Qty	备注或适用车型 Remarks Or Serial NO.
	3	204400040004	拉杆 Pull rod	2	Ⓜ Ⓜ1 Ⓝ Ⓝ1
	4	204400030035	压板 Pressboard	2	Ⓐ Ⓑ Ⓐ1 Ⓑ1 Ⓒ Ⓓ Ⓒ1 Ⓓ1 Ⓘ Ⓙ Ⓔ Ⓕ Ⓖ Ⓗ Ⓖ Ⓞ Ⓟ
	4	204400030035	压板 Pressboard	1	Ⓚ Ⓛ
	4	204400030060	角钢	1	Ⓜ Ⓜ1 Ⓝ Ⓝ1
	5	300020240001	螺母 M6 Nut M6	2	Ⓐ Ⓑ Ⓐ1 Ⓑ1 Ⓒ Ⓓ Ⓒ1 Ⓓ1 Ⓘ Ⓙ Ⓔ Ⓕ Ⓖ Ⓗ Ⓖ Ⓜ Ⓜ1 Ⓝ Ⓝ1 Ⓞ Ⓟ
	5	300020240001	螺母 M6 Nut M6	1	Ⓚ Ⓛ
	6	300010040173	螺栓 M8×20 Bolt M8×20	4	
	7	300030010015	垫圈8 Washer 8	4	
	8	300030040014	垫圈8 Washer 8	4	

图5 仪表架总成
Fig.5 Instrument frame assy

全部车型
All models of truck

序号 Item	物料码 Part NO.	名称 Description	数量 Qty	备注或适用车型 Remarks Or Serial NO.
1	204201000175	仪表架 Instrument frame	1	
2	310070030007	螺钉组件 Screw	11	护顶架
2	310070030007	螺钉组件 Screw	5	驾驶室
3	204202020111	左护罩 Left cover	1	
4	204203000004	开关护罩 Switch cover	1	
5	300040260005	螺钉组合件 M4×25 Screw M4×25	2	
6	300040260003	螺钉组合件 M5×16 Screw M5×16	3	
7	204202020113	左前罩 Left front cover	1	
8	204202020108	右前罩 Left front cover	1	
9	204201010134	右护罩支架 Right cover bracket	1	
10	204202020102	右护罩 Right cover	1	非紧急断电开关
10	204202020136	右护罩 Right cover	1	紧急断电开关
11	300010220013	螺栓组合件 M6×16 Bolt M6×16	6	驾驶室
12	310010080022	螺栓组件 Bolt	7	
13	204202010013	杯子 Glass	1	护顶架

图5 仪表架总成
Fig.5 Instrument frame assy

全部车型
All models of truck

	序号 Item	物料码 Part NO.	名称 Description	数量 Qty	备注或适用车型 Remarks Or Serial NO.
	13	204202010014	杯子 Glass	1	驾驶室
	14	204200060083	压板 Pressboard	4	
	15	204200020008	防尘罩 Dustproof hood	2	
	16	206400120002	扣件 Fastener	12	
	17	209990000598	蜗杆传动式软管环箍 127 Clamp	2	

图6 机罩及底板总成(一)
Fig.6 Hood and floor board assy(I)

全部车型
All models of truck

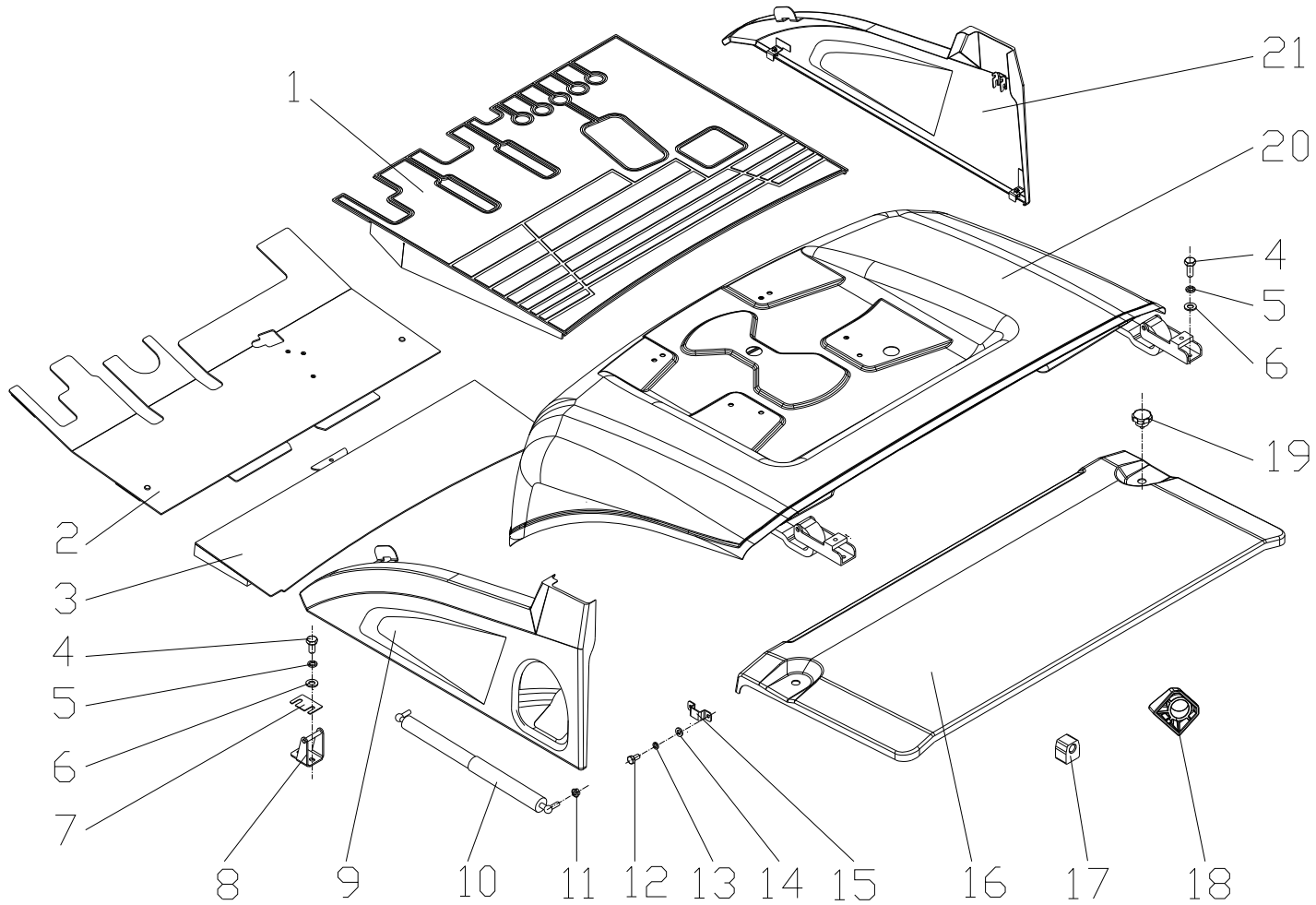


图6 机罩及底板总成(一)
Fig.6 Hood and floor board assy(I)

全部车型
All models of truck

序号 Item	物料码 Part NO.	名称 Description	数量 Qty	备注或适用车型 Remarks Or Serial NO.
1	204300020127	踏板垫 Pedal pad	1	Ⓐ Ⓑ Ⓒ Ⓓ Ⓔ Ⓕ Ⓖ Ⓝ Ⓞ Ⓟ
1	204300020129	踏板垫 Pedal pad	1	Ⓔ Ⓕ Ⓖ Ⓗ Ⓘ Ⓝ
1	204300020130	踏板垫 Pedal pad	1	ⒶⓃ ⒷⓃ ⒸⓃ ⒹⓃ ⓂⓃ ⓃⓃ
2	204302000303	前底板 Floor board	1	Ⓐ Ⓑ Ⓒ Ⓓ Ⓔ Ⓕ Ⓖ Ⓝ Ⓞ Ⓟ
2	204302000302	前底板 Floor board	1	Ⓔ Ⓕ Ⓖ Ⓗ Ⓘ Ⓝ
2	204302000327	前底板 Floor board	1	ⒶⓃ ⒷⓃ ⒸⓃ ⒹⓃ ⓂⓃ ⓃⓃ
3	204302000289	后底板 Bear board	1	
4	300010040173	螺栓 M8×20 Bolt M8×20	6	
5	300030010015	垫圈8 Washer 8	6	
6	300030040014	垫圈8 Washer 8	6	
7	204300130172	调整垫片 Adjusting washer	1	
8	204304040001	锁扣底座 Lock base	1	
8	204302000296	锁扣底座 Lock base	1	CE
9	204302000296	机罩左侧板总成 Left side panel	1	
10	310120010061	气弹簧 Air spring	1	

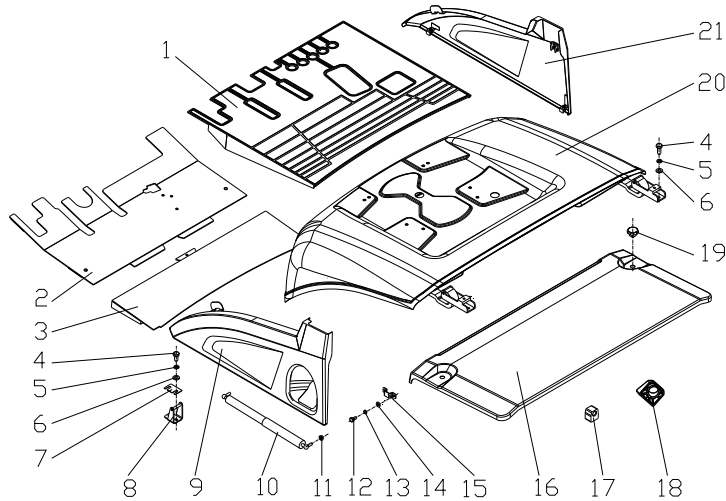
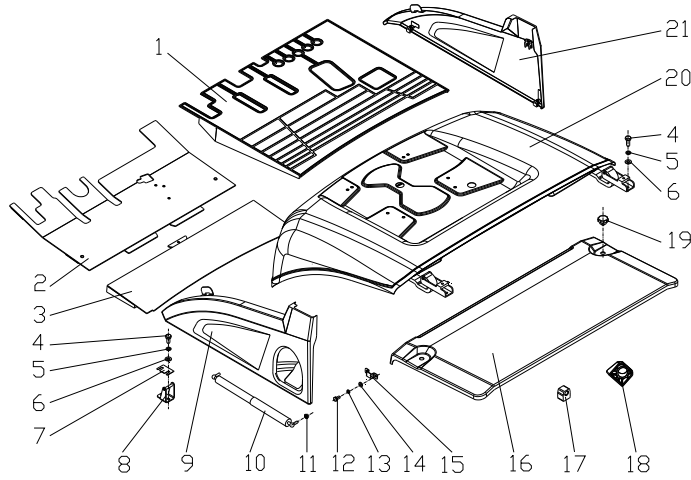


图6 机罩及底板总成(一)
Fig.6 Hood and floor board assy(I)

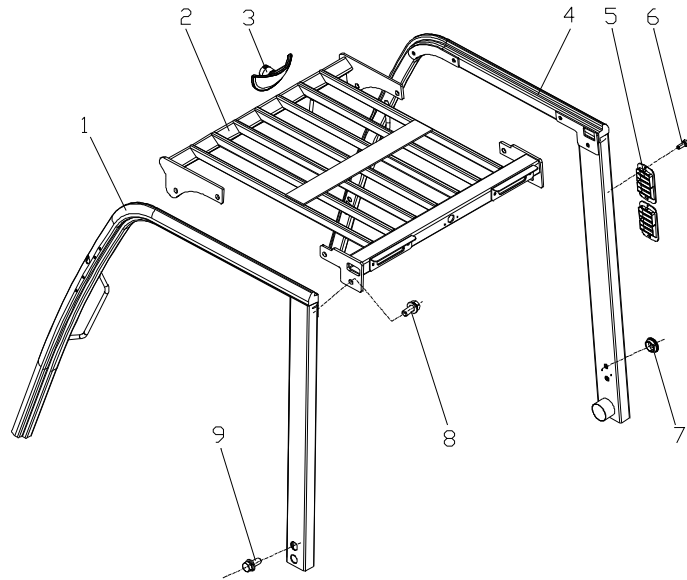
全部车型
All models of truck



序号 Item	物料码 Part NO.	名称 Description	数量 Qty	备注或适用车型 Remarks Or Serial NO.
11	300020080005	螺母 M8 Nut M8	2	
12	300010040145	螺栓 M6×12 Bolt M6×12	4	
13	300030010014	垫圈6 Washer 6	4	
14	300030040013	垫圈6 Washer 6	4	
15	204300141381	支架 Bracket	2	
16	204300010272	水箱盖板 Cover plate, rear	1	除外 Except (K) (L)
16	204300010251	水箱盖板 Cover plate, rear	1	(K) (L)
17	203100020011	垫块 Block	4	
18	204300060003	加油口密封块 Oil seal block	1	
19	204304050006	拧紧螺栓 Bolt	2	
20	204301000504	机罩组件 Hood assy	1	
21	204302000292	机罩右侧板总成 Right side plate	1	

图7 护顶架
Fig.7 Overhead guard

全部车型
All models of truck



序号 Item	物料码 Part NO.	名称 Description	数量 Qty	备注或适用车型 Remarks Or Serial NO.
1	208101002317	左支撑腿总成 Left pillar assy	1	
2	208102000326	顶架 Overhead guard	1	
3	208100040005	观后视镜总成 Rear mirror assy	1	
4	208101002276	右支撑腿总成 Right pillar	1	
5	204000130038	进气窗 Air intake window	2	
6	300040070008	螺钉 M5×12 Bolt M5×12	4	
7	208100050004	橡胶塞 Rubber plug	4	
8	310010080022	螺栓组件 Bolt	8	
9	310010080024	螺栓组件 Bolt	8	

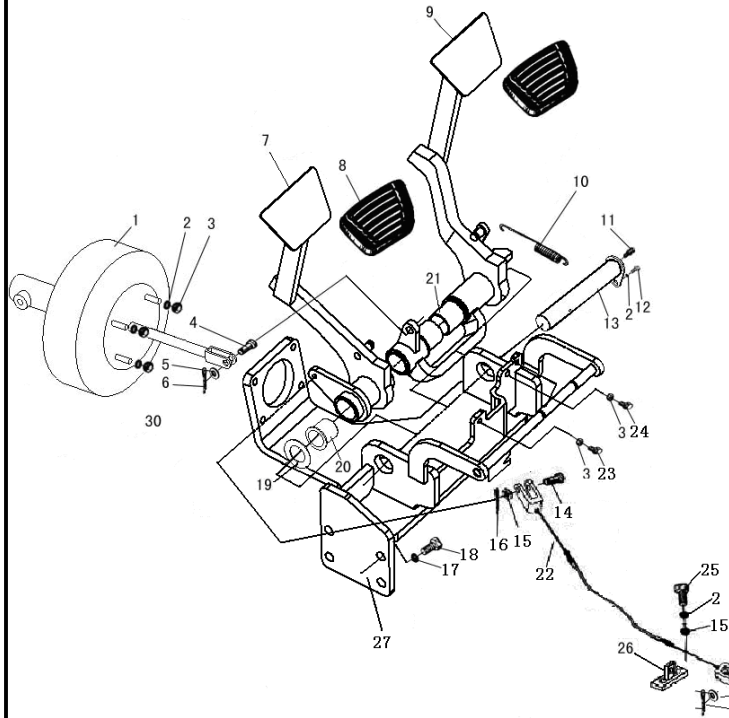
第五部分 操纵系统目录 Part V Control system contents

Ⓐ CPCD40/45-XRG76	Ⓑ CPCD50-XRXG76	Ⓐ ¹ CPC40/45-XRG76	Ⓑ ¹ CPC50-XRXG76
Ⓒ CPCD40/45-XRG75	Ⓓ CPCD50-XRXG75	Ⓒ ¹ CPC40/45-XRG75	Ⓓ ¹ CPC50-XRXG75
Ⓔ CPCD40/45-XRW34	Ⓕ CPCD50-XRXW34	Ⓒ ² CPCD40/45-XRW35	Ⓕ ² CPCD50-XRXW35
Ⓘ CPCD40/45-XRW76	Ⓙ CPCD50-XRXW76	Ⓚ CPQYD40/45-XRW57	Ⓛ CPQYD50-XRXW57
Ⓜ CPCD40/45-XRG73	Ⓜ ¹ CPC40/45-XRG73	Ⓝ CPCD50-XRXG73	Ⓝ ¹ CPC50-XRXG73
Ⓞ CPCD40/45-XRG93	Ⓞ ¹ CPCD50-XRG93		

序号 Item	名称 Description	适用车型 Serial No.	页码 Page
图 1 Fig. 1	制动微动踏板总成 Brake and inching pedal assy	Ⓐ Ⓑ Ⓒ Ⓓ Ⓜ Ⓝ Ⓞ Ⓟ	5-1
图 2 Fig. 2	制动微动踏板总成 Brake and inching pedal assy	Ⓔ Ⓕ Ⓒ ² Ⓙ Ⓚ Ⓛ	5-3
图 2-A Fig. 2-A	液压助力制动总成 Hydraulic booster brake assy	Ⓒ ² Ⓙ Ⓚ Ⓛ	5-6
图 3 Fig. 3	制动离合踏板总成 Brake and clutch pedal assy	Ⓐ ¹ Ⓑ ¹ Ⓒ ¹ Ⓓ ¹ Ⓜ ¹ Ⓝ ¹ 机械叉车 Mechanical forklift	5-7
图 4 Fig. 4	油门操纵总成 Throttle control assy	除外 Except Ⓔ Ⓕ Ⓒ ² Ⓙ	5-9
图 5 Fig. 5	油门操纵总成 Throttle control assy	Ⓔ Ⓕ Ⓒ ² Ⓙ Ⓚ Ⓛ	5-10
图 6 Fig. 6	手制动操纵总成 Hand brake control assy	全部车型 All models of truck	5-12
图 7 Fig. 7	制动油管总成 Brake oil pipe assy	Ⓐ Ⓑ Ⓒ Ⓓ Ⓜ Ⓝ Ⓞ Ⓟ	5-13
图 8 Fig. 8	制动油管总成 Brake oil pipe assy	Ⓔ Ⓕ Ⓒ ² Ⓙ Ⓚ Ⓛ	5-14

图1 制动微动踏板总成
Fig.1 Brake and inching pedal assy

Ⓐ CPCD40/45-XRG76 Ⓑ CPCD50-XRXG76 Ⓒ CPCD40/45-XRG75 Ⓓ CPCD50-XRXG75
Ⓜ CPCD40/45-XRG73 Ⓝ CPCD50-XRXG73 Ⓞ CPCD40/45-XRG93 Ⓟ CPCD50-XRG93



序号 Item	物料码 Part NO.	名称 Description	数量 Qty	备注或适用车型 Remarks Or Serial NO.
1	205100340010	真空助力器主缸总成 Vacuum booster and cylinder assy	1	
2	300030010015	垫圈8 Washer 8	5	
3	300020010016	螺母M8 Nut M8	6	
4	300050040002	销轴10×24 Pin 10×24	1	
5	300030040002	垫圈10 Washer 10	2	
6	205100160013	锁销1.8B Pin 1.8B	1	
7	205100170034	微动踏板 Inching pedal	1	
8	205100180001	踏板垫 Pedal pad	2	
9	205100170188	制动踏板 Brake pedal	1	
10	205100050015	弹簧 Spring	2	
11	205100370004	油杯 Grease cup assy	1	
12	300010040169	螺栓M8×16 Bolt M8×16	1	
13	205100430117	销轴 Shaft	1	
14	300050040078	销轴B8×25 Pin B8×25	2	
15	300030040014	垫圈8 Washer 8	4	

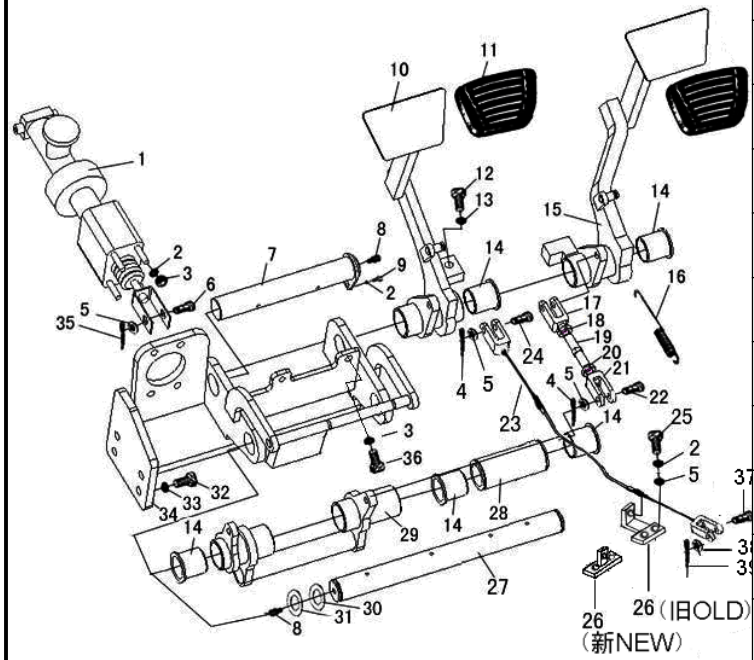
图.1 制动微动踏板总成
Fig.1 Brake and inching pedal assy

Ⓐ CPCD40/45-XRG76 Ⓑ CPCD50-XRXG76 Ⓒ CPCD40/45-XRG75 Ⓓ CPCD50-XRXG75
Ⓜ CPCD40/45-XRG73 Ⓝ CPCD50-XRXG73

序号 Item	物料码 Part NO.	名称 Description	数量 Qty	备注或适用车型 Remarks Or Serial NO.	
16	300050010024		销3.2×14 Pin 3.2×14	2	
17	300030010002		垫圈12 Washer 12	4	
18	300010060024		螺栓M12×1.25×25 Bolt M12×1.25×25	4	
19	205100090012		垫片 Gasket	1	
20	205100320020		套 Bushing	1	
21	205100320007		套 Bushing	4	
22	205100100057		微动软轴 Soft shaft	1	
23	300010040187		螺栓M8×60 Bolt	1	
24	300010040183		螺栓M8×40 Bolt	1	
25	300010040173		螺栓M8×20 Bolt	1	
26	205100020296		支架 Bracket	1	
27	205100080038		底座 Pedestal	1	

图.2 制动微动踏板总成
Fig.2 Brake and inching pedal assy

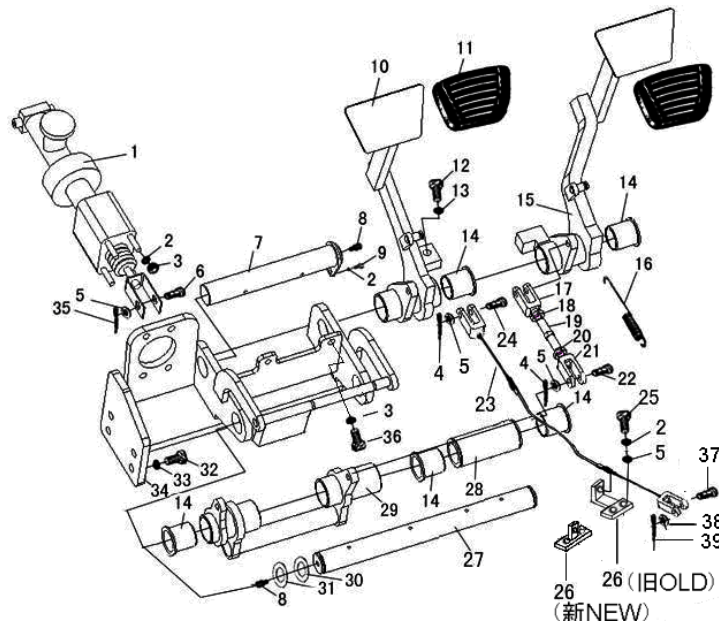
Ⓔ CPCD40/45-XRW34 Ⓕ CPCD50-XRXW34 Ⓖ CPCD40/45-XRW35 Ⓖ CPCD50-XRXW35
Ⓗ CPCD40/45-XRW76 Ⓖ CPCD50-XRXW76 Ⓖ CPQYD40/45-XRW57 Ⓖ CPQYD50-XRXW57



序号 Item	物料码 Part No.	名称 Description	数量 Qty	备注或适用车型 Remarks or Serial No.
1	205100340019	液压助力制动总成 Hydraulic booster brake assy	1	见图 2-A See Fig. 2-A
2	300030010015	垫圈 8 Washer 8	7	
3	300020010016	螺母 M8 Nut M8	6	
4	300050010024	销 3.2×14 Pin 3.2×14	4	
5	300030040014	垫圈 8 Washer 8	7	
6	300050040040	销轴 B8×28 Pin B8×28	1	
7	205100430115	销轴 Pin	1	
8	205100370004	油杯 Grease cup assy	3	
9	300010040169	螺栓 M8×16 Bolt M8×16	1	
10	205100170034	微动踏板 Inching pedal	1	
11	205100180001	踏板垫 Pedal pad	2	
12	310010010032	螺栓 Bolt	1	
13	300020010006	螺母 M10 Nut M10	1	
14	205100320007	套 Bushing	10	
15	205100170045	制动踏板 Brake pedal	1	

图.2 制动微动踏板总成
Fig.2 Brake and inching pedal assy

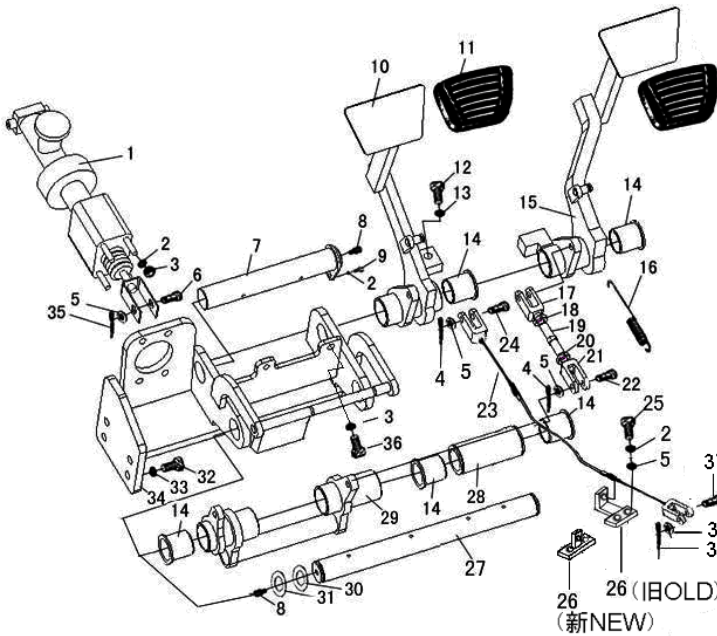
Ⓔ CPCD40/45-XRW34 Ⓕ CPCD50-XRXW34 Ⓖ CPCD40/45-XRW35 Ⓖ CPCD50-XRXW35
Ⓘ CPCD40/45-XRW76 Ⓙ CPCD50-XRXW76 Ⓚ CPQYD40/45-XRW57 Ⓛ CPQYD50-XRXW57



序号 Item	物料码 Part No.	名称 Description	数量 Qty	备注或适用车型 Remarks or Serial No.
16	205100050013	弹簧 Spring	2	
17	205100030013	下连杆叉头 Yoke	1	
18	300020300013	螺母 M10-左旋 Nut	1	
19	205100130005	杆 Rod	1	
20	300020300002	螺母 M10 Nut M10	1	
21	205100030011	上连杆叉头 Yoke	1	
22	300050040056	销轴 B8×30 Pin B8×30	2	
23	205100100057	微动软轴 Soft shaft	1	
24	300050040078	销轴 B8×25 Pin B8×25	1	
25	300010040173	螺栓M8×20 Bolt M8×20	2	
26	205100020296	支架 Stent	1	
27	205100430088	轴 Shaft	1	
28	205100010005	隔套 Bushing	1	
29	205100130033	制动连杆 Connecting set	1	
30	205100090013	垫片 Gasket	2	

图2 制动微动踏板总成
Fig.2 Brake and inching pedal assy

Ⓔ CPCD40/45-XRW34 Ⓕ CPCD50-XRXW34 Ⓖ CPCD40/45-XRW35 Ⓖ CPCD50-XRXW35
Ⓘ CPCD40/45-XRW76 Ⓙ CPCD50-XRXW76 Ⓚ CPQYD40/45-XRW57 Ⓛ CPQYD50-XRXW57



序号 Item	物料码 Part No.	名称 Description	数量 Qty	备注或适用车型 Remarks or Serial No.
31	300060030013	挡圈28 Snap ring	2	
32	300010060024	螺栓M12×1.25×25 Bolt	4	
33	300030010002	垫圈12 Washer	4	
34	205100080028	底座 Bracket	1	
35	205100160010	锁销 1.6B Pin 1.6B	1	
36	300010040180	螺栓M8×35 Bolt M8×35	2	
37	300050040028	销轴 B6×20 Pin	1	
38	300030040013	垫圈 6 Washer 6	1	
39	300050010015	销 2×12 Pin 2×12	1	

图 2-A 液压助力制动总成
Fig.2-A Hydraulic booster brake assy

Ⓔ CPCD40/45-XRW34 Ⓕ CPCD50-XRXW34 Ⓖ CPCD40/45-XRW35 Ⓖ CPCD50-XRXW35
Ⓖ CPCD40/45-XRW76 Ⓖ CPCD50-XRXW76 Ⓖ CPQYD40/45-XRW57 Ⓖ CPQYD50-XRXW57

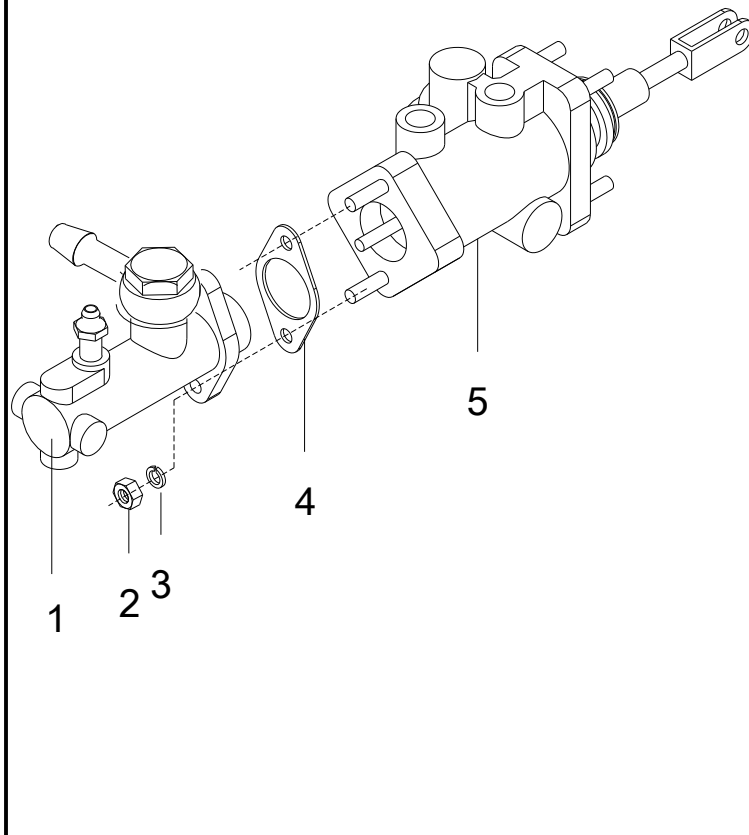
	序号 Item	物料码 Part No.	名称 Description	数量 Qty	备注或适用车型 Remarks or Serial No.
	A1	205100340019	液压助力制动总成 Hydraulic booster brake assy	1	包含/INC:1-5
	1	205100300050	制动总泵 Brake master cylinder assy	1	
	2	300020010016	螺母M8 Nut M8	2	
	3	300030010015	垫圈8 Washer 8	2	
	4	201100040051	垫片 Shim	1	
	5	209990000633	液压助力器 Booster cylinder	1	

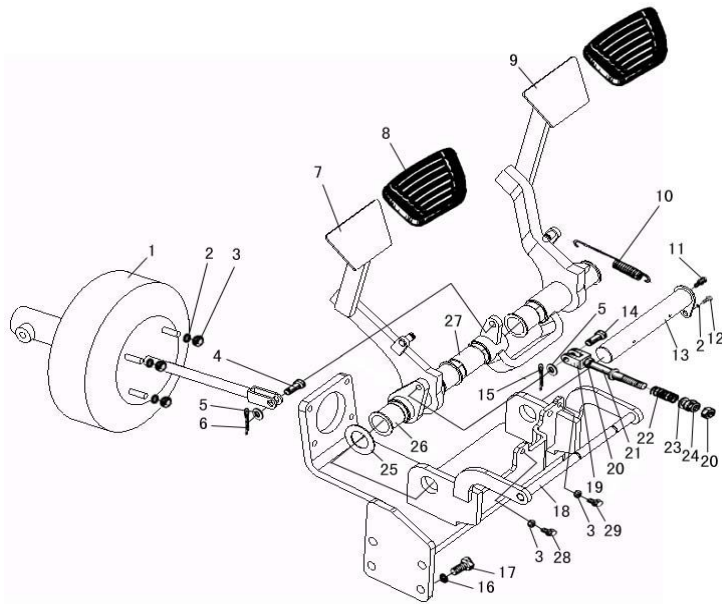
图3 制动离合踏板总成
Fig.3 Brake and clutch pedal assy

Ⓐ1 CPC40/45-XRG76
Ⓒ1 CPC40/45-XRG75

Ⓑ1 CPC50-XRXG76
Ⓓ1 CPC50-XRXG75

Ⓜ1 CPC40/45-XRG73
Ⓝ1 CPC50-XRXG73

机械叉车
Mechanical forklift



序号 Item	物料码 Part No.	名称 Description	数量 Qty	备注或适用车型 Remarks or Serial No.
1	205100340010	真空助力器主缸总成 Vacuum booster and cylinder assy	1	
2	300030010015	垫圈8 Washer	5	
3	300020010016	螺母M8 Nut	6	
4	300050040002	销轴B10×24 Pin	1	
5	300030040002	垫圈10 Washer	2	
6	205100160013	锁销1.8B Pin	1	
7	205100170024	离合踏板 Clutch pedal	1	<2018-12-26 4.0t-4.5t
7	205100260148	离合踏板 Clutch pedal	1	≥2018-12-26 4.0t-4.5t
7	205100170027	离合踏板 Clutch pedal	1	X5t
8	205100180001	踏板垫 Pedal pad	2	
9	205100170047	制动踏板 Brake pedal	1	
10	205100050015	弹簧 Spring	2	
11	205100370004	油杯 Grease cup assy	1	
12	300010040169	螺栓M8×16 Bolt	1	
13	205100430117	销轴 Shaft	1	

图3 制动离合踏板总成
Fig.3 Brake and clutch pedal assy

Ⓐ1 CPC40/45-XRG76

Ⓑ1 CPC50-XRXG76

Ⓒ1 CPC40/45-XRG73

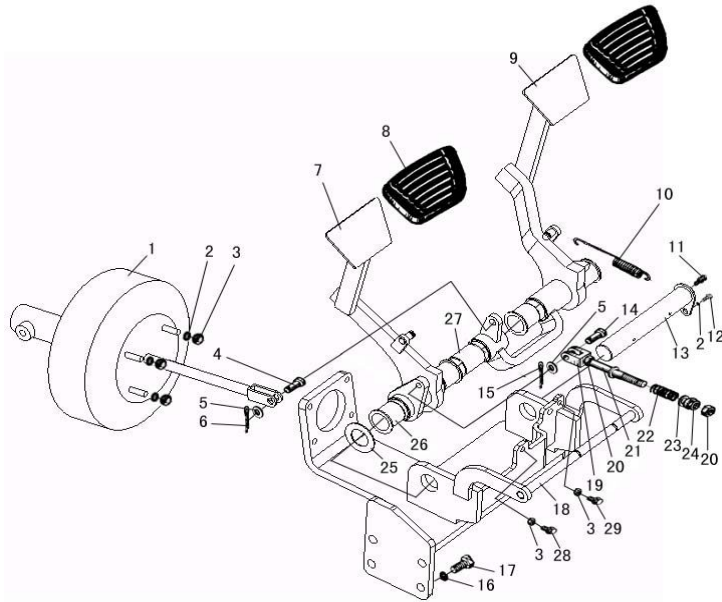
机械叉车

Ⓒ1 CPC40/45-XRG75

Ⓑ1 CPC50-XRXG75

Ⓒ1 CPC50-XRXG73

Mechanical forklift



序号 Item	物料码 Part No.	名称 Description	数量 Qty	备注或适用车型 Remarks or Serial No.
14	300050040019	销轴B10×32 Pin	1	
15	300050010030	销3.2×25 Pin	1	
16	300030010002	垫圈12 Washer	4	
17	300010060024	螺栓M12×1.25×25 Bolt	4	
18	205100080011	底座 Bracket	1	
19	205100030002	叉头 Yoke	1	
20	300020020002	螺母M10×1 Nut	2	
21	205100130019	拉杆 Rod	1	
22	205100050019	压缩弹簧 Spring	1	
23	300030020009	垫圈10 Washer	1	
24	310020050009	球形螺母 Spherical nut	1	
25	205100090012	垫片 Gasket	1	
26	205100320020	套 Bushing	1	
27	205100320007	套 Bushing	4	
28	300010040187	螺栓M8×60 Bolt	1	

图3 制动离合踏板总成
Fig.3 Brake and clutch pedal assy

A1 CPC40/45-XRG76
C1 CPC40/45-XRG75

B1 CPC50-XRXG76
D1 CPC50-XRXG75

M1 CPC40/45-XRG73
N1 CPC50-XRXG73

机械叉车
Mechanical forklift

序号 Item	物料码 Part No.	名称 Description	数量 Qty	备注或适用车型 Remarks or Serial No.
29	300010040183	螺栓M8×40 Bolt	1	

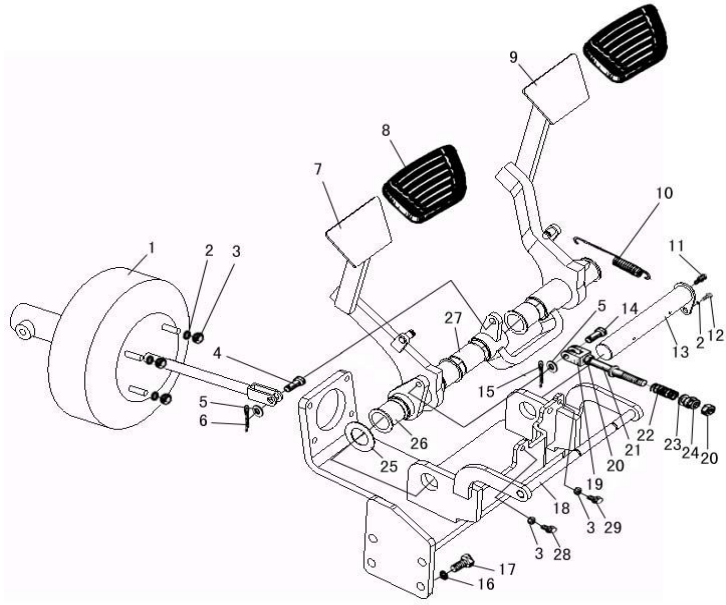


图 4 油门操纵总成
Fig.4 Throttle control assy

除外 Except (E) (F) (G) (H)

序号 Item	物料码 Part NO.	名称 Description	数量 Qty	备注或适用车型 Remarks Or Serial NO.
1	207900310005	电子油门踏板 Accelerator pedal	1	
2	300010040169	螺栓M8×16 Bolt M8×16	3	
3	300030010015	垫圈 8 Washer 8	3	

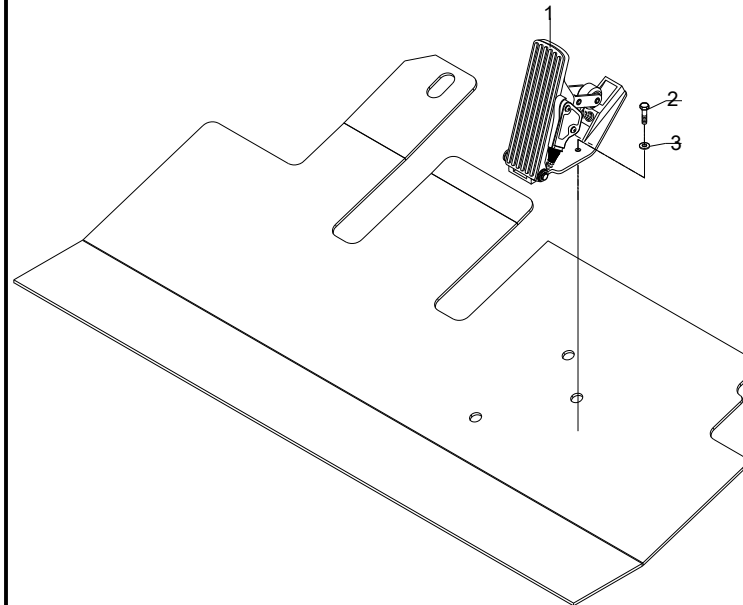


图5 油门操纵总成
Fig.5 Throttle control assy

Ⓔ CPCD40/45-XRW34 Ⓕ CPCD50-XRXW34 Ⓖ CPCD40/45-XRW35 Ⓖ CPCD50-XRXW35
Ⓘ CPCD40/45-XRW76 Ⓙ CPCD50-XRXW76

序号 Item	物料码 Part NO.	名称 Description	数量 Qty	备注或适用车型 Remarks or Serial NO.
1	205200080017	油门踏板 Throttle pedal	1	
2	300060060004	挡圈 6 Snap ring 6	1	
3	205200180014	支架 Support	1	
4	300010040148	螺栓 M6×16 Bolt M6×16	2	
5	300030010014	垫圈 6 Washer 6	6	Ⓔ Ⓕ Ⓖ Ⓖ
5	300030010014	垫圈 6 Washer 6	3	Ⓘ Ⓙ
6	205200200021	销轴 Shaft	1	
7	300010040169	螺栓 M8×16 Bolt M8×16	2	
8	300030010015	垫圈 8 Washer 8	2	
9	300050040027	销轴 B6×16 Pin shaft B6×16	1	
10	300050010015	销 2×12 Pin 2×12	1	
11	205200050009	连杆 Rod	1	
12	205200110005	限位螺栓 Thrust bolt	1	
13	300020010016	螺母 M8 Nut M8	1	
14	300020010005	螺母 M6 Nut M6	5	Ⓔ Ⓕ Ⓖ Ⓖ

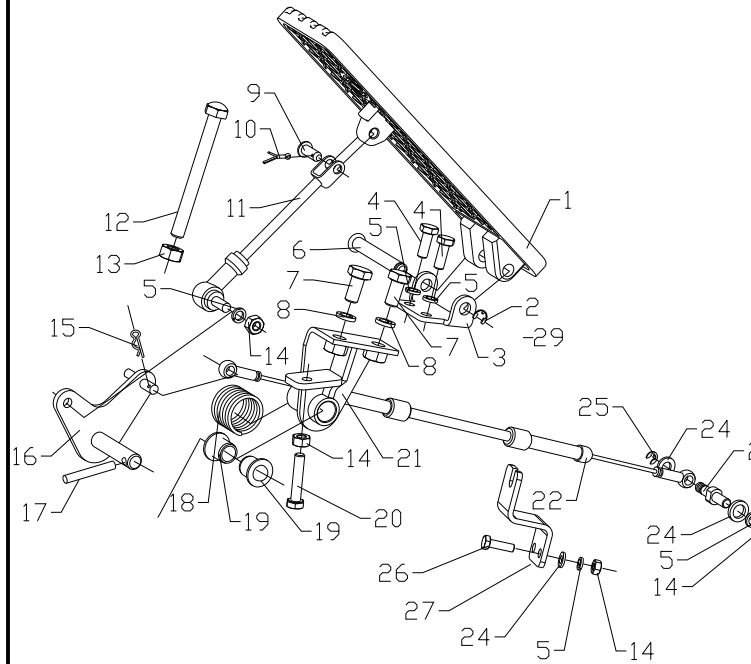


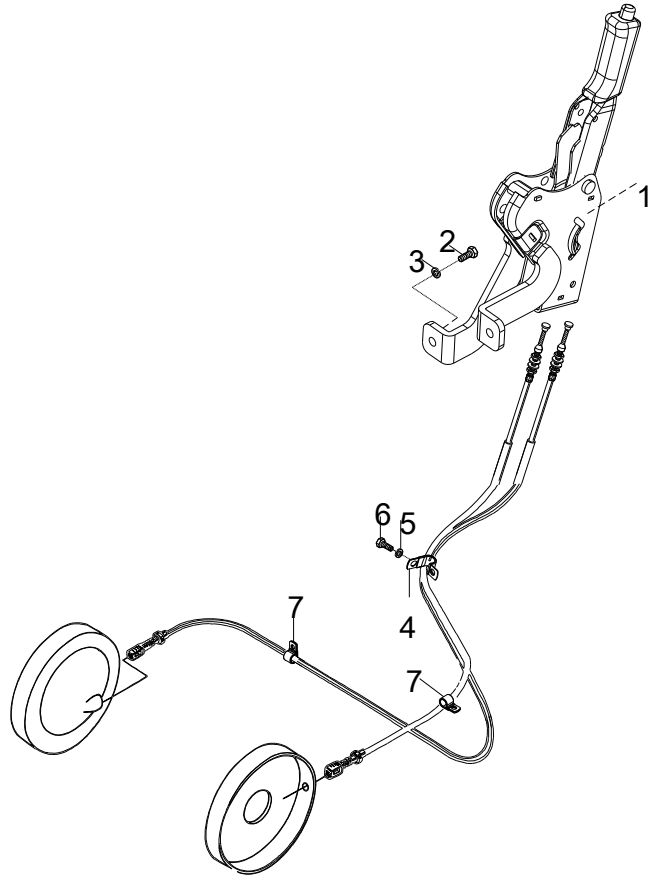
图5 油门操纵总成
Fig.5 Throttle control assy

Ⓔ CPCD40/45-XRW34 Ⓕ CPCD50-XRXW34 Ⓖ CPCD40/45-XRW35 Ⓖ CPCD50-XRXW35
Ⓖ CPCD40/45-XRW76 Ⓖ CPCD50-XRXW76

序号 Item	物料码 Part NO.	名称 Description	数量 Qty	备注或适用车型 Remarks Or Serial NO.
				Ⓖ Ⓖ
14	300020010005	螺母 M6 Nut M6	2	Ⓖ Ⓖ
15	205200070001	锁销 6 Pin 6	1	
16	205200120010	摇臂 Rod arm	1	
17	300050090025	销 5×40 Pin 5×40	1	
18	205200060002	扭簧 Spring	1	
19	205200010002	衬套 Bushing	2	
20	300010040155	螺栓 M6×30 Bolt M6×30	1	
21	205200020126	支架 Support	1	
22	205200140034	油门拉线 Throttle line	1	Ⓔ Ⓕ Ⓖ Ⓖ
22	205200140039	油门拉线 Throttle line	1	Ⓖ Ⓖ
23	205200040012	拉线挂销 Pin	1	Ⓔ Ⓕ Ⓖ Ⓖ
24	300030040013	垫圈 6 Washer 6	4	Ⓔ Ⓕ Ⓖ Ⓖ
25	300060060007	挡圈 4 Snap ring 4	1	Ⓔ Ⓕ Ⓖ Ⓖ
26	300010040151	螺栓 M6×20 Bolt M6×20	2	Ⓔ Ⓕ Ⓖ Ⓖ
27	205200180009	油门支架 Accelerator bracket	1	Ⓔ Ⓕ Ⓖ Ⓖ

图 6 手制动操纵总成
Fig.6 Hand brake control assy

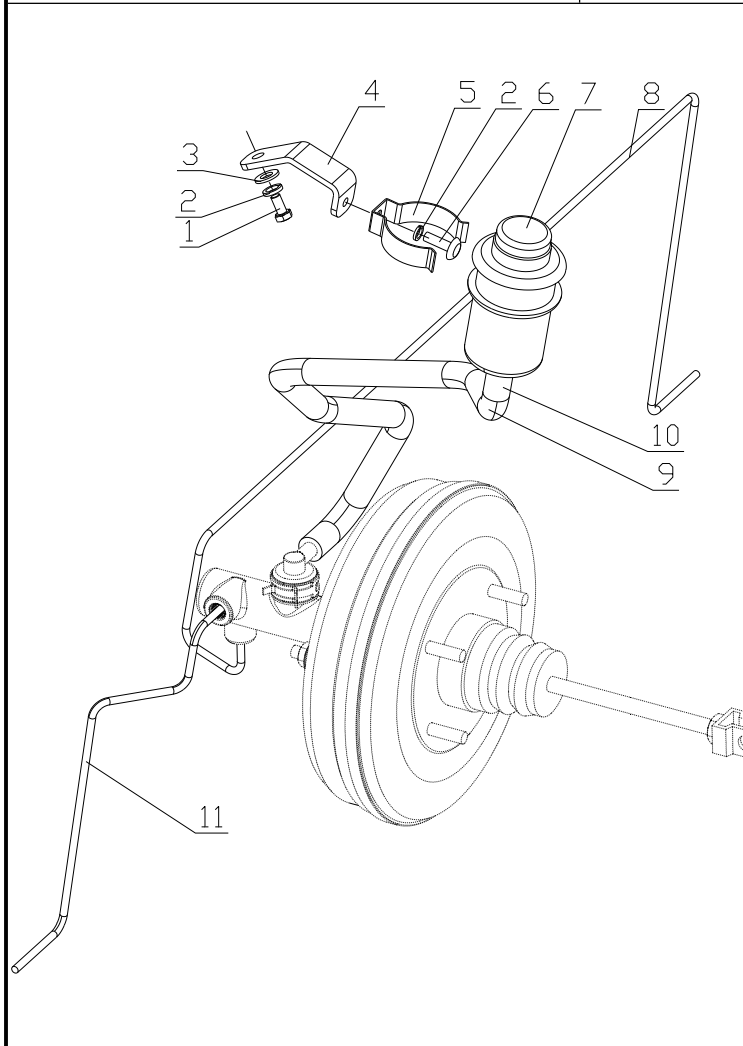
全部车型
All models of truck



序号 Item	物料码 Part NO.	名称 Description	数量 Qty	备注或适用车型 Remarks or Serial NO.
1	205500020015	驻车制动器总成 Device assy-parking brake control	1	
2	300010040005	螺栓 M10×20 Bolt M10×20	2	
3	300030010001	垫圈 10 Washer 10	2	
4	310040010071	管夹 Clip	1	
5	300030010015	垫圈 8 Washer 8	1	
6	300010040169	螺栓 M8×16 Bolt M8×16	1	
7	310040010074	管夹 Clip	2	

图 7 制动油管总成
Fig.7 Brake oil pipe assy

Ⓐ CPCD40/45-XRG76 Ⓑ CPCD50-XRXG76 Ⓒ CPCD40/45-XRG75 Ⓓ CPCD50-XRXG75
 Ⓜ CPCD40/45-XRG73 Ⓝ CPCD50-XRXG73 Ⓔ CPCD40/45-XRG93 Ⓟ CPCD50-XRG93



序号 Item	物料码 Part NO.	名称 Description	数量 Qty	备注或适用车型 Remarks Or Serial NO.
1	300010040148	螺栓M6×16 Bolt M6×16	1	
2	300030010014	垫圈 6 Washer 6	2	
3	300030040013	垫圈6 Washer 6	1	
4	206300240086	支架 Bracket	1	
5	205100360003	支架 Bracket	1	
6	300040070012	螺钉M6×12 Screw M6×12	1	
7	205100370022	油杯 Oil cup	1	
8	206300230150	右制动油管 Brake oil pipe	1	
9	206300070662	制动胶管 Hose	1	
10	209990000505	双钢丝式环箍19 Clamp 19	2	
11	206300230178	左制动油管 Brake oil pipe	1	

第六部分 液压系统目录

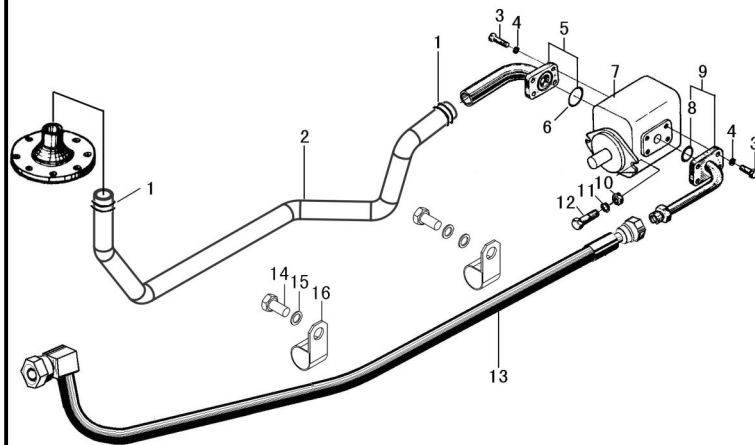
Part VI Hydraulic system contents

Ⓐ CPCD40/45-XRG76	Ⓑ CPCD50-XRXG76	Ⓐ ¹ CPC40/45-XRG76	Ⓑ ¹ CPC50-XRXG76
Ⓒ CPCD40/45-XRG75	Ⓓ CPCD50-XRXG75	Ⓒ ¹ CPC40/45-XRG75	Ⓓ ¹ CPC50-XRXG75
Ⓔ CPCD40/45-XRW34	Ⓕ CPCD50-XRXW34	Ⓔ CPCD40/45-XRW35	Ⓕ CPCD50-XRXW35
Ⓘ CPCD40/45-XRW76	Ⓝ CPCD50-XRXW76	Ⓚ CPQYD40/45-XRW57	Ⓛ CPQYD50-XRXW57
Ⓜ CPCD40/45-XRG73	Ⓜ ¹ CPC40/45-XRG73	Ⓝ CPCD50-XRXG73	Ⓝ ¹ CPC50-XRXG73

序号 Item	名称 Description	适用车型 Serial No.	页码 Page
图 1 Fig. 1	油泵总成 Oil pump assy	Ⓐ Ⓑ Ⓐ ¹ Ⓑ ¹ Ⓒ Ⓓ Ⓒ ¹ Ⓓ ¹ Ⓔ Ⓕ Ⓔ Ⓕ Ⓚ Ⓛ	6-1
图 2 Fig. 2	油泵总成 Oil pump assy	Ⓜ Ⓜ ¹ Ⓝ Ⓝ ¹	6-3
图 4 Fig. 4	转向管路 Steering oil pipe	全部车型 All model of truck	6-5
图 5 Fig. 5	回油滤油总成 Strainer assy	全部车型 All model of truck	6-8
图 6 Fig.6	液压油箱附件 Hydraulic tank accessory	全部车型 All model of truck	6-9
图 7 Fig.7	多路阀操纵 Multi-way valve control	全部车型 All model of truck	6-10
图 8 Fig.8	多路阀总成 Multi-way valve assy	全部车型 All model of truck	6-12
图 9 Fig.9	倾斜管路 Tilting oil pipe	全部车型 All model of truck	6-14
图 10 Fig. 10	助力器油路 Booster oil circuit	Ⓔ Ⓕ Ⓔ Ⓕ Ⓚ Ⓛ	6-15

图1 油泵总成
Fig.1 Pump assy

(A) CPCD40/45-XRG76 (B) CPCD50-XRXG76 (A) CPC40/45-XRG76 (B) CPC50-XRXG76
 (C) CPCD40/45-XRG75 (D) CPCD50-XRXG75 (C) CPC40/45-XRG75 (D) CPC50-XRXG75
 (E) CPCD40/45-XRW34 (F) CPCD50-XRW34 (G) CPCD40/45-XRW35 (H) CPCD50-XRW35
 (I) CPCD40/45-XRW76 (J) CPCD50-XRW76 (K) CPQYD40/45-XRW57 (L) CPQYD50-XRW57



序号 Item	物料码 Part No.	名称 Description	数量 Qty	备注或适用车型 Remarks or Serial No.
1	209990000523	双钢丝式环箍 52 Clamp 52	2	
2	206300071187	吸油管 Suction hose	1	
3	300010040009	螺栓 M10×25 Bolt M10×25	8	
4	300030010001	垫圈 10 Washer 10	8	
5	206100130007	吸油法兰总成 Suction flange assy	1	
6	300130010082	O形密封圈 45×3.5 O-ring 45×3.5	1	
7	206100070078	齿轮泵 Gear pump	1	
8	300130010104	O形密封圈 35×3.1 O-ring 35×3.1	1	
9	206100130002	出油法兰总成 Outlet flange assy	1	
9	206100130004	出油法兰总成 Outlet flange assy	1	
10	300020010004	螺母 M12 Nut M12	2	
11	300030010002	垫圈 12 Washer 12	2	
12	300010030038	螺栓 M12×45 Bolt M12×45	2	
13	206300082045	胶管总成 Hose assy	1	
14	300010040169	螺栓 M8×16 Bolt M8×16	2	

图2 油泵总成
Fig.2 Pump assy

Ⓜ CPCD40/45-XRG73 Ⓜ1 CPC40/45-XRG73 Ⓝ CPCD50-XRXG73 Ⓝ1 CPC50-XRXG73

序号 Item	物料码 Part No.	名称 Description	数量 Qty	备注或适用车型 Remarks or Serial No.
1	209990000523	双钢丝式环箍 52 Clamp 52	2	
2	206300071251	吸油管 Suction hose	1	
3	300010040009	螺栓 M10×25 Bolt M10×25	8	
4	300030010001	垫圈 10 Washer 10	8	
5	206100130059	吸油法兰总成 Suction flange assy	1	
6	G001235-004503P5-00	O 形密封圈 45×3.5 O-ring 45×3.5	1	
7	206100070172	齿轮泵 Gear pump	1	
8	300130010104	O 形密封圈 35×3.1 O-ring 35×3.1	1	
9	206100130039	出油法兰总成 Outlet flange assy	1	
10	300020010004	螺母 M12 Nut M12	2	
11	300030010002	垫圈 12 Washer 12	2	
12	300010030038	螺栓 M12×45 Bolt M12×45	2	
13	206300082280	胶管总成 Rubber pipe assy	1	
14	310040010003	抱箍 Clip	2	
15	300030010015	垫圈 8 Washer 8	2	

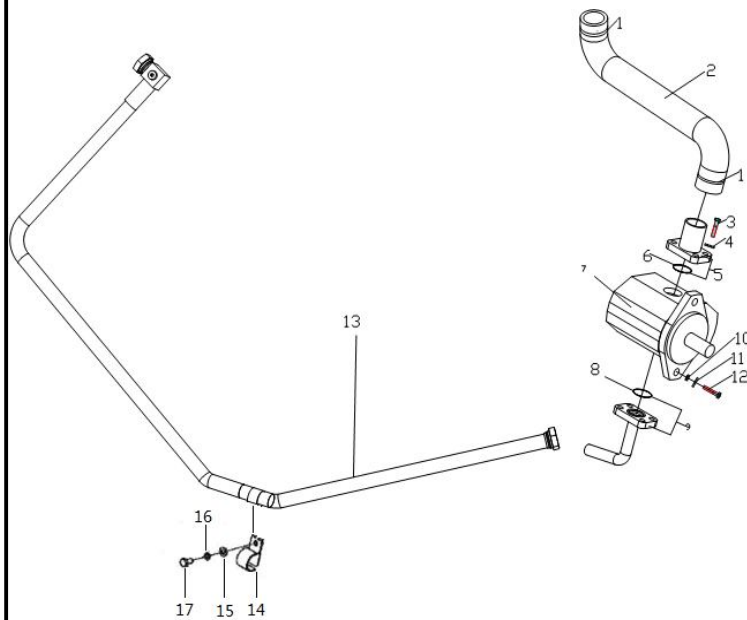


图4 转向管路
Fig. 4 Steering oil pipe

全部车型
All model of truck

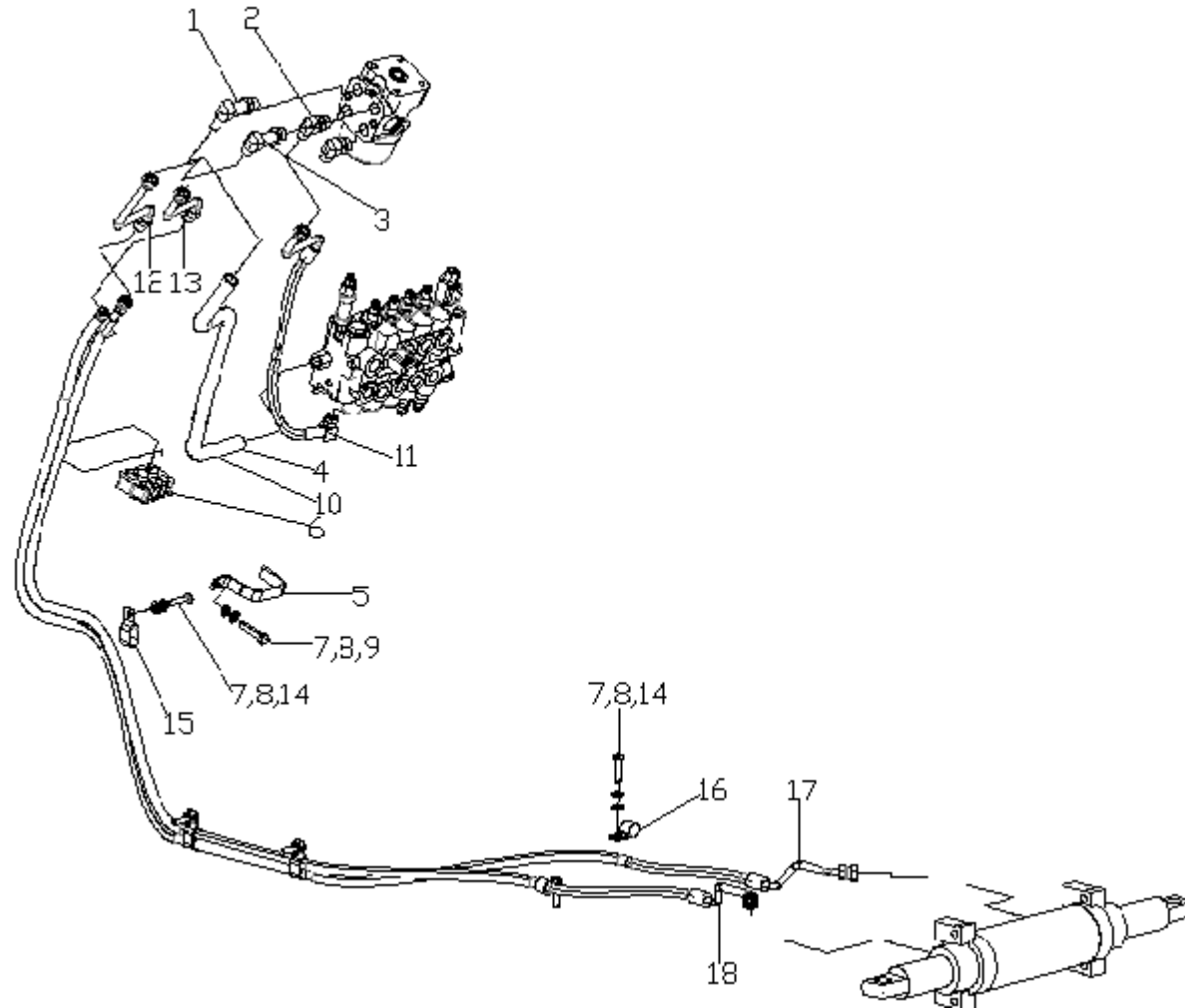
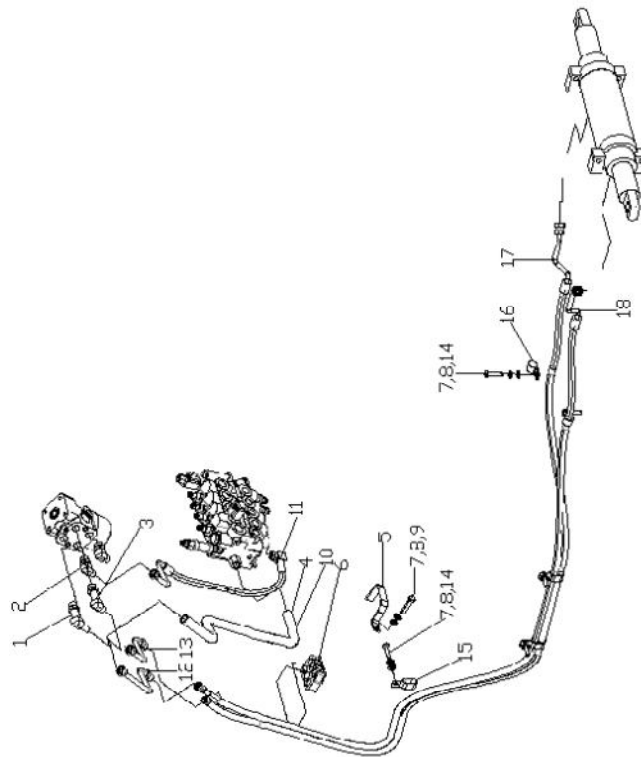


图4 转向管路
Fig. 4 Steering oil pipe

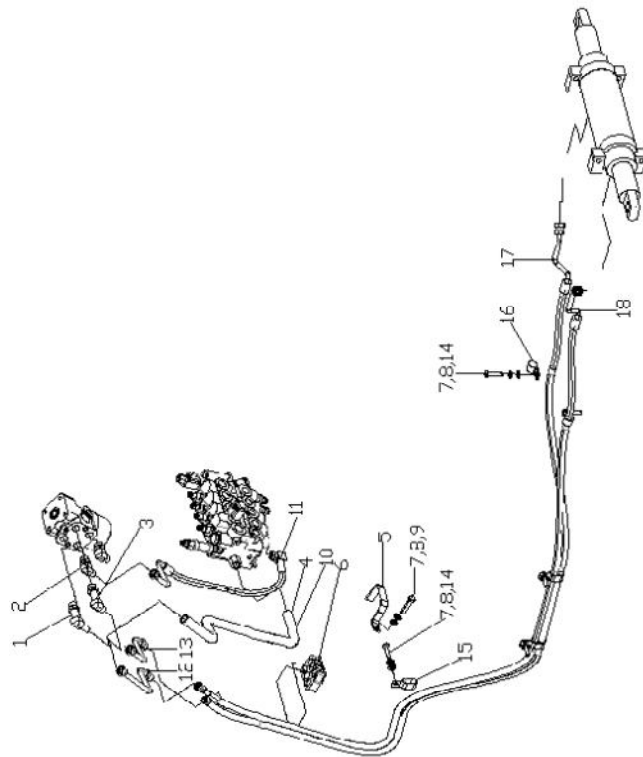
全部车型
All model of truck



序号 Item	代号 Part No.	名称 Description	数量 Qty	备注或适用车型 Remarks or Serial No.
1	206300220126	回油接头 Connector	1	
2	310050030014	90° 度管接头 Connector	2	
3	310050030043	90° 度管接头 Connector	1	
4	209990000508	双钢丝式环箍 24 Clamp 24	2	
5	206500250166	压板 Clamp	1	
6	206300050033	橡胶固定块 Rubber block	1	
7	300030010015	垫圈 8 Washer 8	6	
8	300030040014	垫圈 8 Washer 8	6	
9	300010040177	螺栓 M8×25 Bolt M8×25	1	
10	209990004080	低压胶管 Low pressure hose	1	
11	206300071283	胶管总成 Rubber pipe assy	1	剩余车型 Remaining models
11	206300082310	胶管总成 Rubber pipe assy	1	Ⓔ Ⓕ Ⓖ Ⓕ Ⓖ Ⓖ Ⓖ
12	206500140025	硬管总成 Rubber pipe assy	1	
13	206500140024	硬管总成 Rubber pipe assy	1	
14	300010040170	螺栓 M8×16 Bolt M8×16	5	

图4 转向管路
Fig. 4 Steering oil pipe

全部车型
All model of truck



序号 Item	代号 Part No.	名称 Description	数量 Qty	备注或适用车型 Remarks or Serial No.
15	310060020011	抱箍 Clamp	2	
16	310040010072	管夹 Clamp	2	
17	209990004335	胶管总成 Rubber pipe assy	1	
18	209990004336	胶管总成 Rubber pipe assy	1	

图 5 回油滤油总成
Fig.5 Strainer assy

全部车型
All model of truck

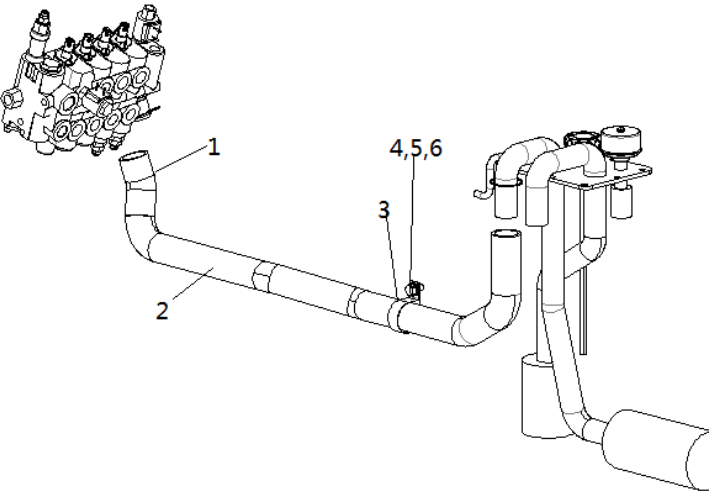
	序号 Item	代号 Part No.	名称 Description	数量 Qty	备注或适用车型 Remarks or Serial No.
	1	209990000523	双钢丝式环箍 52 Clamp 52	2	
	2	206300071252	回油管,二联阀 Hose, 2 Sec. valve	1	C D
	2	206300071253	回油管,三联轴 Hose, 3 Sec. valve	1	C D
	2	206300071254	回油管,四联轴 Hose, 4 Sec. valve	1	C D
	2	206300071247	回油管,二联阀 Hose, 2 Sec. valve	1	剩余车型 Remaining models
	2	206300071246	回油管,三联轴 Hose, 3 Sec. valve	1	剩余车型 Remaining models
	2	206300071245	回油管,四联轴 Hose, 4 Sec. valve	1	剩余车型 Remaining models
	3	310040010106	管夹 Clamp	1	
	4	300010040169	螺栓 M8×16 Bolt M8×16	1	
	5	300030010015	垫圈 8 Washer 8	1	
	6	300030040014	垫圈 8 Washer 8	1	

图6 液压油箱附件
Fig. 6 Hydraulic tank accessory

全部车型
All model of truck

序号 Item	物料码 Part No.	名称 Description	数量 Qty	备注或适用车型 Remarks or Serial No.
1	206500180019	油尺 Oil dipstick	1	
2	206500110011	空气过滤器 Breather filter	1	
3	300010040169	螺栓 M8×16 Bolt M8×16	9	
4	300030140012	垫圈 8 Washer 8	9	
5	206500040160	盖板 Cover plate	1	Ⓐ Ⓑ Ⓐ1 Ⓑ1 Ⓒ1 Ⓓ1 Ⓜ Ⓜ1 Ⓝ1
5	206500040171	盖板 Cover plate	1	Ⓒ Ⓓ
5	206500040161	盖板 Cover plate	1	Ⓔ Ⓕ Ⓖ Ⓕ Ⓖ Ⓖ Ⓖ Ⓖ
6	206500130086	密封垫 Seal pad	1	
7	206500020063	吸油滤油器 Suction filter	1	
8	206500010046	回油滤油器总成 Filter assy	1	
9	203400040002	螺塞 Plug	1	
10	300030140007	垫圈 24 Washer 24	1	
11	203400020001	磁铁 Ring magnetic iron	1	

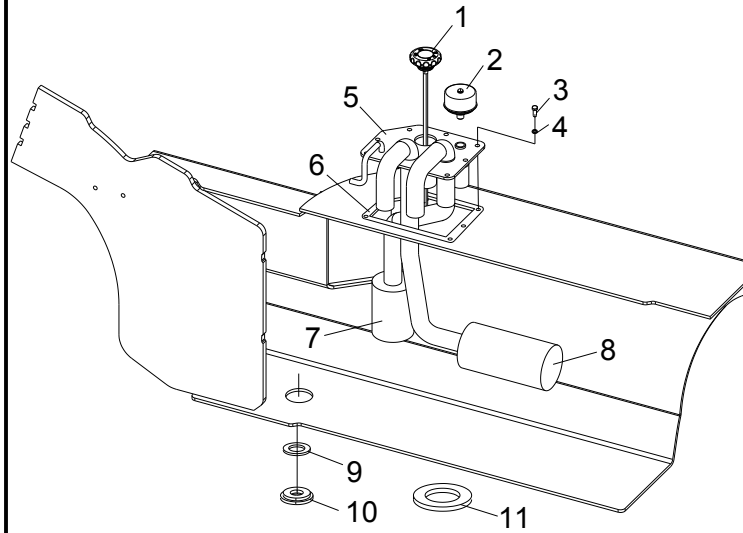
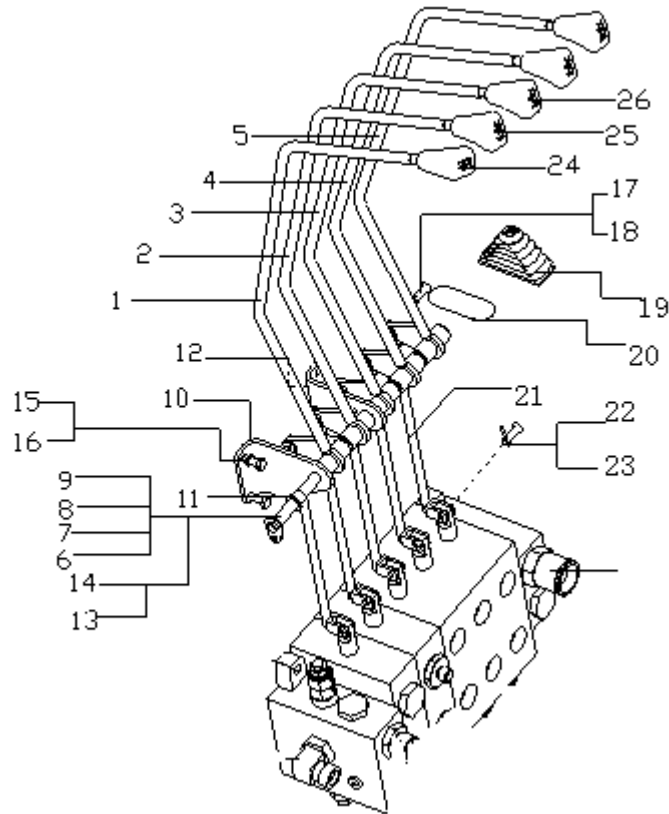


图7 多路阀操纵
Fig. 7 Multi-way valve control

全部车型
All model of truck



序号 Item	代号 Part No.	名称 Description	数量 Qty	备注或适用车型 Remarks or Serial No.
1	206400160133	多路阀操纵手柄 1 Operating handle 1	1	
2	206400160137	多路阀操纵手柄 2 Operating handle 2	1	
3	206400160140	多路阀操纵手柄 3 Operating handle 3	1	三联,四联,五联 3 SEC, 4 SEC, 5 SEC
4	206400160143	多路阀操纵手柄 4 Operating handle 4	1	四联,五联 4 SEC, 5 SEC
6	310100200012	销轴 PIN SHAFT	1	二联用 2 SEC
7	310100200013	销轴 PIN SHAFT	1	三联用 3 SEC
8	310100200011	销轴 PIN SHAFT	1	四联用 4 SEC,
10	206400220159	左支架 Left bracket	1	
11	206400050008	衬套 BUSH	4	三联 6,四联 8,五联 10 3 SEC 6, 4 SEC 8, 5 SEC 10
12	206400220161	右支架 Right bracket	1	
13	300010040145	螺栓 M6×12 Bolt M6×12	1	
14	300030010014	垫圈 6 Washer 6	1	
15	300010070025	螺栓 M8×20 Bolt M8×20	4	
16	206400200004	轴环 Shaft collar	1	仅二联阀用 Only for 2 SEC
17	206400050008	衬套 Bush	4	三联 6 ,3 SEC 6 四联 8, 4 SEC 8

图8 多路阀总成
Fig.8 Multi-way valve assy

全部车型
All models of truck

序号 Item	物料码 Part NO.	名称 Description	数量 Qty	备注或适用车型 Remarks Or Serial NO.
1	206200010052	多路阀 Valve	1	
1	206200010059	二联多路阀 2 Sec. valve	1	
1	206200010066	三联多路阀 3 Sec. valve	1	
2	300130010164	O形密封圈 19×2.4 O-ring	1	
3	310050020702	接头体 Connector	1	
4	206100040002	缓冲垫 Amortizing cushion	8	
5	206400180008	套管 Thimble	4	
6	300030040003	垫圈 12 Washer	4	
7	300010030042	螺栓 M12×65 Bolt	4	
8	300030010002	垫圈 12 Washer	4	
9	300020010004	螺母 M12 Nut	4	
10	300130010117	O形密封圈 35×3.5 O-ring	1	
11	206500100011	管接头 Connector	3	
12	310050020854	直通管接头 Nipple	2	三联 4、四联 6 3 SEC4, 4 SEC 6
13	300130010127	O形密封圈 32×3.5 O-ring	4	三联 6、四联 8 3 SEC6, 4 SEC 8

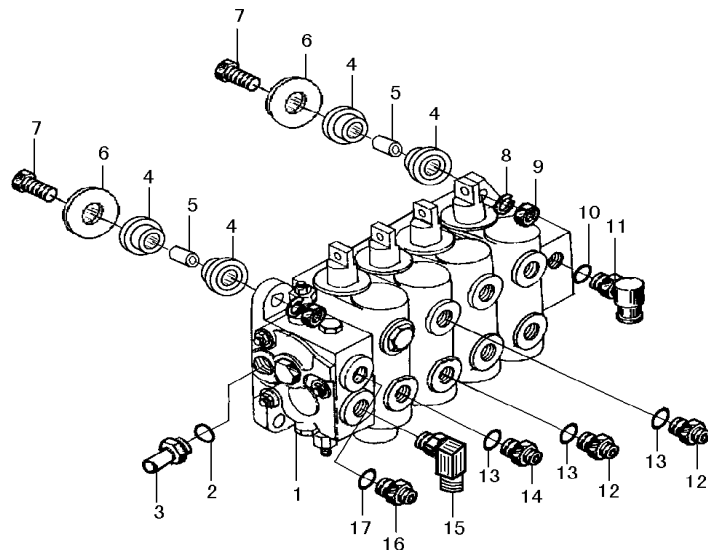


图9 倾斜管路
Fig.9 Tilting oil pipe

全部车型
All models of truck

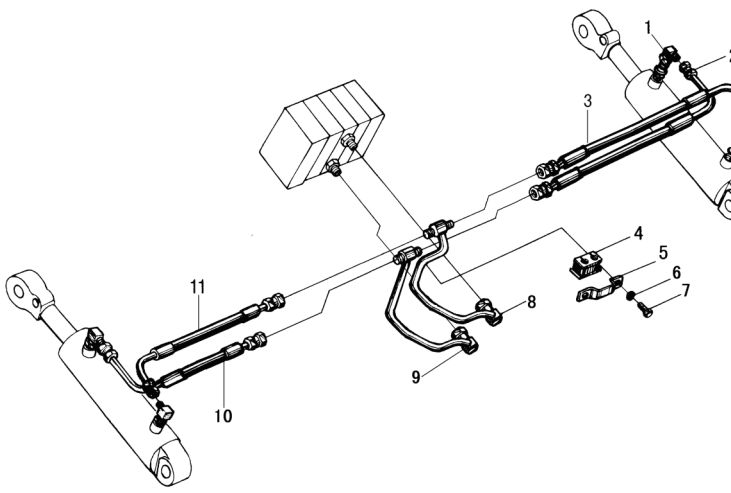
	序号 Item	物料码 Part NO.	名称 Description	数量 Qty	备注或适用车型 Remarks Or Serial NO.
	1	310050030013	90 度管接头 Elbow	4	
	2	206300082313	胶管总成 Rubber pipe assy	1	
	3	206300082316	胶管总成 Rubber pipe assy	1	
	4	206300050006	橡胶固定块 Insulator	1	
	5	206300050003	固定夹 Clamp	1	
	6	300030010015	垫圈 8 Washer	2	
	7	300010040169	螺栓 M8×16 Bolt	2	
	8	206300100105	倾斜钢管 2 Steal pipe	1	
	9	206300100104	倾斜钢管 1 Steal pipe	1	
	10	206300082315	胶管总成 Rubber pipe assy	1	
	11	206300082314	胶管总成 Rubber pipe assy	1	

图 10 助力器油路
Fig.10 Booster oil circuit

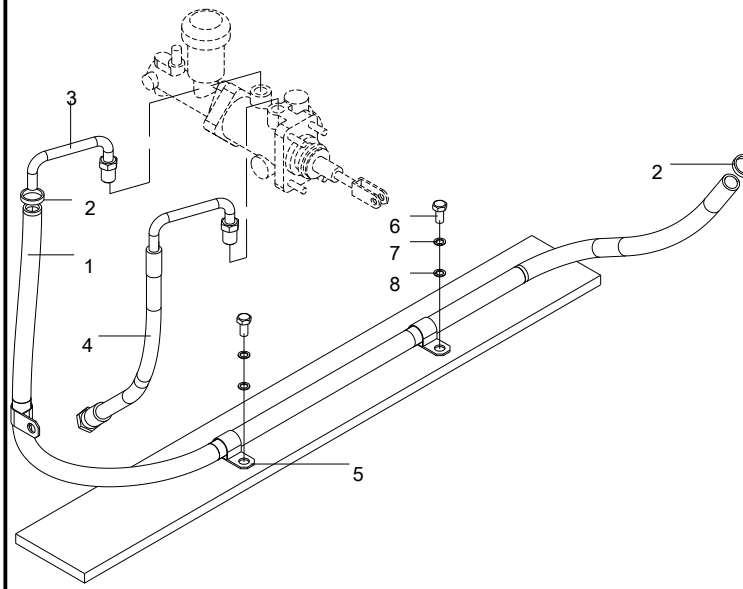
Ⓔ CPCD40/45-XRW34
ⓐ CPCD40/45-XRW76

Ⓕ CPCD50-XRXW34
ⓑ CPCD50-XRXW76

Ⓖ CPCD40/45-XRW35
ⓓ CPQYD40/45-XRW57

Ⓖ CPCD50-XRXW35
ⓔ CPQYD50-XRXW57

序号 Item	物料码 Part No.	名称 Description	数量 Qty	备注或适用车型 Remarks or Serial No.
1	209990004050	低压胶管 Low pressure hose	1	
1	209990004069	低压胶管 Low pressure hose	1	
2	209990000495	双钢丝式环箍18 Clamp 18	2	
3	206300120052	硬管总成 Hard pipe assy	1	
4	206300082051	胶管总成 Hose	1	
4	206300082193	胶管总成 Hose	1	
5	310040010072	管夹 Clip	3	
6	300010040169	螺栓 M8×16 Bolt M8×16	3	
7	300030010015	垫圈 8 Washer 8	3	
8	300030040014	垫圈 8 Washer 8	3	



第七部分 电气系统目录
PART VII Electrical system contents

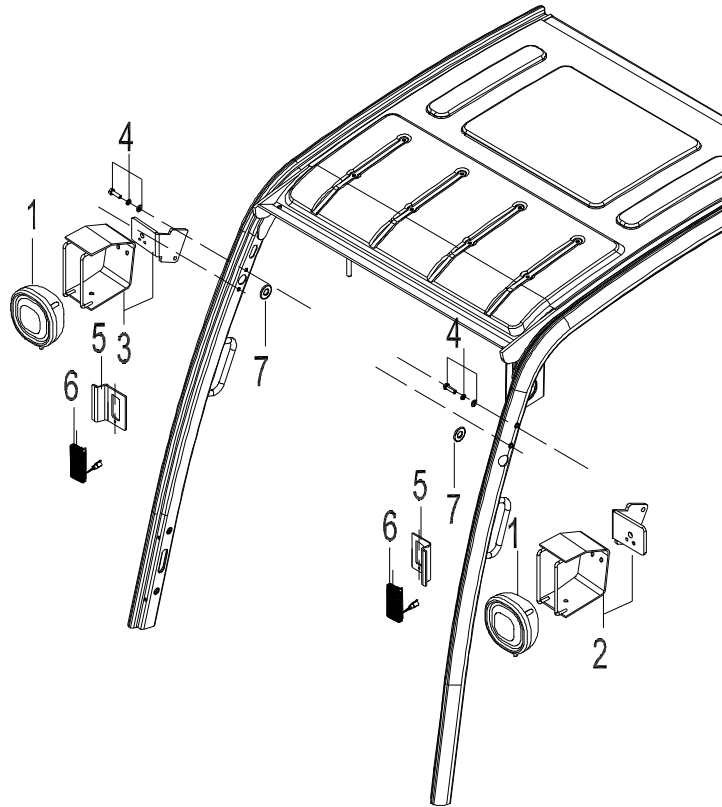
- | | | | |
|-------------------|-------------------|--------------------|------------------|
| Ⓐ CPCD40/45-XRG76 | Ⓑ CPCD50-XRXG76 | Ⓐ1 CPC40/45-XRG76 | Ⓐ11 CPC50-XRXG76 |
| Ⓒ CPCD40/45-XRG75 | Ⓓ CPCD50-XRXG75 | Ⓒ1 CPC40/45-XRG75 | Ⓒ11 CPC50-XRXG75 |
| Ⓔ CPCD40/45-XRW34 | Ⓕ CPCD50-XRXW34 | Ⓔ CPCD40/45-XRW35 | Ⓕ CPCD50-XRXW35 |
| Ⓖ CPCD40/45-XRW76 | Ⓙ CPCD50-XRXW76 | Ⓖ CPQYD40/45-XRW57 | Ⓖ CPQYD50-XRXW57 |
| Ⓜ CPCD40/45-XRG73 | Ⓜ1 CPC40/45-XRG73 | Ⓝ CPCD50-XRXG73 | Ⓝ1 CPC50-XRXG73 |
| Ⓞ CPCD40/45-XRG93 | Ⓞ1 CPCD50-XRG93 | | |

序号 Item	名称 Description	适用车型 Serial No.	页码 Page
图 I Fig. I	前灯总成 front lamps assy	全部车型 All models of truck	7-1
图 II Fig. II	后灯总成 rear lamps assy	全部车型 All models of truck	7-2
图 III Fig. III	控制盒总成 Control box assy	Ⓐ Ⓑ Ⓒ Ⓓ Ⓔ Ⓕ Ⓖ Ⓙ	7-3
图 IV Fig. IV	控制盒总成 Control box assy	Ⓚ Ⓛ	7-4
图 V Fig. V	喇叭 Horn	全部车型 All models of truck	7-5
图 VI Fig. VI	组合开关总成 Combination Switch assy	全部车型 All models of truck	7-6
图 VII Fig. VII	仪表总成 Instrument assy	全部车型 All models of truck	7-7
图 VIII Fig. VIII	四卡翘板开关 4-Rocker Switches	全部车型(选配) All models of truck (Optional)	7-8
图 IX Fig. IX	转向灯开关 Steering lamp switch	Ⓐ1 Ⓑ1 Ⓒ1 Ⓓ1 Ⓜ1 Ⓝ1	7-9

序号 Item	名称 Description	适用车型 Serial No.	页码 Page
图 X Fig. X	控制盒总成 Control box assy	Ⓐ1 Ⓑ1 Ⓒ1 Ⓓ1	7-10
图 XI Fig. XI	智能安装模块 Intelligent installation module	全部车型 All models of truck	7-11
图 XII Fig. XII	控制盒总成 Control box assy	Ⓜ1 Ⓝ1	7-12
图 1 Fig. 1	电气系统 Electrical system	Ⓐ Ⓑ	7-13
图 2 Fig. 2	电气系统 Electrical system	Ⓒ Ⓓ	7-17
图 3 Fig. 3	电气系统 Electrical system	Ⓔ Ⓕ Ⓖ Ⓗ	7-21
图 4 Fig.4	电气系统 Electrical system	Ⓚ Ⓛ	7-26
图 5 Fig. 5	电气系统 Electrical system	Ⓐ1 Ⓑ1	7-30
图 6 Fig.6	电气系统 Electrical system	Ⓒ1 Ⓓ1	7-34
图 7 Fig.7	电气系统 Electrical system	Ⓘ Ⓝ	7-38
图 8 Fig.8	电气系统 Electrical system	Ⓜ Ⓝ	7-42
图 9 Fig.9	电气系统 Electrical system	Ⓜ1 Ⓝ1	7-45

图 I 前灯总成
Fig. I Front lamps assy

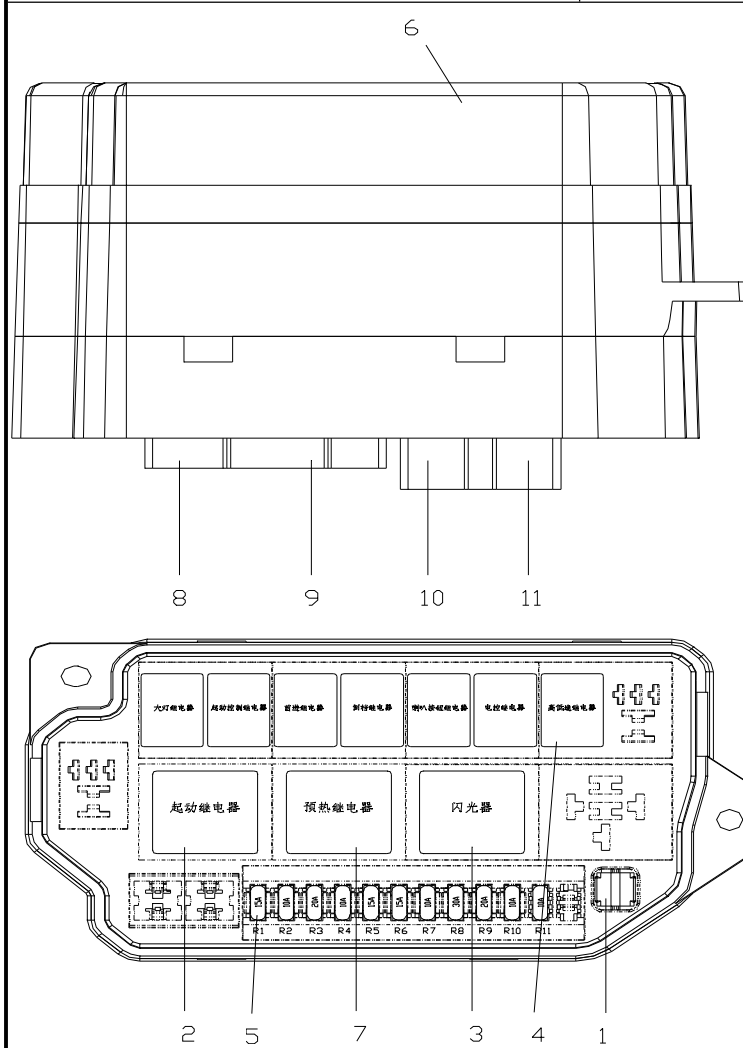
全部车型
All models of truck



序号 Item	物料码 Part NO.	名称 Description	数量 Qty	备注或适用车型 Remarks Or Serial NO.
1	207600010316	前大灯 Front lamps	2	
2	207900210419	左前大灯灯架总成 Left headlight lamp holder assy	1	
3	207900210412	右前大灯灯架总成 Right headlight lamp holder assy	1	
4	300010210001	螺栓组合件 M8×16 Bolt components M8×16	8	
5	207900201256	前小灯支架 Front lamp bracket	2	
6	207600050070	前小灯 24V Front lamp 24V	2	除外 Except (K) (L) (M) (N) (M1) (N1)
6	207600050069	前小灯 12V Front lamp 12V	2	(K) (L) (M) (N) (M1) (N1)
7	207900060011	前灯线护套 Front line sheath	2	

图 III 控制盒总成
Fig.III Control box assy

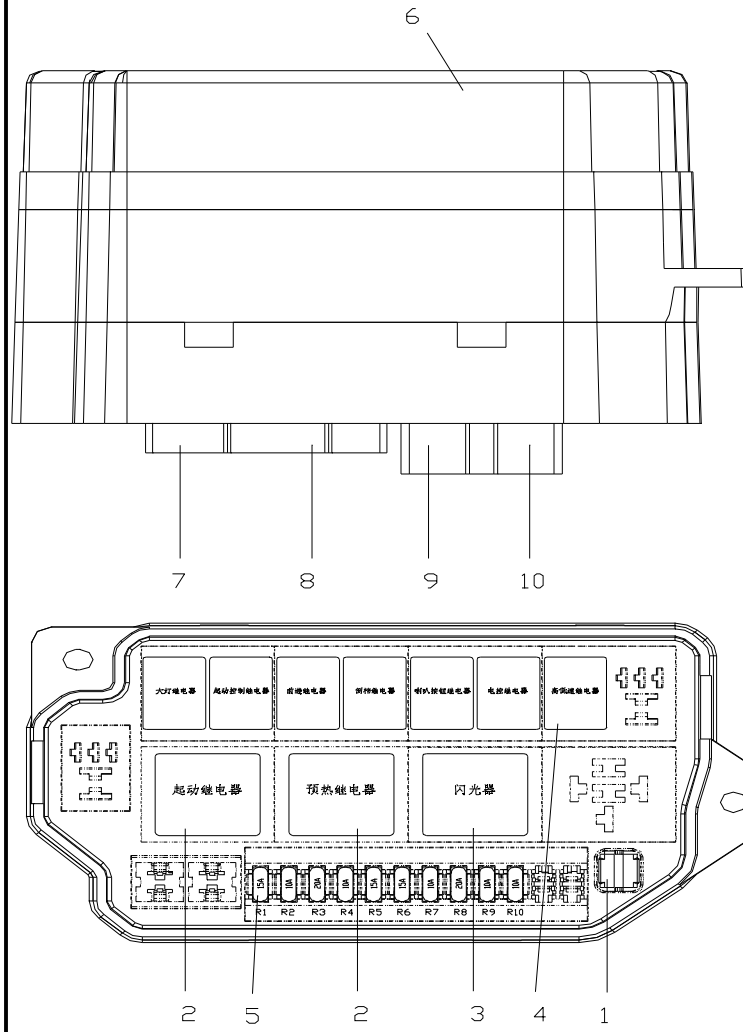
Ⓐ CPCD40/45-XRG76 Ⓑ CPCD50-XRXG76 Ⓒ CPCD40/45-XRG75 Ⓓ CPCD50-XRXG75
Ⓔ CPCD40/45-XRW34 Ⓕ CPCD50-XRXW34 Ⓖ CPCD40/45-XRW35 Ⓖ CPCD50-XRXW35



序号 Item	物料码 Part NO.	名称 Description	数量 Qty	备注或适用车型 Remarks Or Serial NO.
A1	207400010219	控制盒总成 Control box assy	1	
1	207900080058	拔片器 Film drawing device	1	
2	207400030073	预热继电器 Pre-heat Relay	1	
3	207400020008	电子闪光灯 Flasher	1	
4	207400030065	通用继电器 Universal Relay	7	
5	207400040047	保险丝片 Fuse	1	
6	207400070111	控制盒标签 Control box label	1	
7	207400030100	继电器 Relay	1	90A/24V
8	NO PART NO.	十六线复合插头 16-way plug	1	
9	NO PART NO.	十六线复合插头 16-way plug	1	
10	NO PART NO.	七线复合插头 7-way plug	1	
11	NO PART NO.	9.5 二线插头 9.5 2-way plug	1	

图 IV 控制盒总成
Fig. IV Control box assy

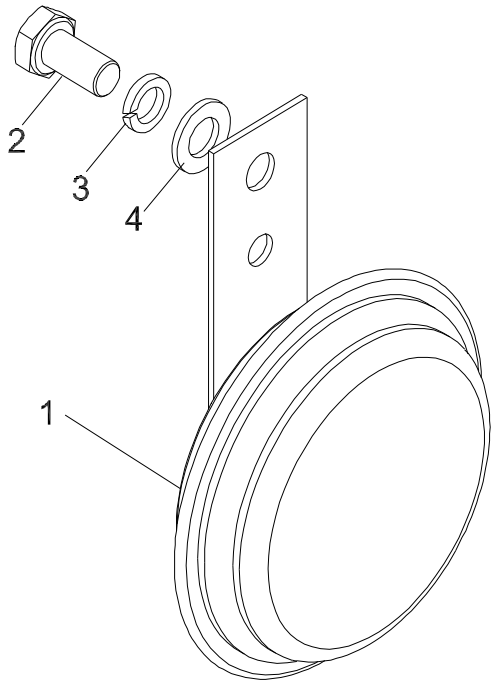
Ⓚ CPQYD40/45-XRW57 Ⓛ CPQYD50-XRXW57



序号 Item	物料码 Part NO.	名称 Description	数量 Qty	备注或适用车型 Remarks Or Serial NO.
A2	207400010220	控制盒总成 Control box assy	1	
1	207900080058	拔片器 Film drawing device	1	
2	207400030073	预热继电器 Pre-heat Relay	2	
3	207400020008	电子闪光器 Flasher	1	
4	207400030065	通用继电器 Universal Relay	7	
5	207400040047	保险丝片 Fuse	1	
6	207400070111	控制盒标签 Control box label	1	
7	NO PART NO.	十六线复合插头 16-way plug	1	
8	NO PART NO.	十六线复合插头 16-way plug	1	
9	NO PART NO.	七线复合插头 7-way plug	1	
10	NO PART NO.	9.5 二线插头 9.5 2-way plug	1	

图V 喇叭
Fig.V Horn

全部车型
All models of truck



序号 Item	物料码 Part NO.	名称 Description	数量 Qty	备注或适用车型 Remarks Or Serial NO.
1	207900130005	电喇叭 24V Horn 24V	1	除外 Except (K) (L) (M) (N) (M1) (N1)
1	207900130006	喇叭 12V Horn 12V	1	(K) (L) (M) (N) (M1) (N1)
2	300010120005	螺栓 M8×16 Bolt M8×16	1	
3	300030010015	弹垫 8 Spring 8	1	
4	300030040014	平垫 8 Washer 8	1	

图Ⅷ 四卡翘板开关
Fig.Ⅷ 4-Rocker Switches

全部车型(选配)
All models of truck (Optional)

序号 Item	物料码 Part NO.	名称 Description	数量 Qty	备注或适用车型 Remarks or Serial NO.
1	207200060062	风扇开关 Switch, Fan	1	
2	207200010038	警灯开关 Switch, Warning light	1	
3	207200010034	后工作灯开关 Switch, Lamp after	1	
4		后除霜开关 Switch, Defrosting after	1	无此零件 Without the parts
5	207900080034	盖板 Cover plate	1	
6	207200060065	前雨刮洗涤器开关 wash switch, Front wiper	1	
7		后雨刮器及洗涤器开关 Rear wiper, wash switch	1	无此零件 Without the parts
8	207200060067	液化气/汽油 开关 LPG/GAS Switch	1	
9	207200060064	前雨刮器开关 Switch, Front wiper	1	

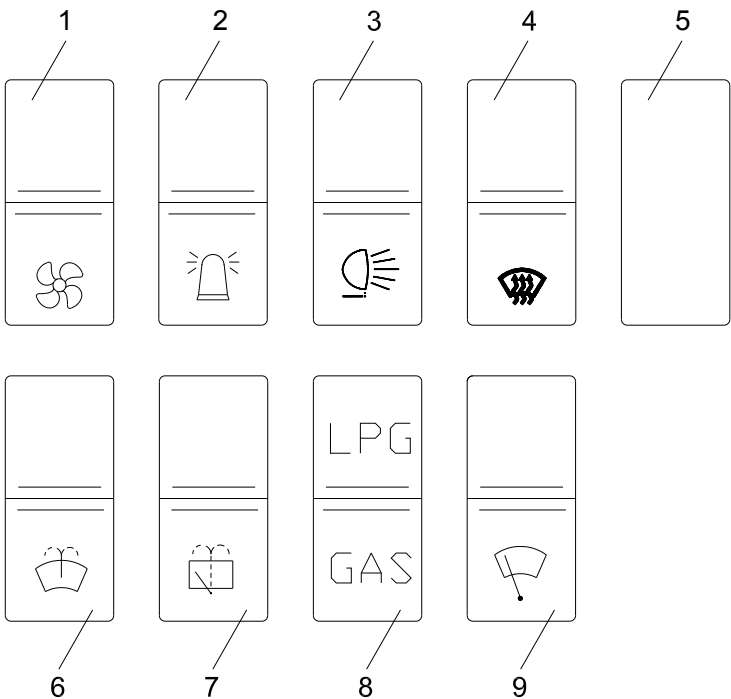


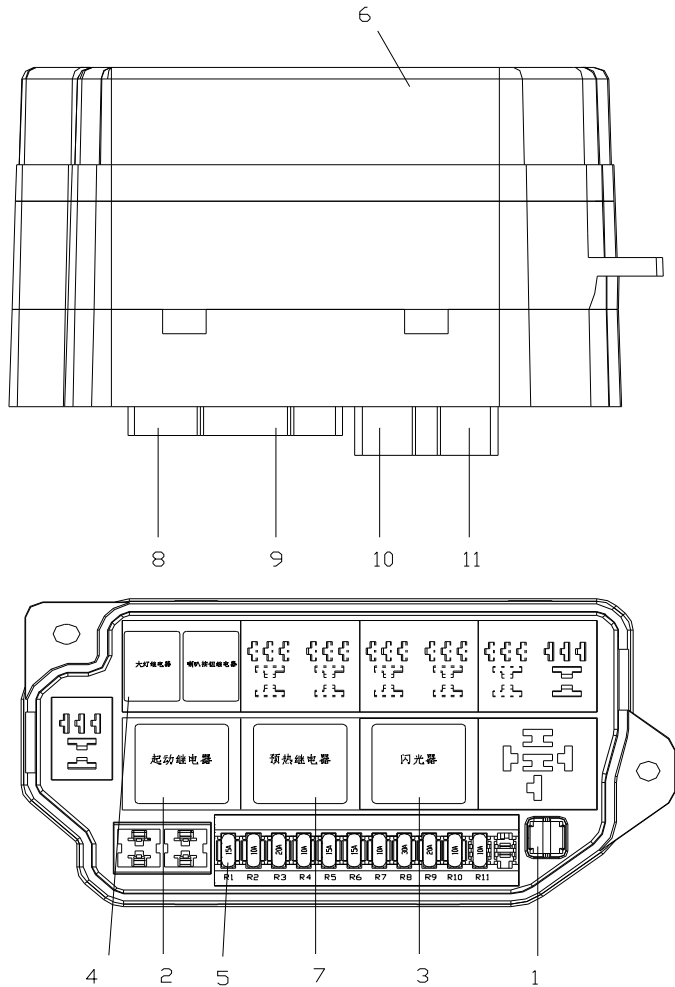
图 X 转向灯开关
Fig. X Steering lamp switch

Ⓐ CPC40/45-XRG76

Ⓑ CPC50-XRXG76

Ⓒ CPC40/45-XRG75

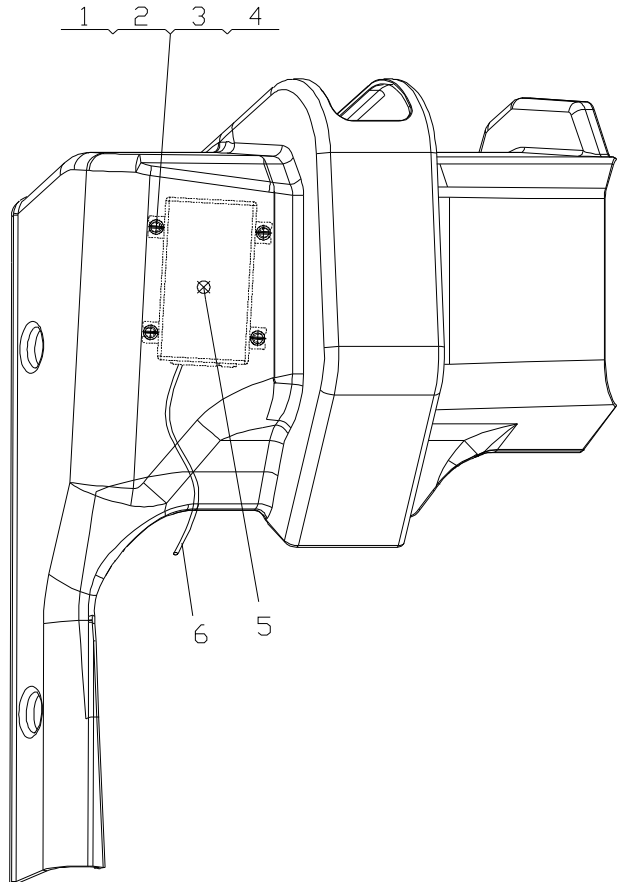
Ⓓ CPC50-XRXG75



序号 Item	物料码 Part NO.	名称 Description	数量 Qty	备注或适用车型 Remarks Or Serial NO.
A	207400010246	控制盒总成 Control box assy	1	
1	207900080058	拔片器 Film drawing device	1	
2	207400030073	预热继电器 Pre-heat Relay	1	
3	207400020008	电子闪光器 Flasher	1	
4	207400030065	通用继电器 Universal Relay	2	
5	207400040047	保险丝片 Fuse	1	
6	200200160249	控制盒标签 Control box label	1	
7	207400030100	继电器 Relay	1	
8	NO PART NO.	十六线复合插头 16-way plug	1	
9	NO PART NO.	十六线复合插头 16-way plug	1	
10	NO PART NO.	七线复合插头 7-way plug	1	
11	NO PART NO.	9.5 二线插头 9.5 2-way plug	1	

图 XI 智能安装模块
Fig. XI Intelligent installation module

全部车型
All models of truck

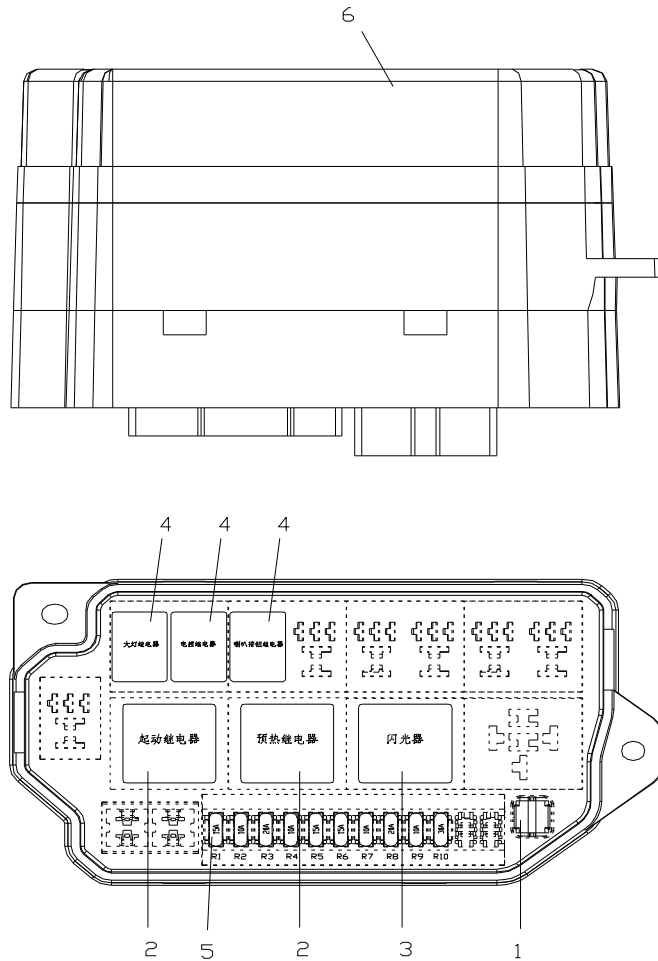


序号 Item	物料码 Part NO.	名称 Description	数量 Qty	备注或适用车型 Remarks Or Serial NO.
A	207400080716	智能模块 Intelligent installation module assy	1	包含/INC:1-5
1	300030010012	垫圈 4 Washer 4	4	
2	300030100007	垫圈 4 Washer 4	4	
3	300040170010	螺钉 M4x12 Screw M4 × 12	4	
4	300020010014	螺母 M4 Nut M4	4	
5	207400080589	智能控制器 intelligent controller	1	
6	207100150155	智能控制线束 Intelligent control harness	1	

图XII 控制盒总成
Fig. XII Control box assy

Ⓜ1 CPC40/45-XRG73

Ⓝ1 CPC50-XRXG73



序号 Item	物料码 Part NO.	名称 Description	数量 Qty	备注或适用车型 Remarks Or Serial NO.
A	207400010239	控制盒总成 Control box assy	1	
1	207900080058	拔片器 Film drawing device	1	
2	207400030073	预热继电器 Pre-heat Relay	2	
3	207400020002	电子闪光器 Flasher	1	
4	207400030062	通用继电器 Universal Relay	6	
5	810700000002	保险丝片 10A Fuse 10A	4	
5	810700000003	保险丝片 15A Fuse 15A	3	
5	810700000004	保险丝片 20A Fuse 20A	2	
5	810700000005	保险丝片 30A Fuse 30A	1	
6	207400070129	控制盒标签 Control box label	1	English
6	207400070130	控制盒标签 Control box label	1	中文

图 1 电气系统
Fig.1 Electrical system

Ⓐ CPCD40/45-XRG76 Ⓑ CPCD50-XRXG76

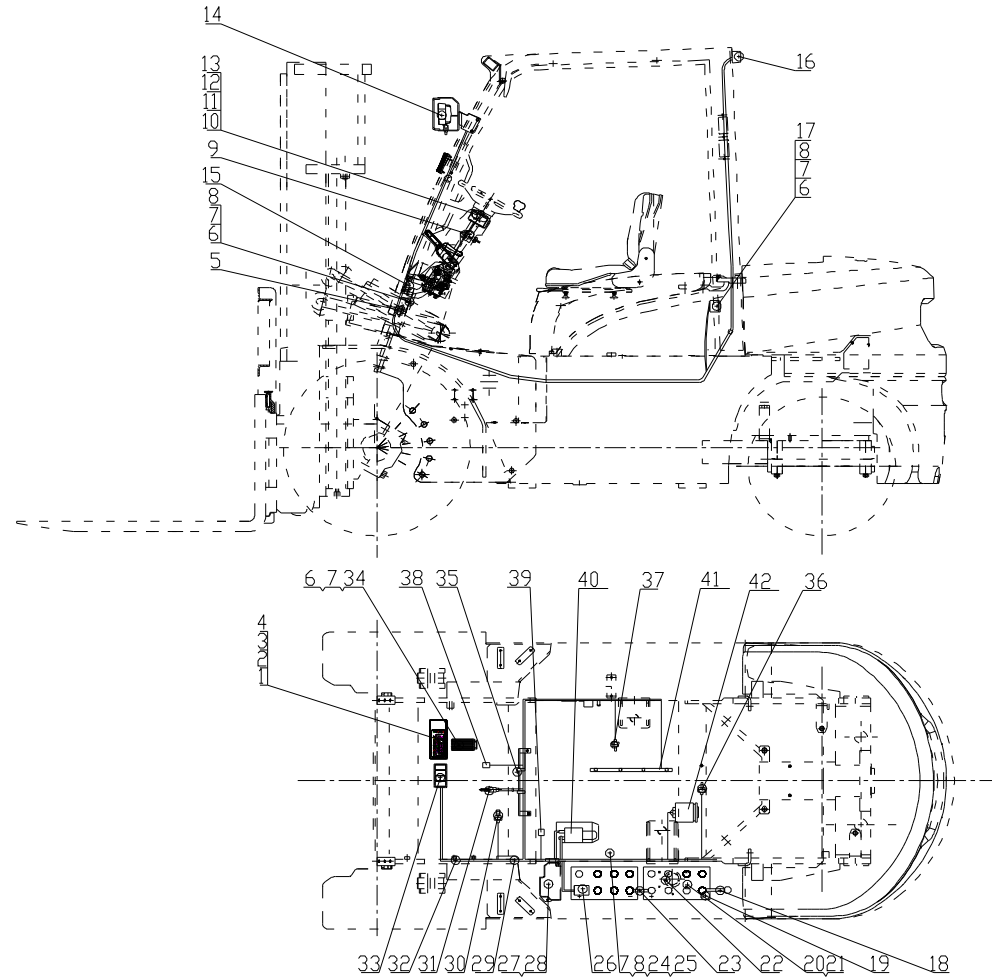


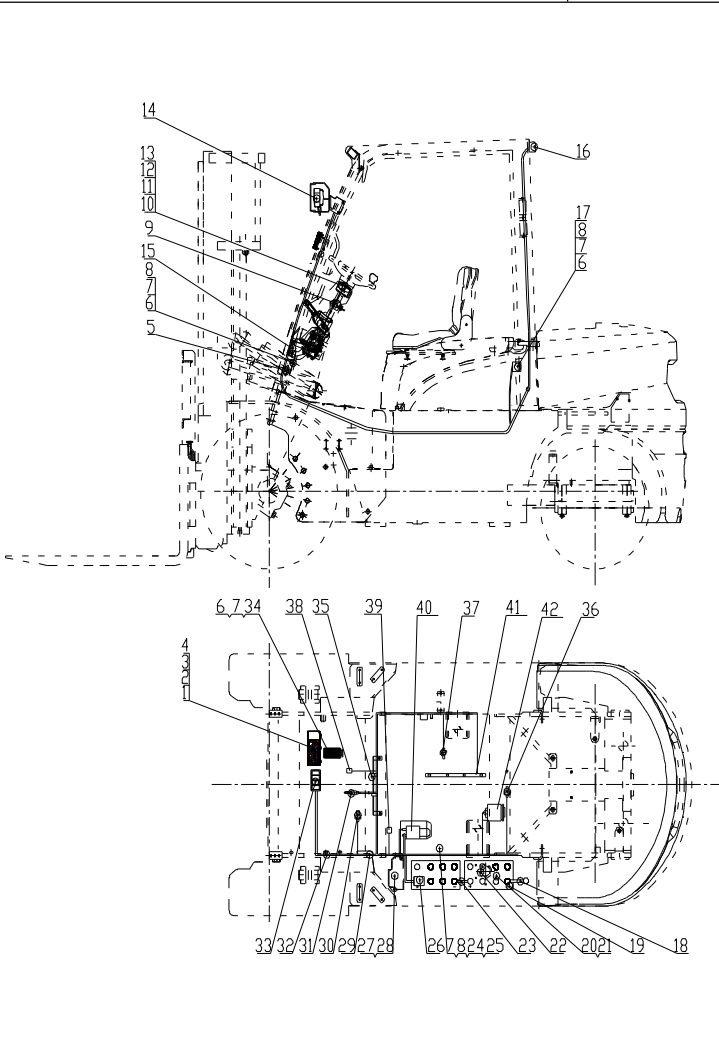
图1 电气系统
Fig.1 Electrical system

Ⓐ CPCD40/45-XRG76 Ⓑ CPCD50-XRXG76

序号 Item	物料码 Part NO.	名称 Description	数量 Qty	备注或适用车型 Remarks Or Serial NO.
1	207900050174	仪表总成 Instrument assy	1	见图VII, See Fig. VII
2	300030040011	垫圈 4 Washer 4	4	
3	300030010012	垫圈 4 Washer 4	4	
4	300040070036	螺钉 M4×12 Screw M4×12	1	
5	207900130005	电喇叭 Horn	1	见图IV, See Fig. IV
6	300010120005	螺栓 M8×16 Bolt M8×16	5	
7	300030010015	垫圈 8 Washer 8	7	
8	300030040014	垫圈 8 Washer 8	4	
9	207200030016	预热启动开关 Pre-heat & start switch	1	
10	207200020075	组合开关总 Combination Switch assy	1	见图V, See Fig. V
11	300030010013	垫圈 5 Washer 5	4	
12	300030040012	垫圈 5 Washer 5	4	
13	300040070007	螺钉 M5×10 Screw M5×10	4	
14	207600020178	前灯总成 Front lamp-assy	1	见图 I, See Fig. I
15	207900080028	扎带 Tie	8	

图1 电气系统
Fig.1 Electrical system

Ⓐ CPCD40/45-XRG76 Ⓑ CPCD50-XRXG76



序号 Item	物料码 Part NO.	名称 Description	数量 Qty	备注或适用车型 Remarks Or Serial NO.
16	207600040100	后灯总成 Rear lamps assy	1	见图 II, See Fig. II
17	207900120046	倒车蜂鸣器 Reversing Buzzer	1	
18	207700040004	蓄电池负极引线 Cable, Battery(-)	1	
19	207500030001	少维护蓄电池 Battery, Low-Maintenance	2	12V60Ah
20	300030140015	垫圈 5 Washer 5	5	
21	300040170019	螺钉 M5×12 Screw M5×12	5	
22	207300010053	油量传感器 Fuel sensor	1	
23	207700070010	蓄电池串联电线 Series wire.Battery	1	
24	300010040165	螺栓 M8×12 Bolt M8×12	2	
25	207700100002	起动机接地线 Ground wire,Starter	1	
26	207700060025	蓄电池正极引线 Cable, Battery(+)	1	
27	310070030007	螺钉组件 Screw components	2	
28	207400010219	控制盒总成 Control box assy	1	见图 III A1, See Fig. III A1
29	207900080013	捆线带 Tie line	20	
30	207200090055	油温报警器 Fuel temperature warning	1	

图2 电气系统
Fig.2 Electrical system

© CPCD40/45-XRG75 © CPCD50-XRXG75

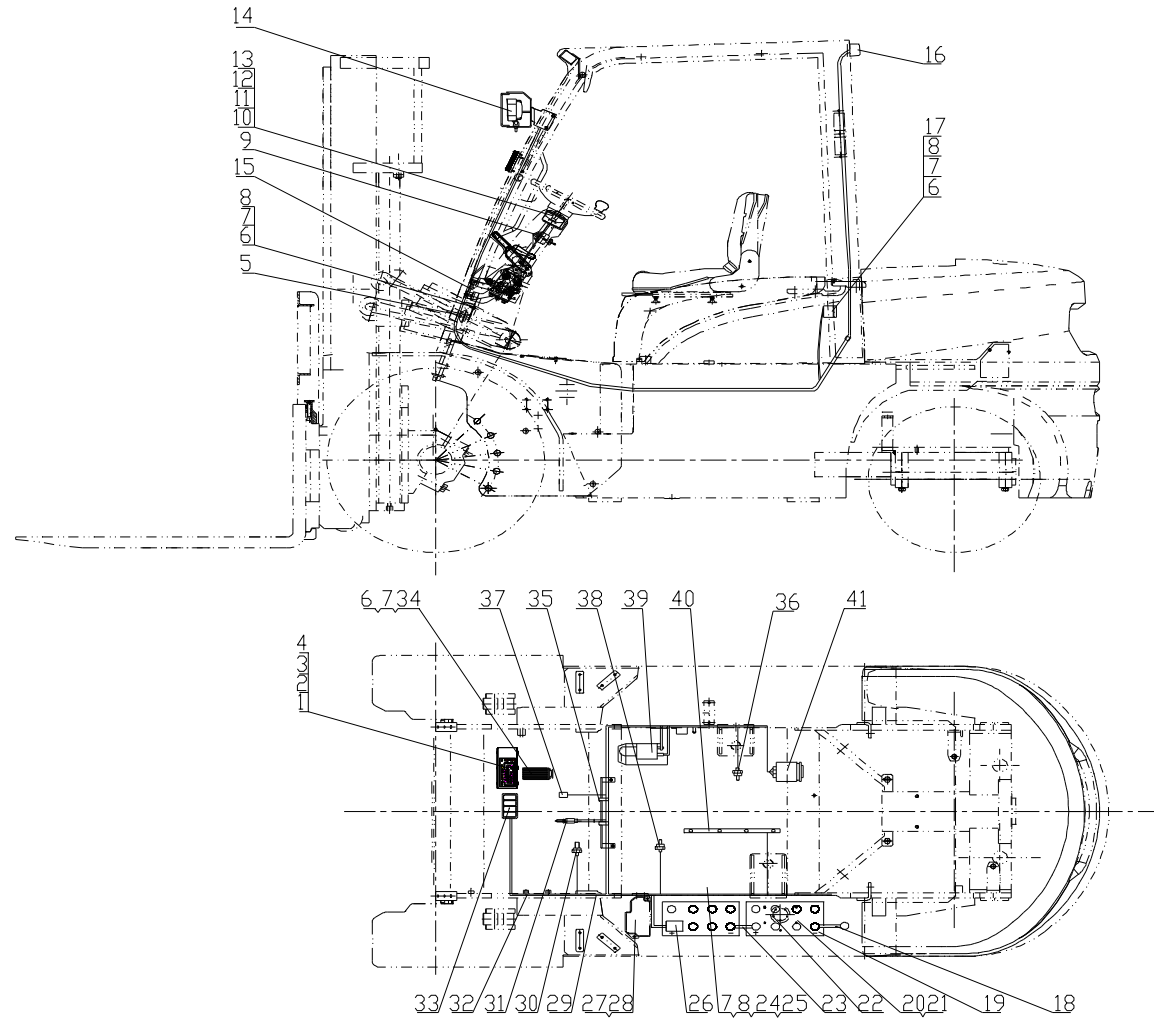


图2 电气系统
Fig.2 Electrical system

© CPCD40/45-XRG75 ① CPCD50-XRXG75

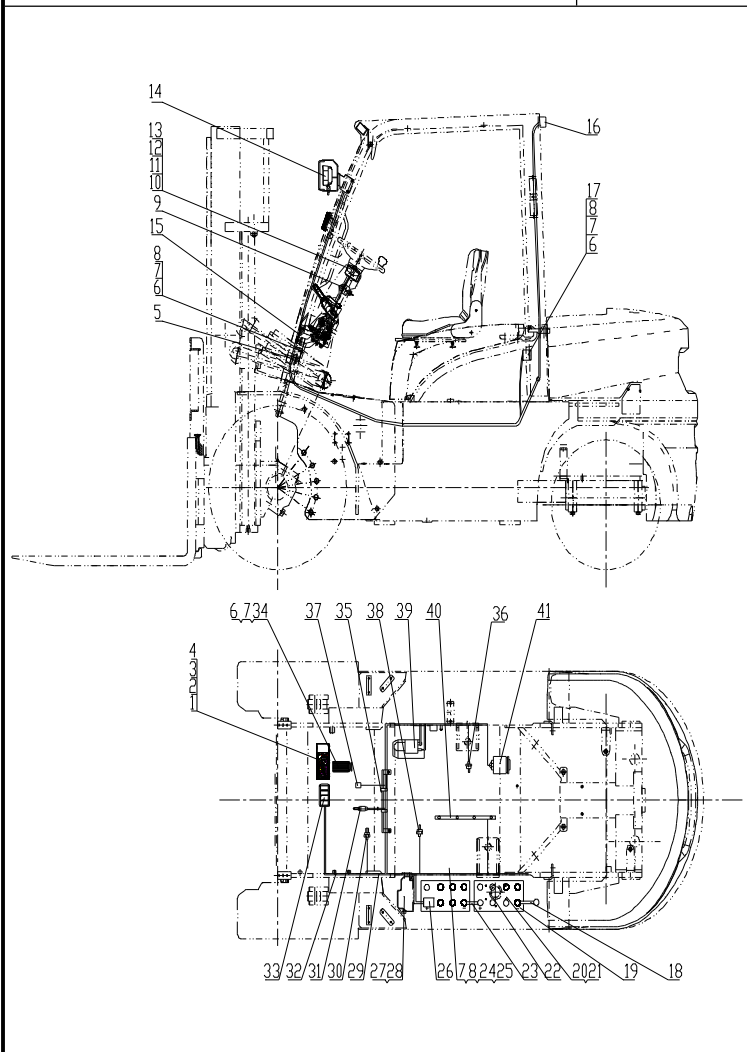
	序号 Item	物料码 Part NO.	名称 Description	数量 Qty	备注或适用车型 Remarks Or Serial NO.
	1	207900050174	仪表总成 Instrument assy	1	见图VII, See Fig. VII
	2	300030040011	垫圈 4 Washer 4	4	
	3	300030010012	垫圈 4 Washer 4	4	
	4	300040070036	螺钉 M4×12 Screw M4×12	1	
	5	207900130005	电喇叭 Horn	1	见图IV, See Fig. IV
	6	300010120005	螺栓 M8×16 Bolt M8×16	5	
	7	300030010015	垫圈 8 Washer 8	7	
	8	300030040014	垫圈 8 Washer 8	4	
	9	207200030016	预热起动开关 Pre-heat & start switch	1	
	10	207200020075	组合开关总 Combination Switch	1	见图V, See Fig. V
	11	300030010013	垫圈 5 Washer 5	4	
	12	300030040012	垫圈 5 Washer 5	4	
	13	300040070007	螺钉 M5×10 Screw M5×10	4	
	14	207600020178	前灯总成 Front lamp-assy	1	见图 I, See Fig. I
	15	207900080028	扎带 Tie	8	

图2 电气系统
Fig.2 Electrical system

© CPCD40/45-XRG75 ① CPCD50-XRXG75

序号 Item	物料码 Part NO.	名称 Description	数量 Qty	备注或适用车型 Remarks Or Serial NO.
16	207600040100	后灯总成 Rear lamps assy	1	见图 II, See Fig. II
17	207900120046	倒车蜂鸣器 Reversing Buzzer	1	
18	207700040004	蓄电池负极引线 Cable, Battery(-)	1	
19	207500030001	少维护蓄电池 Battery, Low-Maintenance	2	12V60Ah
20	300030140015	垫圈 5 Washer 5	5	
21	300040170019	螺钉 M5×12 Screw M5×12	5	
22	207300010053	油量传感器 Fuel sensor	1	
23	207700070010	蓄电池串联电线 Series wire.Battery	1	
24	300010040165	螺栓 M8×12 Bolt M8×12	2	
25	207700100002	起动机接地线 Ground wire,Starter	1	
26	207700060124	蓄电池正极引线 Cable, Battery(+)	1	
27	310070030007	螺钉组件 Screw components	2	
28	207400010219	控制盒总成 Control box assy	1	见图 III A1, See Fig. III A1
29	207900080013	捆线带 Tie line	20	
30	207200090055	油温报警器 Fuel temperature warning	1	

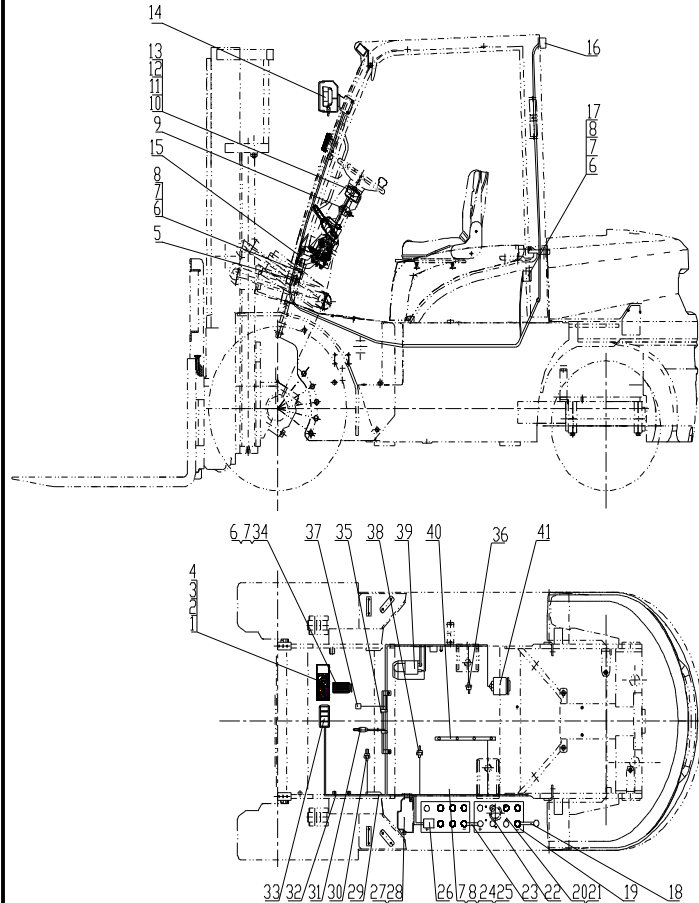
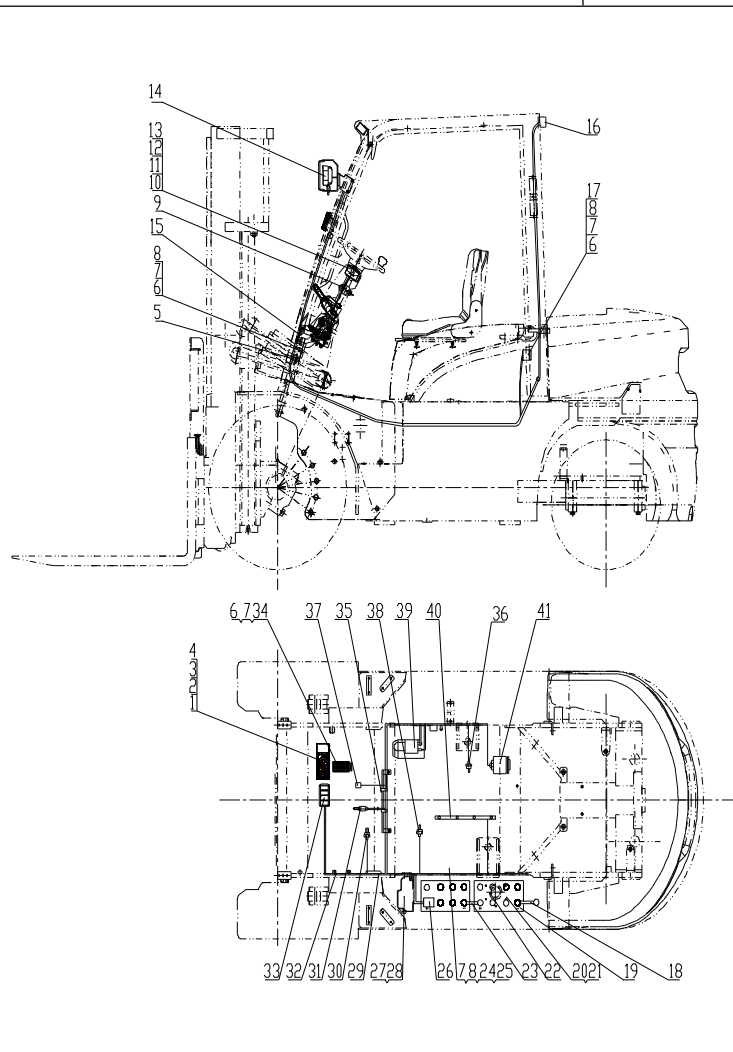


图2 电气系统
Fig.2 Electrical system

© CPCD40/45-XRG75

© CPCD50-XRXG75



序号 Item	物料码 Part NO.	名称 Description	数量 Qty	备注或适用车型 Remarks Or Serial NO.
31	207200080035	制动灯开关 Brake switch	1	
32	207100012918	车身主线束 Main wire-harness	1	
33	207200060043	四卡翘板开关 Four Cards rocker switch	1	见图VII, See Fig. VII
34	207900310005	油门踏板 Accelerator pedal	1	
35	207100010462	主线束固定支架 Harness fixing support	1	
36	207300050031	水温传感器 Water temp .sending unit	1	
37		换向电磁阀 Electrom agnetic reversing valves	1	变速箱配 Supply by transmission box
38		油压报警器 Hydraulic Oil alarm		发动机配套 Supply by engine
39		起动机 Starter	1	发动机配套 Supply by engine
40		预热塞 Glow plug	1	发动机配套 Supply by engine
41		发电机 Alternator	1	发动机配套 Supply by engine

图3 电气系统
Fig.3 Electrical system

Ⓒ CPCD40/45-XRW35 Ⓓ CPCD50-XRXW35

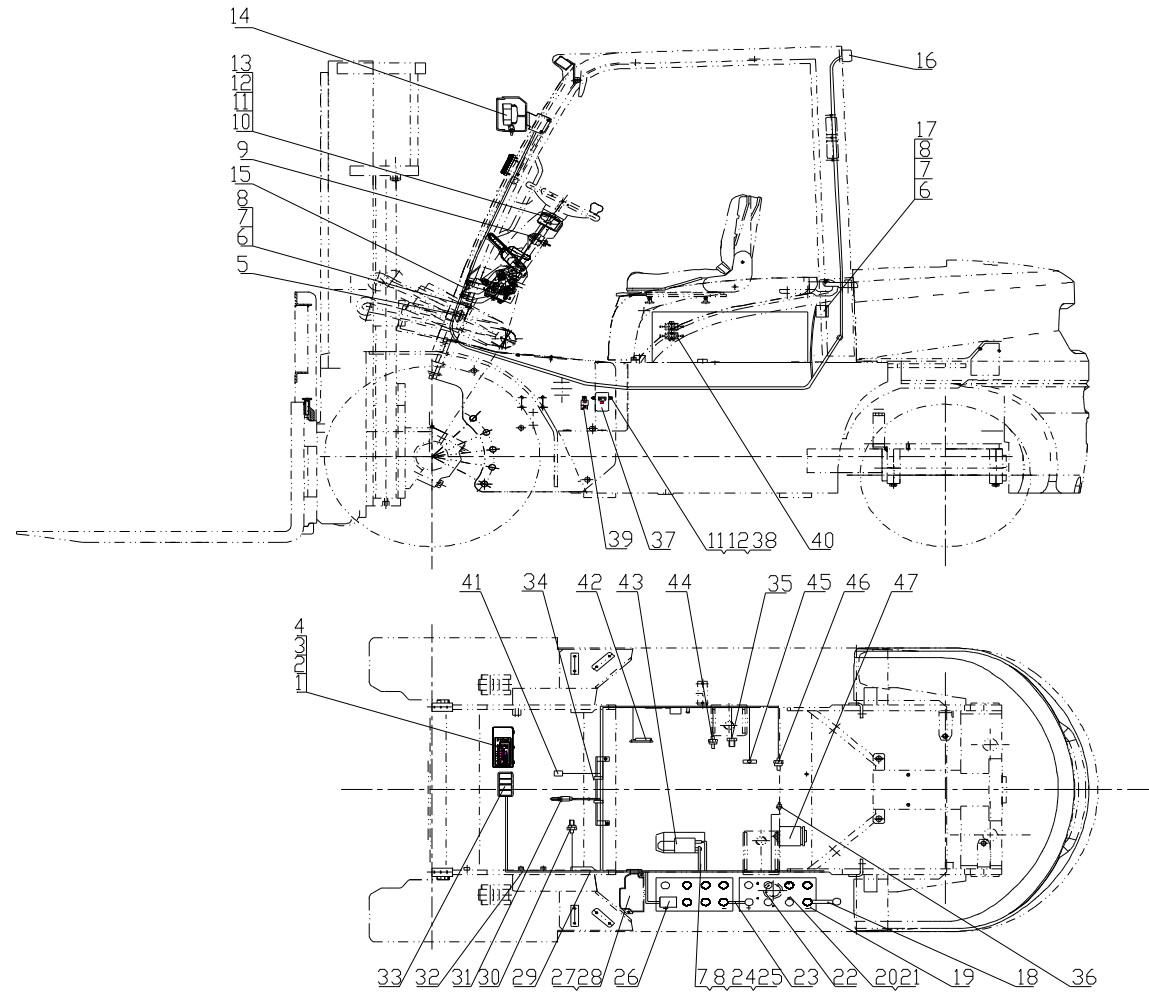


图3 电气系统
Fig.3 Electrical system

Ⓒ CPCD40/45-XRW35 Ⓓ CPCD50-XRXW35

序号 Item	物料码 Part NO.	名称 Description	数量 Qty	备注或适用车型 Remarks Or Serial NO.
1	207900050174	仪表总成 Instrument assy	1	见图VII, See Fig. VII
2	300030040011	垫圈 4 Washer 4	4	
3	300030010012	垫圈 4 Washer 4	4	
4	300040070036	螺钉 M4×12 Screw M4×12	1	
5	207900130005	电喇叭 Horn	1	见图IV, See Fig. IV
6	300010120005	螺栓 M8×16 Bolt M8×16	2	
7	300030010015	垫圈 8 Washer 8	7	
8	300030040014	垫圈 8 Washer 8	4	
9	207200030016	预热起动开关 Pre-heat & start switch	1	
10	207200020075	组合开关总 Combination Switch	1	见图V, See Fig. V
11	300030010013	垫圈 5 Washer 5	7	
12	300030040012	垫圈 5 Washer 5	7	
13	300040070007	螺钉 M5×10 Screw M5×10	4	
14	207600020178	前灯总成 Front lamp-assy	1	见图 I, See Fig. I
15	207900080028	扎带 Tie	8	

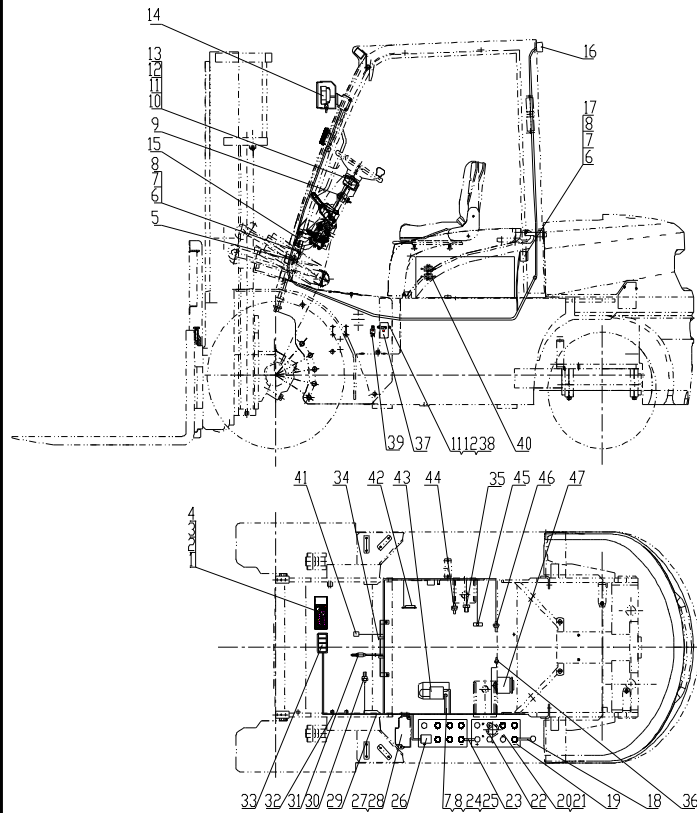


图3 电气系统
Fig.3 Electrical system

Ⓒ CPCD40/45-XRW35 Ⓓ CPCD50-XRXW35

序号 Item	物料码 Part NO.	名称 Description	数量 Qty	备注或适用车型 Remarks Or Serial NO.
16	207600040100	后灯总成 Rear lamps assy	1	见图 II, See Fig. II
17	207900120046	倒车蜂鸣器 Reversing Buzzer	1	
18	207700040004	蓄电池负极引线 Cable, Battery(-)	1	
19	207500030002	少维护蓄电池 Battery, Low-Maintenance	2	12V90Ah
20	300030140015	垫圈 5 Washer 5	5	
21	300040170019	螺钉 M5×12 Screw M5×12	5	
22	207300010053	油量传感器 Fuel sensor	1	
23	207700070010	蓄电池串联电线 Series wire.Battery	1	
24	300010040165	螺栓 M8×12 Bolt M8×12	2	
25	207700100002	起动机接地线 Ground wire,Starter	1	
26	207700060025	蓄电池正极引线 Cable, Battery(+)	1	
27	310070030007	螺钉组件 Screw components	2	
28	207400010219	控制盒总成 Control box assy	1	见图 III A1, See Fig. III A1
29	207900080013	捆线带 Tie line	20	
30	207200090055	油温报警器 Fuel temperature warning	1	

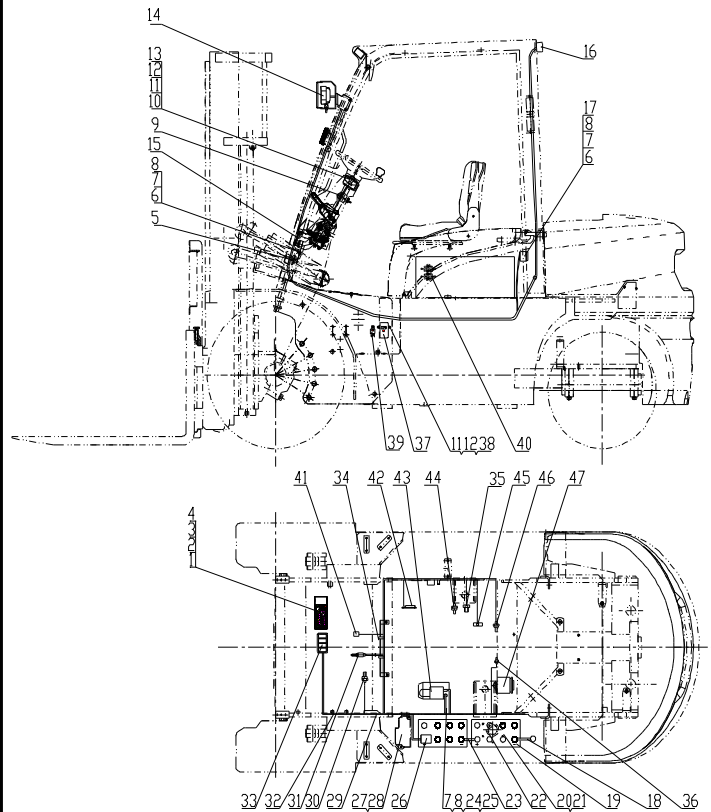


图3 电气系统
Fig.3 Electrical system

Ⓒ CPCD40/45-XRW35 Ⓓ CPCD50-XRXW35

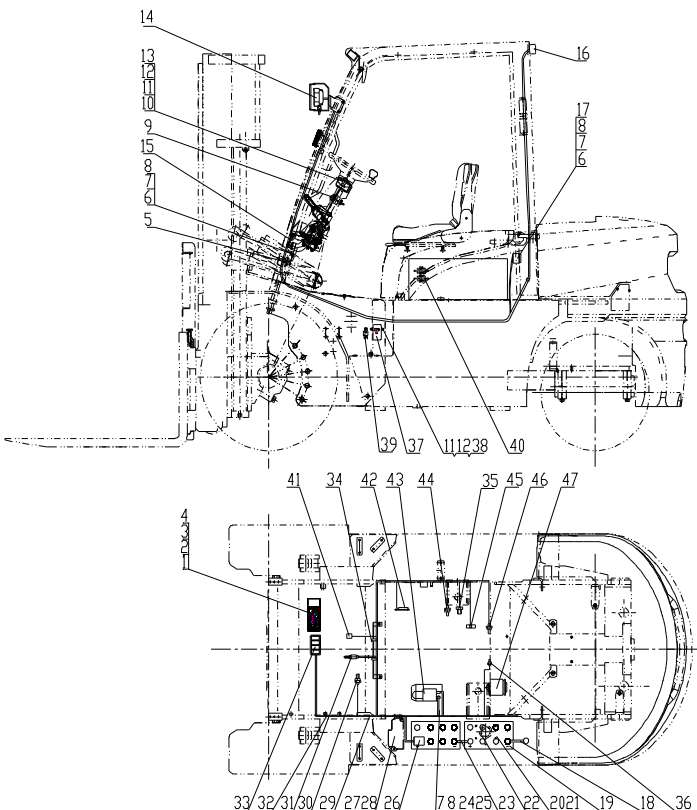
序号 Item	物料码 Part NO.	名称 Description	数量 Qty	备注或适用车型 Remarks Or Serial NO.
				
31	207200080035	制动灯开关 Brake switch	1	
32	207100012687	车身主线束 Main wire-harness	1	
33	207200060043	四卡翘板开关 Four Cards rocker switch	1	见图VII, See Fig. VII
34	207100010462	主线束固定支架 Harness fixing support	1	
35	207300020012	油压报警器 Hydraulic Oil alarm	1	
36	207300050062	水温传感器 Water temp .sending unit	1	
37	207400030013	预热定时器 Preheat Timer	1	
38	300040070032	螺钉 M5×16 Screw M5×16	3	
39	207400030080	通用继电器 Universal relay	1	
40		电阻 Resistance	1	发动机配套 Supply by engine
41		换向电磁阀 Electrom agnetic reversing	1	变速箱配 Supply by transmission box
42		电压调节器 Voltage Regulator	1	发动机配套 Supply by engine
43		起动机 Starter	1	发动机配套 Supply by engine
44		电熄火开关 Power shutdown switch	1	发动机配套 Supply by engine
45		预热塞 Glow plug	1	发动机配套 Supply by engine

图4 电气系统
Fig.4 Electrical system

Ⓚ CPQYD40/45-XRW57 Ⓛ CPQYD50-XRW57

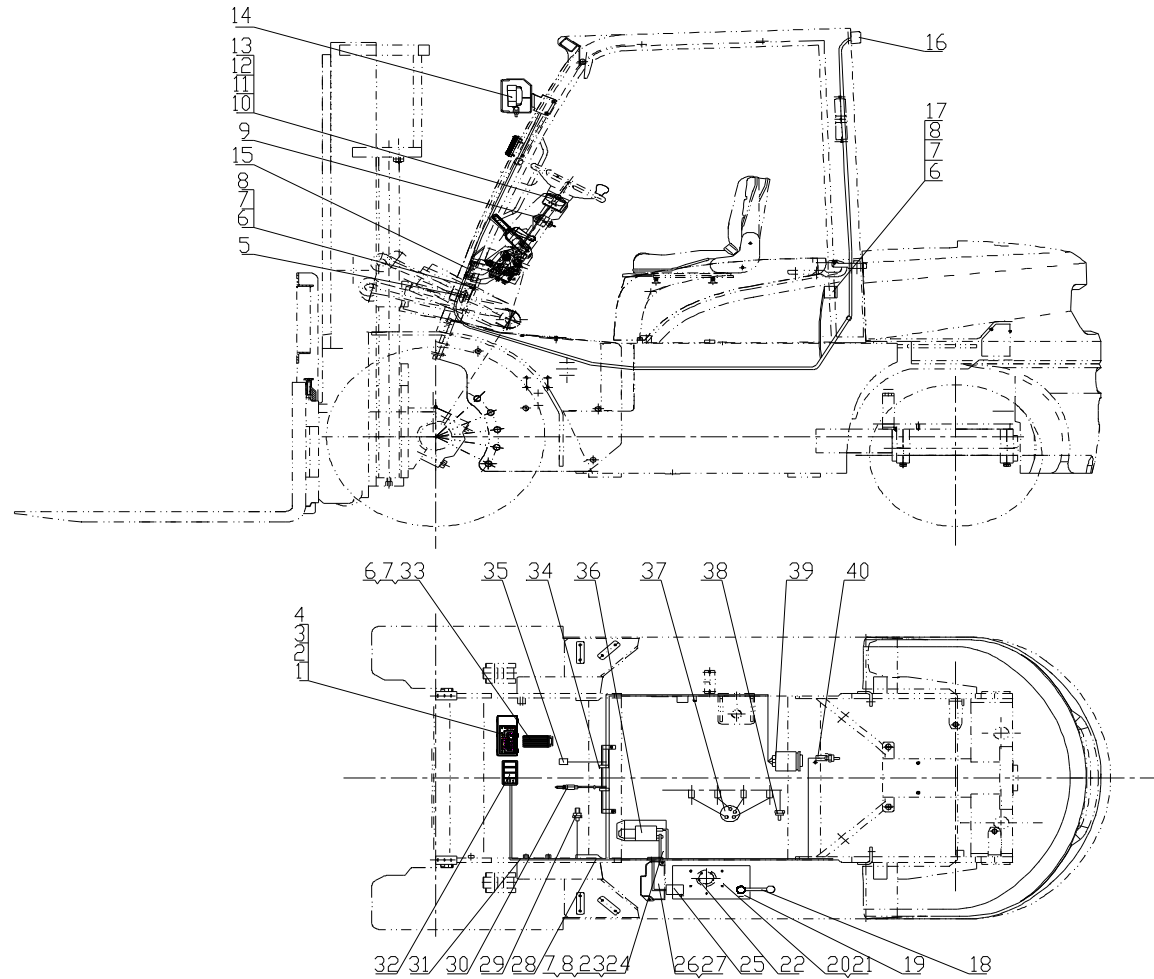


图4 电气系统
Fig.4 Electrical system

Ⓚ CPQYD40/45-XRW57 Ⓛ CPQYD50-XRW57

序号 Item	物料码 Part NO.	名称 Description	数量 Qty	备注或适用车型 Remarks Or Serial NO.
1	207900050174	仪表总成 Instrument assy	1	见图VII ,See Fig.VII
2	300030040011	垫圈 4 Washer 4	4	
3	300030010012	垫圈 4 Washer 4	4	
4	300040070036	螺钉M4×12 Screw M4×12	1	
5	207900130006	喇叭 Horn	1	见图IV, See Fig. IV
6	300010120005	螺栓M8×16 Bolt M8×16	5	
7	300030010015	垫圈 8 Washer 8	7	
8	300030040014	垫圈 8 Washer 8	4	
9	207200030016	预热起动开关 Pre-heat & start switch	1	
10	207200020075	组合开关总 Combination Switch	1	见图V, See Fig. V
11	300030010013	垫圈 5 Washer 5	4	
12	300030040012	垫圈 5 Washer 5	4	
13	300040070007	螺钉M5×10 Screw M5×10	4	
14	207600020169	前灯总成 Front lamp-assy	1	见图I, See Fig. I
15	207900080028	扎带 Tie	8	

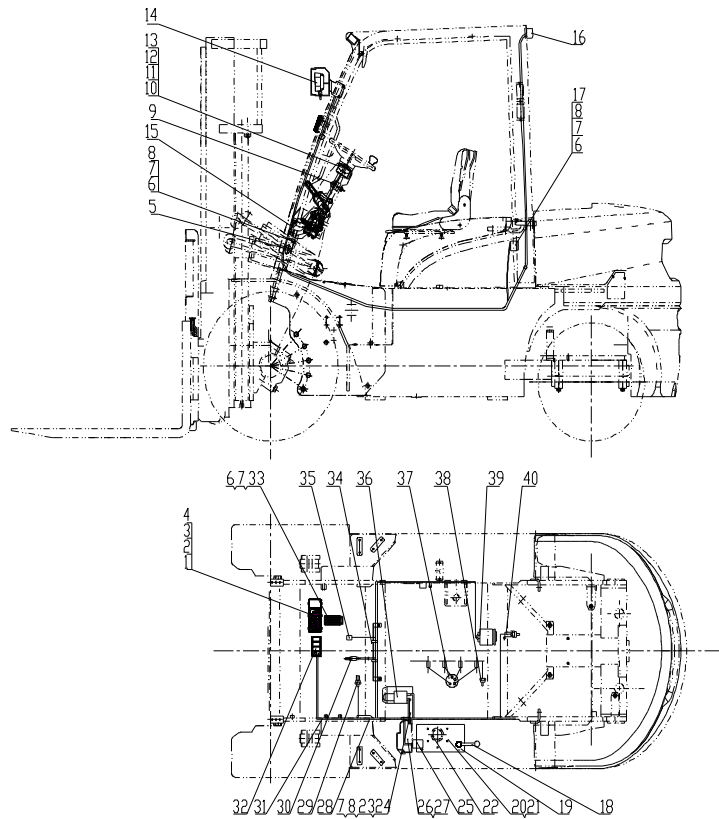


图4 电气系统
Fig.4 Electrical system

Ⓚ CPQYD40/45-XRW57 Ⓛ CPQYD50-XRW57

序号 Item	物料码 Part NO.	名称 Description	数量 Qty	备注或适用车型 Remarks Or Serial NO.
16	207600040099	后灯总成 Rear lamps assy	1	见图 II , See Fig. II
17	207900120038	倒车蜂鸣器 Reversing Buzzer	1	
18	207700040004	蓄电池负极引线 Cable, Battery(-)	1	
19	207500030001	少维护蓄电池 Battery, Low-Maintenance	1	12V60Ah
20	300040170019	螺钉M5×12 Screw M5×12	5	
21	300030140015	垫圈 5 Washer 5	5	
22	207300010053	油量传感器 Fuel sensor	1	
23	300010040165	螺栓M8×12 Bolt M8×12	1	
24	207700100002	起动机接地线 Ground wire,Starter	1	
25	207700060025	蓄电池正极引线 Cable, Battery(+)	1	Bolt components
26	310070030007	螺钉组件 Screw components	20	
27	207400010220	控制盒总成 Control box assy	1	见图 III A2, See Fig. III A2
28	207900080013	捆线带 Tie line	20	
29	207200090055	油温报警器 Fuel temperature warning	1	
30	207200080035	制动灯开关 Brake switch	1	

图4 电气系统
Fig.4 Electrical system

Ⓚ CPQYD40/45-XRW57 Ⓛ CPQYD50-XRW57

序号 Item	物料码 Part NO.	名称 Description	数量 Qty	备注或适用车型 Remarks Or Serial NO.
31	207100012686	车身主线束 Main wire-harness	1	
32	207200060232	四卡翘板开关 Four Cards rocker switch	1	见图VII, See Fig. VII
33	207900310005	油门踏板 Accelerator pedal		
34	207100010462	主线束固定支架 Harness fixing support	1	
35		换向电磁阀 Electrom agnetic reversing	1	变速箱配 Supply by transmission box
36		起动机 Starter	1	发动机配套 Supply by engine
37		分电器 Distributor	1	发动机配 Supply by engine
38		油压报警器 Hydraulic Oil alarm	1	发动机配 Supply by engine
39	207300050012	水温传感器 Water temp. sensor	1	
40		发电机 Alternator	1	发动机配套 Supply by engine
41		汽化器 Carburetor	1	发动机配 Supply by engine

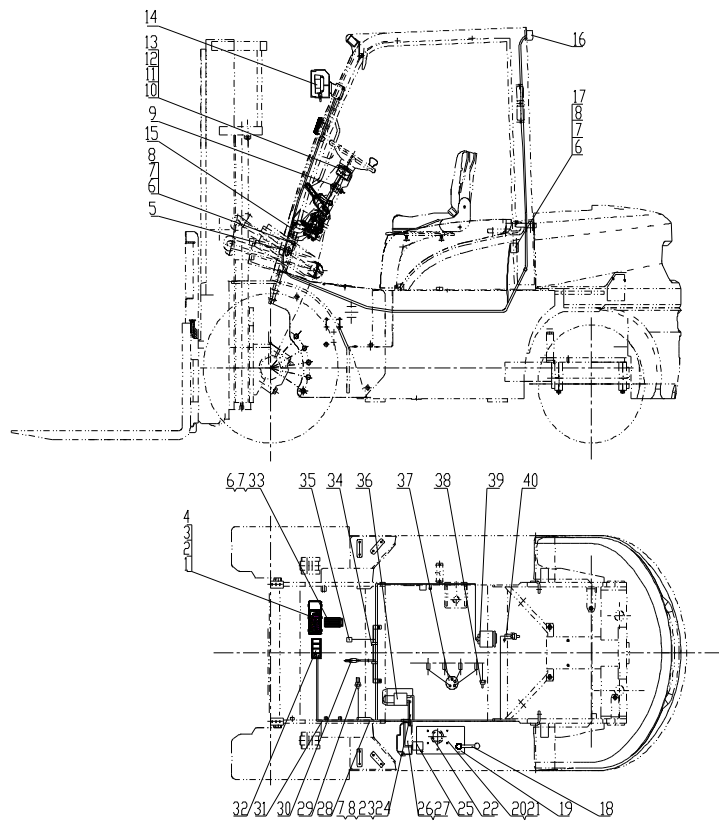


图5 电气系统
Fig.5 Electrical system

Ⓐ CPC40/45-XRG76

Ⓑ CPC50-XRXG76

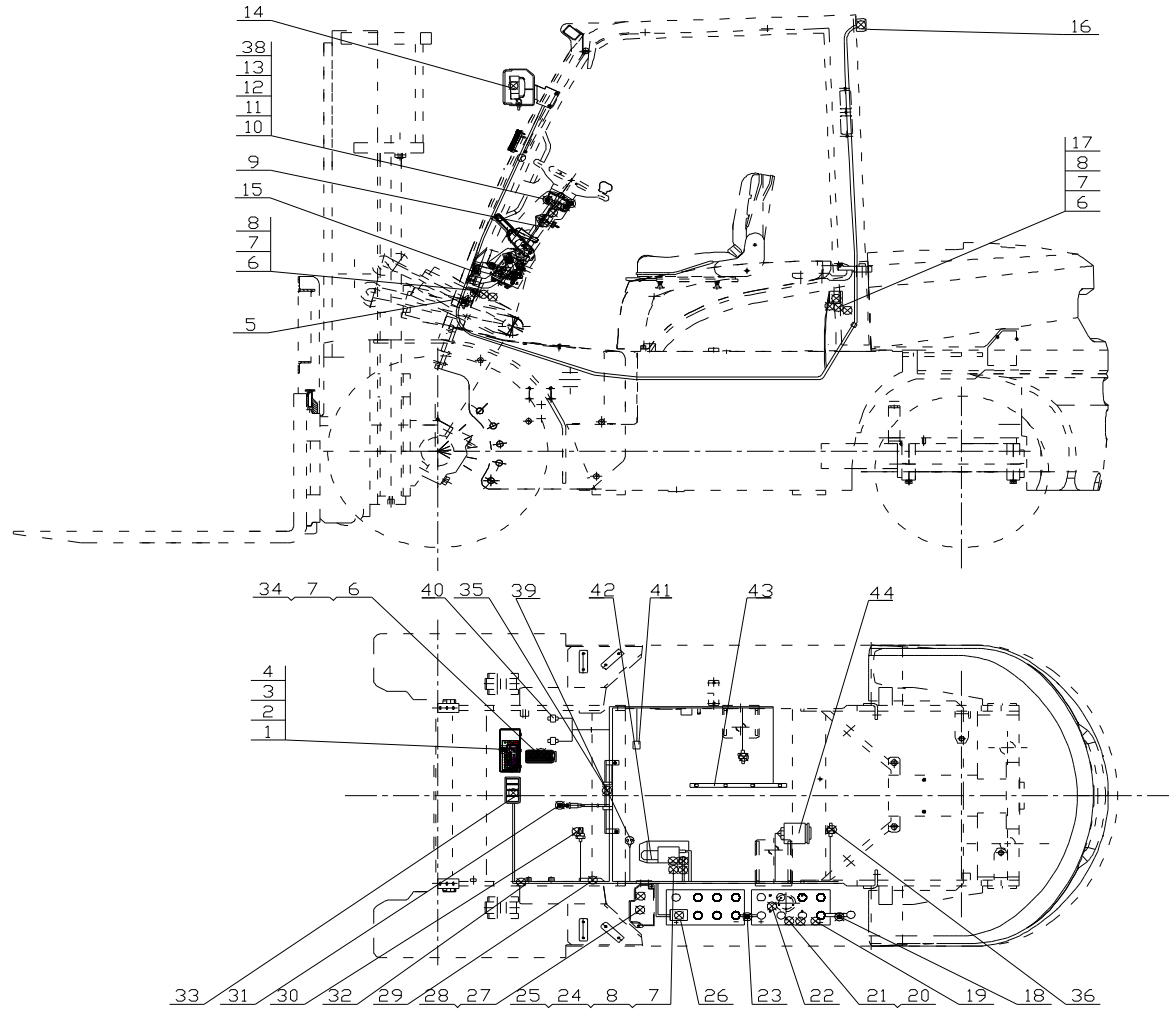


图5 电气系统
Fig.5 Electrical system

Ⓐ1 CPC40/45-XRG76

Ⓑ1 CPC50-XRXG76

序号 Item	物料码 Part NO.	名称 Description	数量 Qty	备注或适用车型 Remarks Or Serial NO.
1	207900050174	仪表总成 Instrument assy	1	见图VI, See Fig. VI
2	300030040011	垫圈 4 Washer 4	4	
3	300030010012	垫圈 4 Washer 4	4	
4	300040070036	螺钉 M4×12 Screw M4×12	4	
5	207900130005	电喇叭 Horn	1	见图IV, See Fig. IV
6	300010120005	螺栓 M8×16 Bolt M8×16	5	
7	300030010015	垫圈 8 Washer 8	7	
8	300030040014	垫圈 8 Washer 8	4	
9	207200030016	预热起动开关 Pre-heat & start switch	1	
10	207200010056	转向灯开关 Steering lamp switch	1	见图IX, See Fig. IX
11	300030010013	垫圈 5 Washer 5	4	
12	300030040012	垫圈 5 Washer 5	4	
13	300040070007	螺钉 M5×10 Screw M5×10	4	
14	207600020178	前灯总成 Front lamp-assy	1	见图 I , See Fig. I
15	207900080028	扎带 Tie	5	

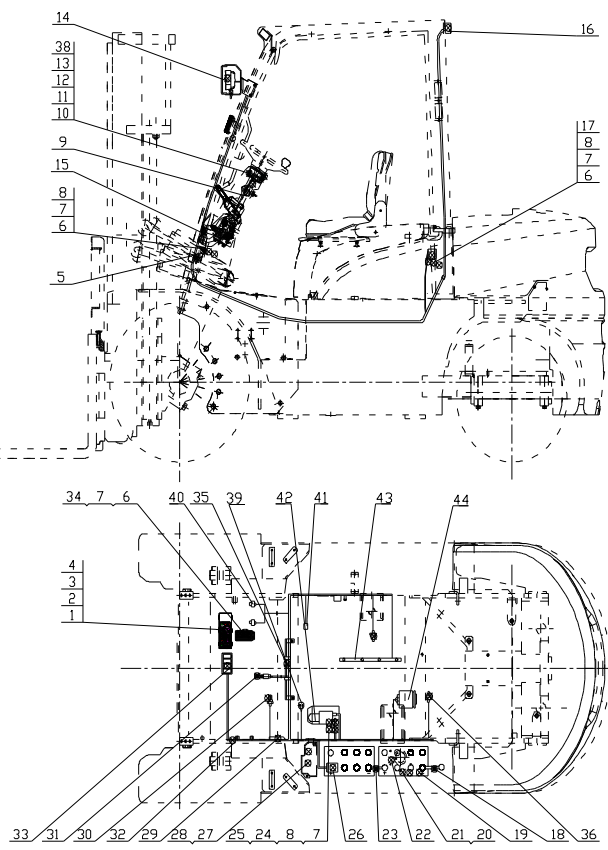


图5 电气系统
Fig.5 Electrical system

Ⓐ1 CPC40/45-XRG76

Ⓑ1 CPC50-XRXG76

序号 Item	物料码 Part NO.	名称 Description	数量 Qty	备注或适用车型 Remarks Or Serial NO.
16	207600040100	后灯总成 Rear lamps assy	1	见图 II, See Fig. II
17	207900120046	倒车蜂鸣器 Reversing Buzzer	1	
18	207700040004	蓄电池负极引线 Cable, Battery(-)	1	
19	207500030001	少维护蓄电池 Battery, Low-Maintenance	2	12V60Ah
20	300030140015	垫圈 5 Washer 5	5	
21	300040170019	螺钉 M5×12 Screw M5×12	5	
22	207300010053	油量传感器 Fuel sensor	1	
23	207700070010	蓄电池串联电线 Series wire.Battery	1	
24	300010040165	螺栓 M8×12 Bolt M8×12	2	
25	207700100002	起动机接地线 Ground wire,Starter	1	
26	207700060124	蓄电池正极引线 Cable, Battery(+)	1	
27	310070030007	螺钉组件 Screw components	2	
28	207400010219	控制盒总成 Control box assy	1	见图 XI, See Fig XI.
29	207900080013	捆线带 Tie line	20	
30	207200090055	油温传感器 oil temperature sensor	1	

图5 电气系统
Fig.5 Electrical system

Ⓐ1 CPC40/45-XRG76

Ⓑ1 CPC50-XRXG76

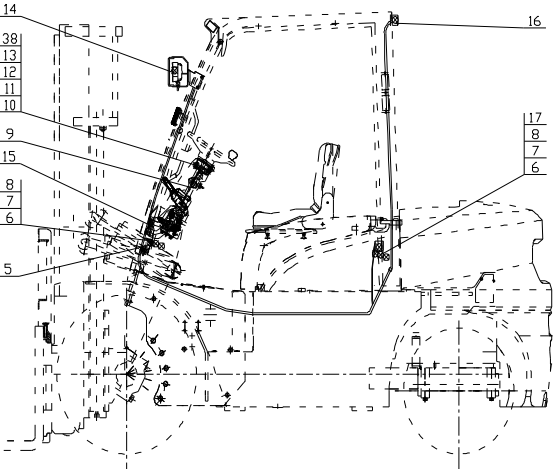
序号 Item	物料码 Part NO.	名称 Description	数量 Qty	备注或适用车型 Remarks Or Serial NO.
				
31	207200080035	制动灯开关 Brake switch	1	
32	207100013009	车身主线束 Main wire-harness	1	
33	207200060043	四卡翘板开关 Four Cards rocker switch	1	见图VII, See Fig. VII
34	207900310005	油门踏板 Accelerator pedal	1	
35	207100010462	主线束固定支架 Harness fixing support	1	
36	207300050031	水温传感器 Water temp .sending unit	1	
37	207300020017	油压报警器 Hydraulic Oil alarm	1	
38	202100120006	盖子 Cap	1	
39		倒车灯开关 Backup light switch	1	变速箱配 Supply by transmission box
40		空档起步开关 Neutral start switch	1	变速箱配 Supply by transmission box
41		油水分离报警器 Oil water separating alarm	1	发动机配套 Supply by engine
42		起动机 Starter	1	发动机配套 Supply by engine
43		预热塞 Glow plug	1	发动机配套 Supply by engine
44		发电机 Alternator	1	发动机配套 Supply by engine

图6 电气系统
Fig.6 Electrical system

① CPC40/45-XRG75

② CPC50-XRXG75

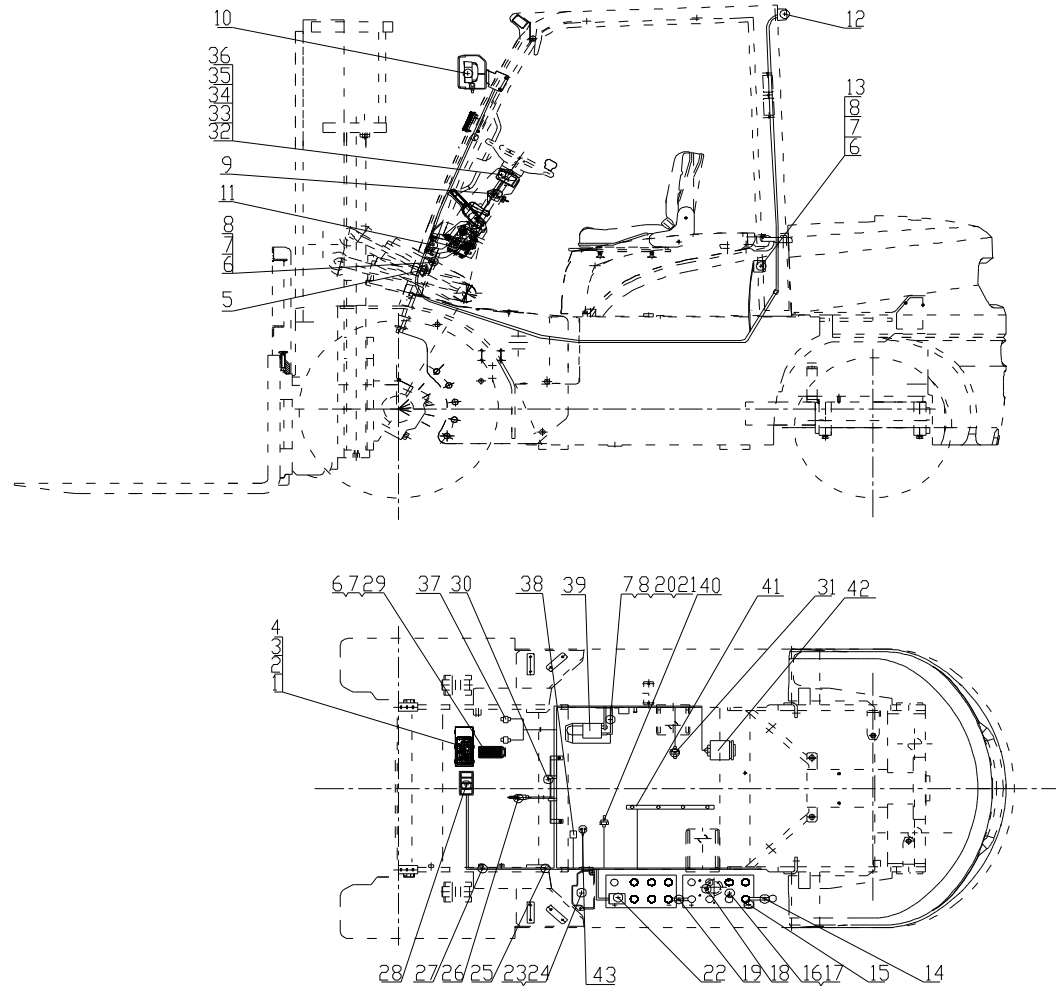


图6 电气系统
Fig.6 Electrical system

Ⓒ1 CPC40/45-XRG75

Ⓓ1 CPC50-XRXG75

序号 Item	物料码 Part NO.	名称 Description	数量 Qty	备注或适用车型 Remarks Or Serial NO.
1	207900050174	仪表总成 Instrument assy	1	见图VI, See Fig. VI
2	300030040011	垫圈 4 Washer 4	4	
3	300030010012	垫圈 4 Washer 4	4	
4	300040070036	螺钉 M4×12 Screw M4×12	4	
5	207900130005	电喇叭 Horn	1	见图IV, See Fig. IV
6	300010120005	螺栓 M8×16 Bolt M8×16	5	
7	300030010015	垫圈 8 Washer 8	7	
8	300030040014	垫圈 8 Washer 8	4	
9	207200030016	预热起动机 Pre-heat & start switch	1	
10	207600020178	前灯总成 Front lamp-assy	1	见图 I , See Fig. I
11	207900080028	扎带 Tie	5	
12	207600040100	后灯总成 Rear lamps assy	1	见图 II , See Fig. II
13	207900120046	倒车蜂鸣器 Reversing Buzzer	1	
14	207700040004	蓄电池负极引线 Cable, Battery(-)	1	
15	207500030001	少维护蓄电池 Battery, Low-Maintenance	2	12V60Ah

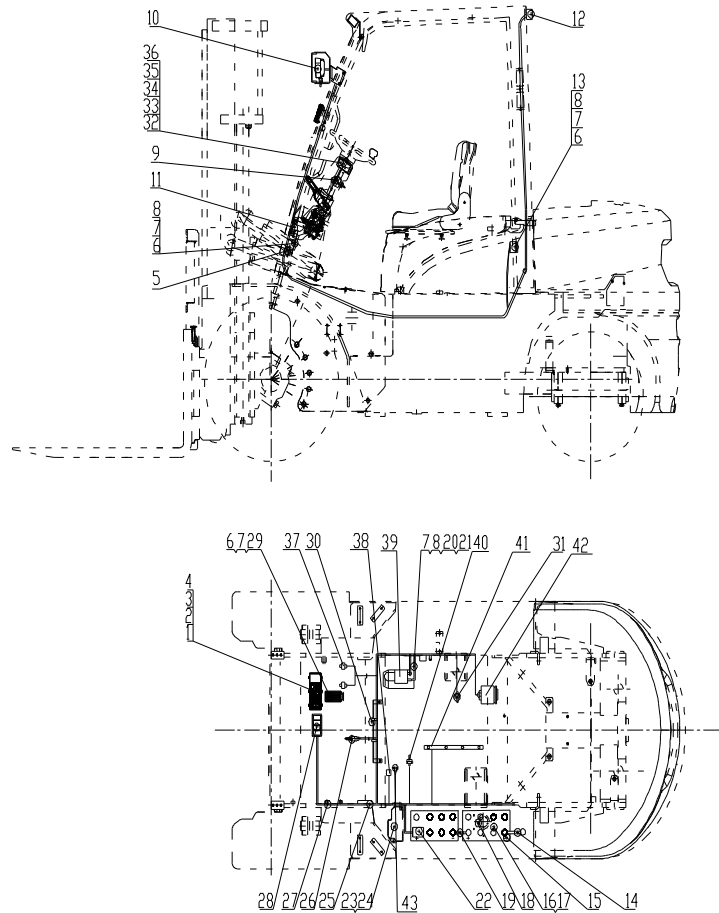


图6 电气系统
Fig.6 Electrical system

Ⓒ1 CPC40/45-XRG75

Ⓓ1 CPC50-XRXG75

序号 Item	物料码 Part NO.	名称 Description	数量 Qty	备注或适用车型 Remarks Or Serial NO.
16	300030140015	垫圈 5 Washer 5	5	
17	300040170019	螺钉 M5×10 Screw M5×10	5	
18	207300010053	油量传感器 Fuel sensor	1	
19	207700070010	蓄电池串联电线 Series wire, Battery	1	
20	300010040165	螺栓 M8×12 Bolt M8×12	2	
21	207700100002	起动机接地线 Ground wire, Starter	1	
22	207700060124	蓄电池正极引线 Cable, Battery(+)	1	
23	310070030007	螺钉组件 Screw components	2	
24	207400010219	控制盒总成 Control box assy	1	见图 IX, See Fig. IX
25	207900080013	捆线带 Tie line	20	
26	207200080035	制动灯开关 Brake switch	1	
27	207100012918	车身主线束 Main wire-harness	1	
28	207200060043	四卡翘板开关 Four Cards rocker switch	1	见图 VII, See Fig. VII
29	207900310005	油门踏板 Accelerator pedal	1	
30	207100010462	主线束固定支架 Harness fixing support	1	

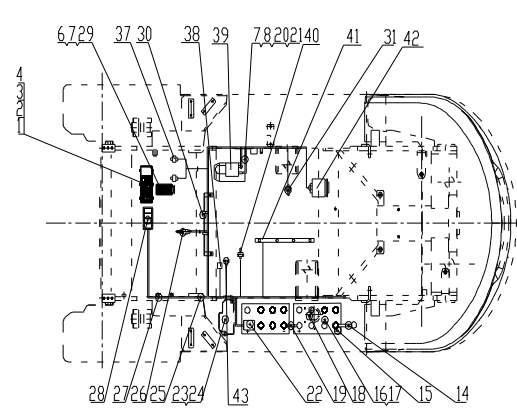
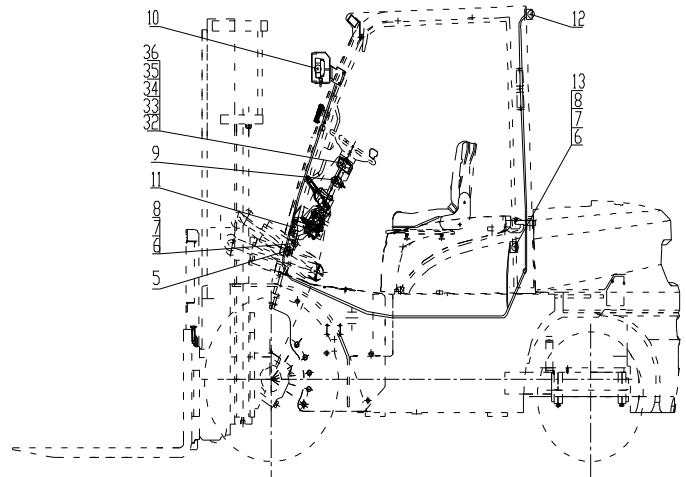


图6 电气系统
Fig.6 Electrical system

① CPCD40/45-XRW76 ② CPCD50-XRXW76

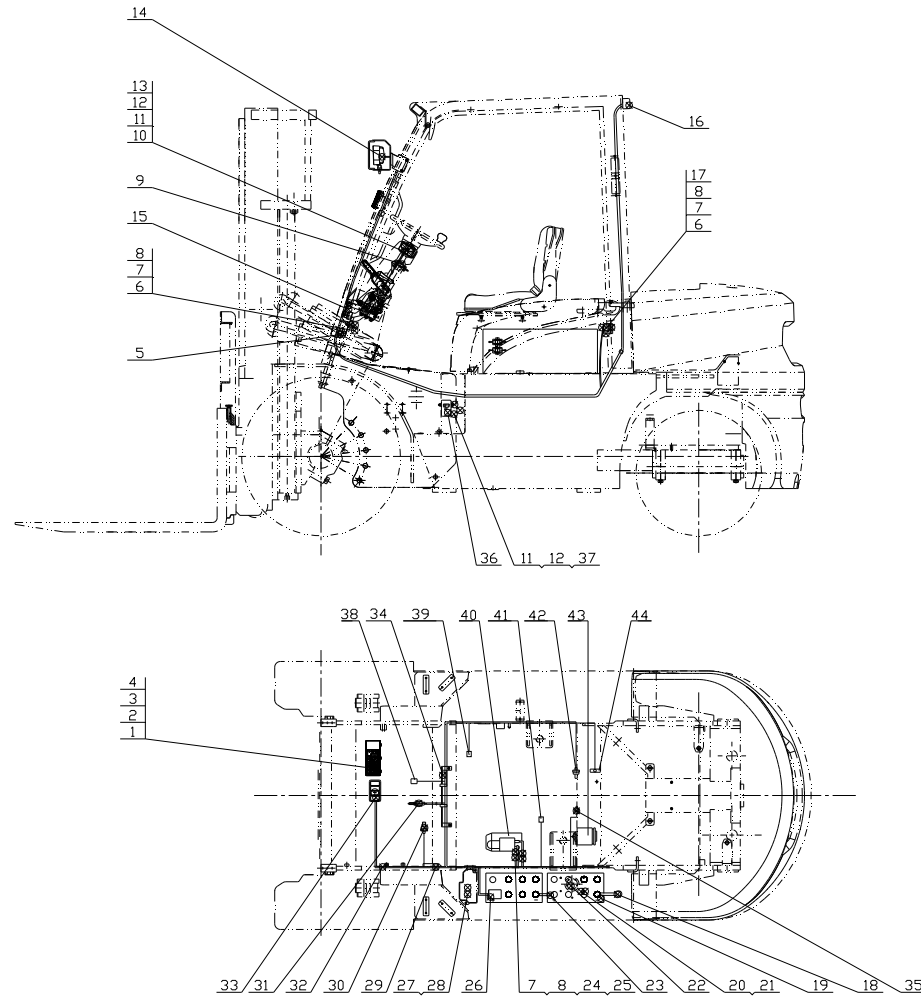


图7 电气系统
Fig.7 Electrical system

① CPCD40/45-XRW76 ② CPCD50-XRXW76

	序号 Item	物料码 Part NO.	名称 Description	数量 Qty	备注或适用车型 Remarks Or Serial NO.
	1	207900050174	仪表总成 Instrument assy	1	
	2	300030040011	垫圈 4 Washer 4	4	
	3	300030010012	垫圈 4 Washer 4	4	
	4	300040070036	螺钉 M4×12 Screw M4×12	1	
	5	207900130005	电喇叭 Horn	1	
	6	300010120005	螺栓 M8×16 Bolt M8×16	2	
	7	300030010015	垫圈 8 Washer 8	4	
	8	300030040014	垫圈 8 Washer 8	4	
	9	207200030016	预热起动开关 Pre-heat & start switch	1	
	10	207200020075	组合开关总成 Combination Switch assy	1	
	11	300030010013	垫圈 5 Washer 5	7	
	12	300030040012	垫圈 5 Washer 5	7	
	13	300040070007	螺钉 M5×10 Screw M5×10	4	
	14	207600020178	前灯总成 Front lamp-assy	1	
	15	207900080028	扎带 Tie	8	

图7 电气系统
Fig.7 Electrical system

① CPCD40/45-XRW76 ② CPCD50-XRXW76

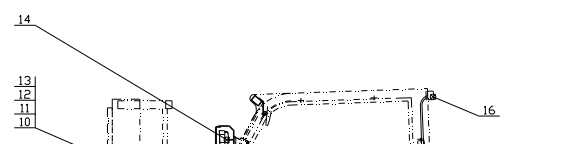
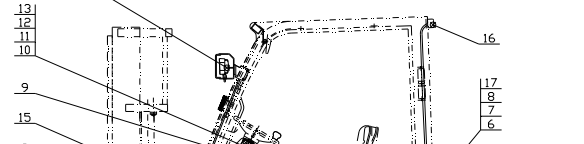
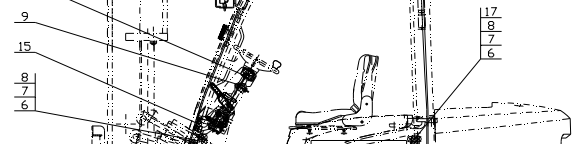
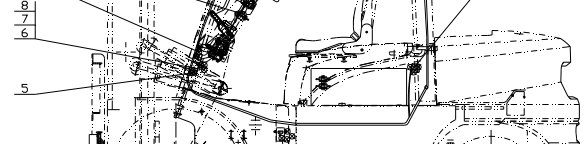

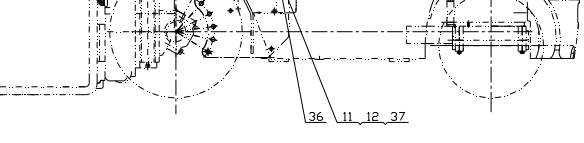
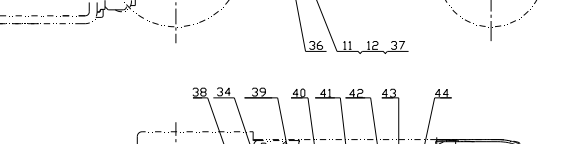
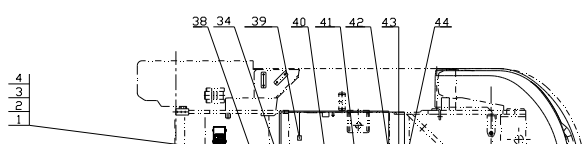
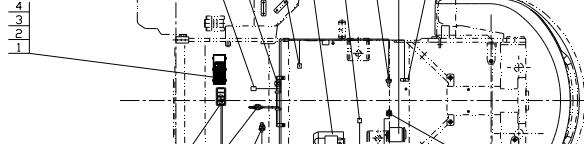
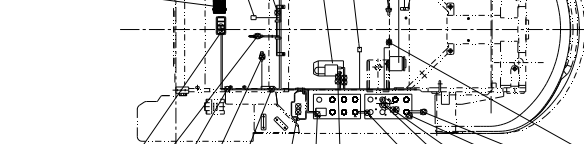
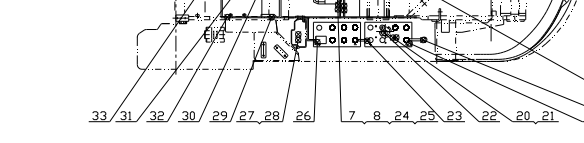
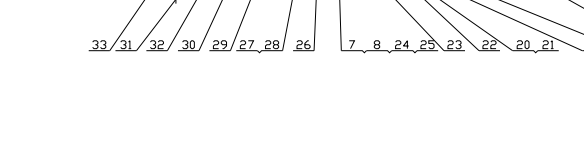



	序号 Item	物料码 Part NO.	名称 Description	数量 Qty	备注或适用车型 Remarks Or Serial NO.
	16	207600040100	后灯总成 Rear lamps assy	1	
	17	207900120046	倒车蜂鸣器 Reversing Buzzer	1	
	18	207700040004	蓄电池负极引线 Cable, Battery(-)	1	
	19	207500030002	少维护蓄电池 Battery, Low-Maintenance	2	
	20	300030140015	垫圈 5 Washer 5	5	
	21	300040170019	螺钉M5×12 Screw M5×12	5	
	22	207300010053	油量传感器 Fuel sensor	1	
	23	207700070010	蓄电池串联电线 Series wire.Battery	1	
	24	300010040165	螺栓M8×12 Bolt M8×12	2	
	25	207700100002	起动机接地线 Ground wire,Starter	1	
	26	207700060025	蓄电池正极引线 Cable, Battery(+)	1	
	27	310070030007	螺钉组件 Screw components	2	
	28	207400010219	控制盒总成 Control box assy	1	
	29	207900080013	捆线带 Tie line	20	
	30	207200090055	油温传感器 oil temperature sensor	1	

图7 电气系统
Fig.7 Electrical system

① CPCD40/45-XRW76 ② CPCD50-XRXW76

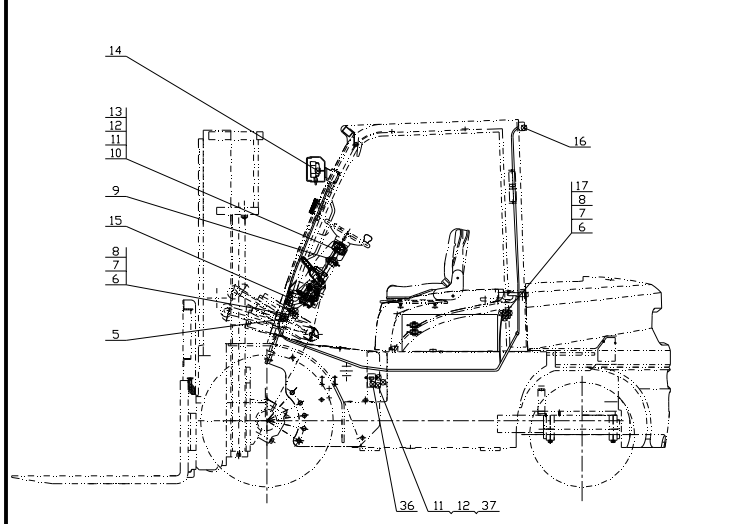
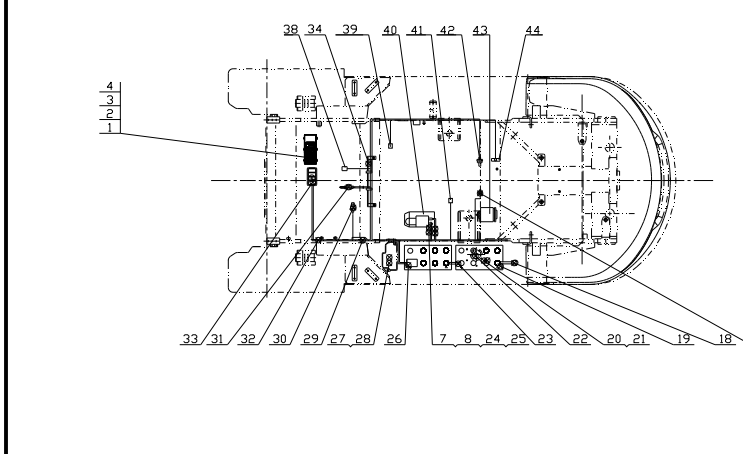
	序号 Item	物料码 Part NO.	名称 Description	数量 Qty	备注或适用车型 Remarks Or Serial NO.
	31	207200080035	制动灯开关 Brake switch	1	
	32	207100013195	车身主线束 Main wire-harness	1	
	33	207200060043	四卡翘板开关 Four Cards rocker switch	1	
	34	207100010462	主线束固定支架 Harness fixing support	1	
	35	207300050019	水温传感器 Water temp .sending unit	1	
	36	207400030013	预热定时器 Preheat Timer	1	
	37	300040070032	螺钉 M5×16 Screw M5×16	3	
	38		换向电磁阀 Electromagnetic reversing	1	变速箱配 Supply by transmission box
	39		油水分离报警器 Oil water separating alarm	1	发动机配套 Supply by engine
	40		起动机 Starter	1	发动机配套 Supply by engine
	41		油压报警器 Hydraulic Oil alarm	1	发动机配套 Supply by engine
	42		燃油供给泵 Fuel Supply Pump	1	发动机配套 Supply by engine
	43		发电机 Alternator	1	发动机配套 Supply by engine
	44		预热塞 Glow plug	1	发动机配套 Supply by engine

图8 电气系统
Fig.8 Electrical system

Ⓜ CPCD40/45-XRG73 Ⓝ CPCD50-XRXG73

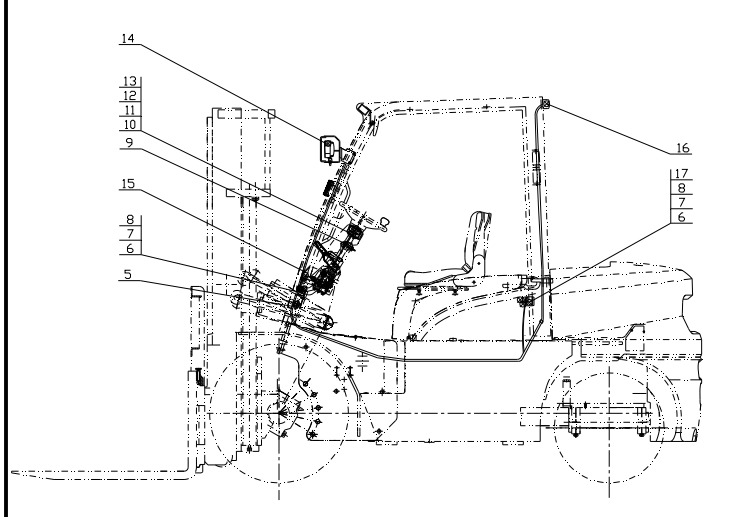
	序号 Item	物料码 Part NO.	名称 Description	数量 Qty	备注或适用车型 Remarks Or Serial NO.
	1	207900050174	仪表总成 Instrument assy	1	见图VII, See Fig. VII
	2	300030040011	垫圈 4 Washer 4	4	
	3	300030010012	垫圈 4 Washer 4	4	
	4	300040070036	螺钉 M4×12 Screw M4×12	1	
	5	207900130006	喇叭 Horn	1	
	6	300010120005	螺栓 M8×16 Bolt M8×16	5	
	7	300030010015	垫圈 8 Washer 8	7	
	8	300030040014	垫圈 8 Washer 8	4	
	9	207200030016	预热起动开关 Pre-heat & start switch	1	
	10	207200020075	组合开关总 Combination Switch assy	1	见图 V , See Fig. V
	11	300030010013	垫圈 5 Washer 5	4	
	12	300030040012	垫圈 5 Washer 5	4	
	13	300040070007	螺钉 M5×10 Screw M5×10	4	
	14	207600020169	前灯总成 Front lamp-assy	1	见图 I , See Fig. I
	15	207900080028	扎带 Tie	8	

图8 电气系统
Fig.8 Electrical system

Ⓜ CPCD40/45-XRG73 Ⓝ CPCD50-XRXG73

	序号 Item	物料码 Part NO.	名称 Description	数量 Qty	备注或适用车型 Remarks Or Serial NO.
	16	207600040099	后灯总成 Rear lamps assy	1	
	17	207900120038	倒车蜂鸣器 Reversing Buzzer	1	
	18	207700040004	蓄电池负极引线 Cable, Battery(-)	1	
	19	207500010028	免维护蓄电池 Battery, Free-Maintenance	2	12V60Ah
	20	300030140015	垫圈 5 Washer 5	5	
	21	300040170019	螺钉M5×12 Screw M5×12	5	
	22	207300010053	油量传感器 Fuel sensor	1	
	23	300010040165	螺栓M8×12 Bolt M8×12	2	
	24	207700100002	起动机接地线 Ground wire, Starter	1	
	25	207700060025	蓄电池正极引线 Cable, Battery(+)	1	
	26	310070030007	螺钉组件 Screw components	2	
	27	207400010220	控制盒总成 Control box assy	1	见图III A1, See Fig. III A1
	28	207900080013	捆线带 Tie line	20	
	29	207200090055	油温报警器 Fuel temperature warning	1	
	30	207200080035	制动灯开关 Brake switch	1	

图8 电气系统
Fig.8 Electrical system

Ⓜ CPCD40/45-XRG73 Ⓝ CPCD50-XRXG73

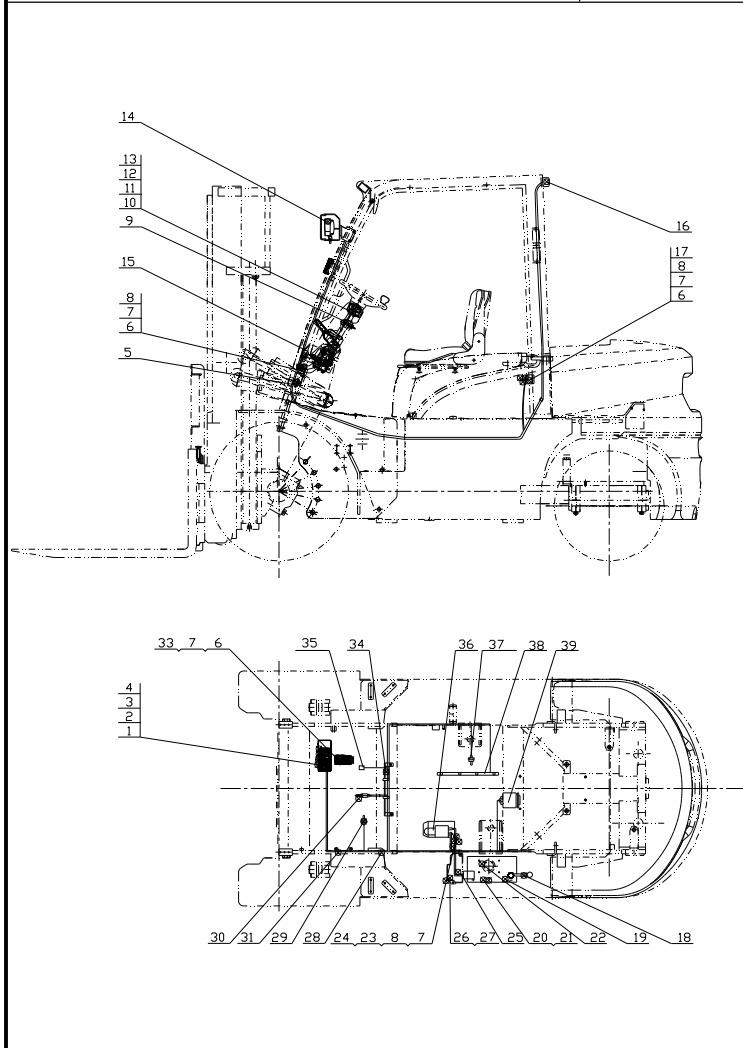
	序号 Item	物料码 Part NO.	名称 Description	数量 Qty	备注或适用车型 Remarks Or Serial NO.
	31	207100012682	车身主线束 Main wire-harness	1	
	33	207900310005	油门踏板 Accelerator pedal	1	
	34	207100010462	主线束固定支架 Harness fixing support	1	
	35		换向电磁阀 Electromagnetic reversing valves	1	变速箱配 Supply by transmission box
	36		起动机 Starter	1	发动机配套 Supply by engine
	37		水温传感器 Water temp .sending unit	1	发动机配套 Supply by engine
	38		预热塞 Glow plug	1	发动机配套 Supply by engine
	39		发电机 Alternator	1	发动机配套 Supply by engine

图9 电气系统
Fig.9 Electrical system

Ⓜ1 CPC40/45-XRG73

Ⓜ1 CPC50-XRXG73

序号 Item	物料码 Part NO.	名称 Description	数量 Qty	备注或适用车型 Remarks Or Serial NO.
1	207900050174	仪表总成 Instrument assy	1	见图VII, See Fig. VII
2	300030040011	垫圈 4 Washer 4	4	
3	300030010012	垫圈 4 Washer 4	4	
4	300040070036	螺钉 M4×12 Screw M4×12	1	
5	207900130006	喇叭 Horn	1	
6	300010120005	螺栓 M8×16 Bolt M8×16	5	
7	300030010015	垫圈 8 Washer 8	7	
8	300030040014	垫圈 8 Washer 8	4	
9	207200030016	预热起动开关 Pre-heat & start switch	1	
10	300030010013	垫圈 5 Washer 5	4	
11	300030040012	垫圈 5 Washer 5	4	
12	300040070007	螺钉 M5×10 Screw M5×10	4	
13	207200020092	转向灯开关 Steering lamp switch	1	见图VIII, See Fig. VIII
14	207600020169	前灯总成 Front lamp-assy	1	见图 I , See Fig. I
15	207900080028	扎带 Tie	8	

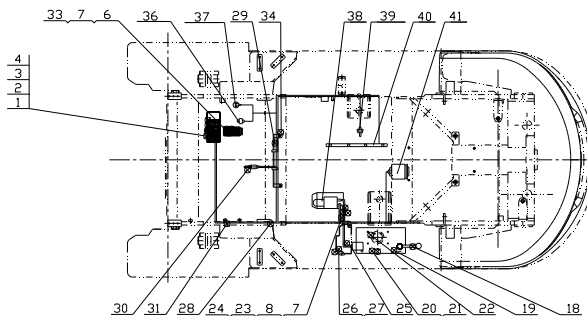
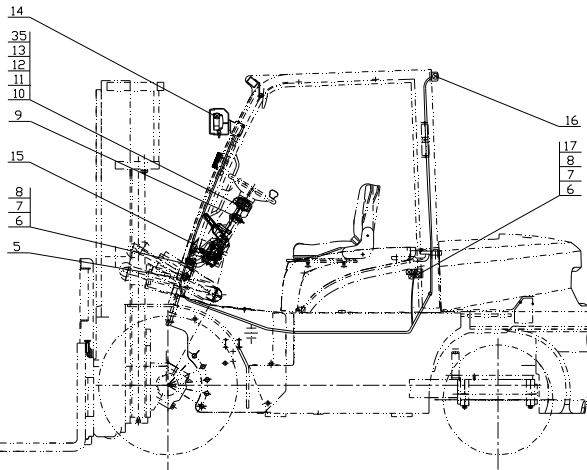


图9 电气系统
Fig.9 Electrical system

Ⓜ1 CPC40/45-XRG73

Ⓜ1 CPC50-XRXG73

序号 Item	物料码 Part NO.	名称 Description	数量 Qty	备注或适用车型 Remarks Or Serial NO.
16	207600040099	后灯总成 Rear lamps assy	1	
17	207900120038	倒车蜂鸣器 Reversing Buzzer	1	
18	207700040004	蓄电池负极引线 Cable, Battery(-)	1	
19	207500010028	免维护蓄电池 Battery, Free-Maintenance	2	12V60Ah
20	300030140015	垫圈 5 Washer 5	5	
21	300040170019	螺钉M5×12 Screw M5×12	5	
22	207300010053	油量传感器 Fuel sensor	1	
23	300010040165	螺栓M8×12 Bolt M8×12	2	
24	207700100002	起动机接地线 Ground wire, Starter	1	
25	207700060025	蓄电池正极引线 Cable, Battery(+)	1	
26	310070030007	螺钉组件 Screw components	2	
27	207400010239	控制盒总成 Control box assy	1	见图III A1, See Fig. III A1
28	207900080013	捆线带 Tie line	20	
29	207900200143	线束支架 Harness bracket	1	
30	207200080035	制动灯开关 Brake switch	1	

图9 电气系统
Fig.9 Electrical system

Ⓜ1 CPC40/45-XRG73

Ⓜ1 CPC50-XRXG73

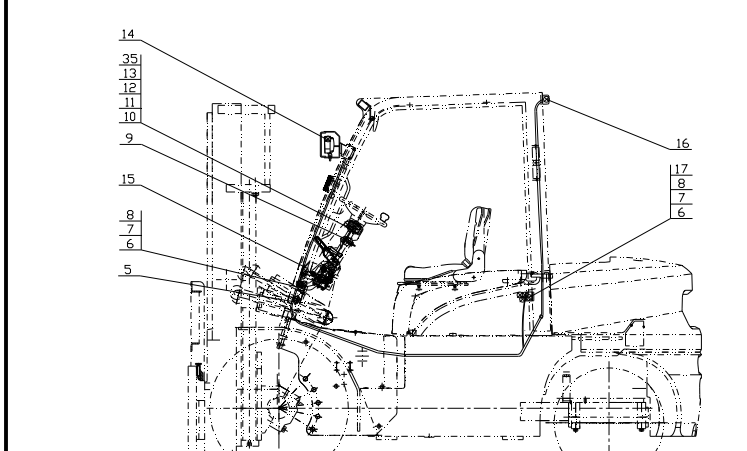
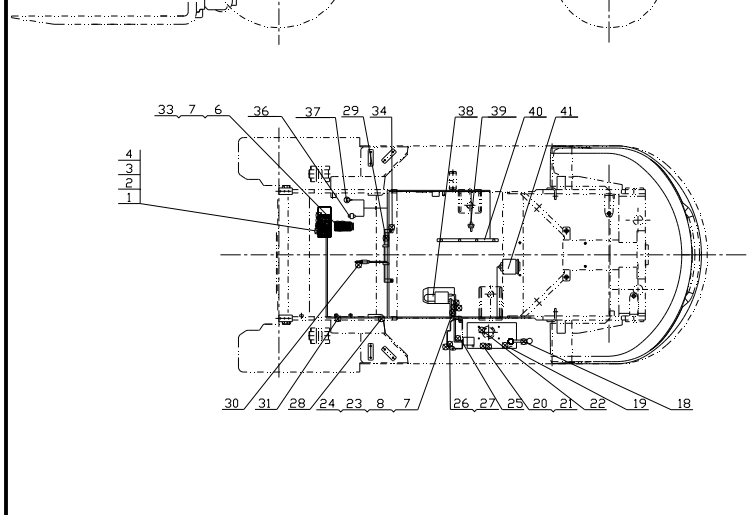
	序号 Item	物料码 Part NO.	名称 Description	数量 Qty	备注或适用车型 Remarks Or Serial NO.
	31	207100012921	车身主线束 Main wire-harness	1	
	33	207900310005	油门踏板 Accelerator pedal	1	
	34	207100010462	抱箍 Hoop	2	
	35	207900060110	盖子 cover	1	
	36		倒车灯开关 Backup light switch	1	变速箱配 Supply by transmission box
	37		空档起步开关 Neutral start switch	1	变速箱配 Supply by transmission box
	38		起动机 Starter	1	发动机配套 Supply by engine
	39		水温传感器 Water temp .sending unit	1	发动机配套 Supply by engine
	40		预热塞 Glow plug	1	发动机配套 Supply by engine
	41		发电机 Alternator		发动机配套 Supply by engine

图9 电气系统
Fig.9 Electrical system

Ⓜ1 CPC40/45-XRG73

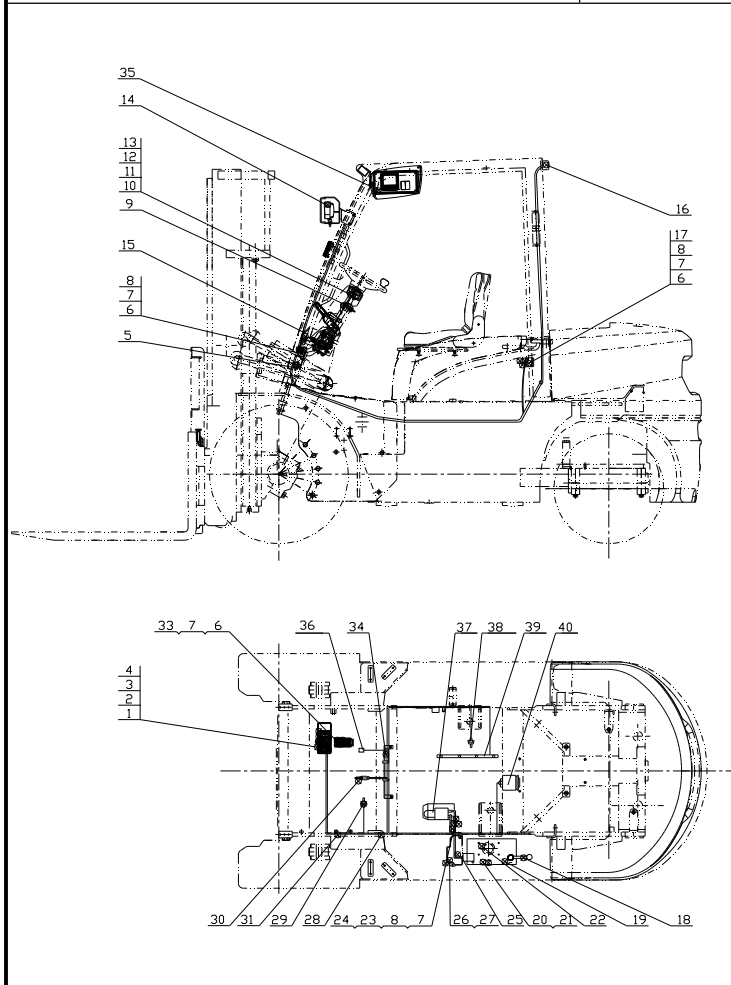
Ⓜ1 CPC50-XRXG73

	序号 Item	物料码 Part NO.	名称 Description	数量 Qty	备注或适用车型 Remarks Or Serial NO.
	1	207900050174	仪表总成 Instrument assy	1	见图VII, See Fig. VII
	2	300030040011	垫圈 4 Washer 4	4	
	3	300030010012	垫圈 4 Washer 4	4	
	4	300040070036	螺钉 M4×12 Screw M4×12	1	
	5	207900130006	喇叭 Horn	1	
	6	300010120005	螺栓 M8×16 Bolt M8×16	5	
	7	300030010015	垫圈 8 Washer 8	7	
	8	300030040014	垫圈 8 Washer 8	4	
	9	207200030016	预热起动开关 Pre-heat & start switch	1	
	10	207200020075	组合开关总成 Combination Switch assy		
	11	300030010013	垫圈 5 Washer 5	4	
	12	300030040012	垫圈 5 Washer 5	4	
	13	300040070007	螺钉 M5×10 Screw M5×10	4	
	14	207600020169	前灯总成 Front lamp-assy	1	
	15	207900080028	扎带 Tie	8	

图9 电气系统
Fig.9 Electrical system

Ⓜ1 CPC40/45-XRG73

Ⓜ1 CPC50-XRXG73



序号 Item	物料码 Part NO.	名称 Description	数量 Qty	备注或适用车型 Remarks Or Serial NO.
16	207600040099	后灯总成 Rear lamps assy	1	
17	207900120038	倒车蜂鸣器 Reversing Buzzer	1	
18	207700040004	蓄电池负极引线 Cable, Battery(-)	1	
19	207500010028	免维护蓄电池 Battery, Free-Maintenance	2	12V60Ah
20	300030140015	垫圈 5 Washer 5	5	
21	300040170019	螺钉M5×12 Screw M5×12	5	
22	207300010053	油量传感器 Fuel sensor	1	
23	300010040165	螺栓M8×12 Bolt M8×12	2	
24	207700100002	起动机接地线 Ground wire, Starter	1	
25	207700060025	蓄电池正极引线 Cable, Battery(+)	1	
26	310070030007	螺钉组件 Screw components	2	
27	207400010239	控制盒总成 Control box assy	1	见图III A1, See Fig. III A1
28	207900080013	捆线带 Tie line	20	
29	207900200143	线束支架 Harness bracket	1	

图9 电气系统
Fig.9 Electrical system

Ⓜ1 CPC40/45-XRG73

Ⓜ1 CPC50-XRXG73

序号 Item	物料码 Part NO.	名称 Description	数量 Qty	备注或适用车型 Remarks Or Serial NO.
30	207200080035	制动灯开关 Brake switch	1	
31	207100014116	车身主线束 Main wire-harness	1	
33	207900310005	油门踏板 Accelerator pedal	1	
34	207100010462	主线束固定支架 Harness fixing support	1	
35	207900090136	CAN 仪表总成 Instrument assy, CAN	1	
36		换向电磁阀 Electromagnetic reversing valves	1	变速箱配 Supply by transmission box
37		起动机 Starter	1	发动机配套 Supply by engine
38		水温传感器 Water temp .sending unit	1	发动机配套 Supply by engine
39		预热塞 Glow plug	1	发动机配套 Supply by engine
40		发电机 Alternator	1	发动机配套 Supply by engine
41		发电机 Alternator		发动机配套 Supply by engine

