



# Lonking Forklift Parts Catalog

## 8-10T Diesel Powered Forklift Parts Manual For Lonking LG80DT LG100DT Counterbalance Forklift Trucks

Lonking Holdings Limited, ranked among the top 50 global construction machinery enterprises, is a leading company in the construction machinery industry. Established in 1993, Lonking has continuously expanded its scale. The company's four main products—loaders, excavators, forklifts, and rollers—have advanced in sync, with key core components developing collaboratively. Lonking is highly trusted by users for its reliable quality products and excellent business reputation.

This parts manual applies to Lonking's LG80DT and LG100DT internal combustion counterbalanced forklifts. It aids users in identifying necessary parts for maintenance and replacement, providing information on part names, structures, and installation positions, and serving as a reference for ordering.



Anhui Leading Forklift Parts Co., Ltd.  
[www.leadingforkliftparts.com](http://www.leadingforkliftparts.com)  
[www.youtube.com/@leadingforkliftparts](https://www.youtube.com/@leadingforkliftparts)

## 说明

本零件图册适用于我厂生产的LG80DT、LG100DT内燃平衡重式叉车，以便用户在修理更换叉车零部件时，从中查找出所需的零件名称、结构及安装位置，并作为订货参考。

在订货时，必须说明原叉车的型号及出厂日期，并根据本图册，说明零件的详细名称、标号、数量及完整的代号。

我公司叉车根据用户和生产发展，将不断地进行改进，故图册内容可能在一定的时期将有更动，待再版时予以修改，敬请用户注意。

本图册不可避免的存在缺点，我们热诚欢迎用户提出宝贵意见。

2009年9月

## Introduction

This parts catalogue is applied for the LG80DT、LG100DT balancweight type forklift by our plant. It is intended for users to identify the description, the structure and the assembling location of the parts replaced or rep-aired, and to put order on them.

When ordering parts, it is necessary to state the model of the forklift, and manufacturing date, and the description, specification, quantity and code based on this parts book.

Owing to the rapid development of the technology and our continual improvement of product, the information contained in this book may be changed without notice.

For improving our work, customers are sincerely requested to give us comments and suggestions.

Sept. 2009

查询方法:

- 1.在目录中找到相应的系统或总成;
- 2.翻至所标页数,找到该图;
- 3.在其图中找出所需零部件,以及它所标注的序号;
- 4.根据这个序号,在其后附表中可以查到系统或零件的详细信息.

订购零部件时,务请写清叉车的型号,出厂编号,所需零部件的图号及订购数量.

维修时,请使用原厂家提供的零部件,以确保叉车质量.

Indexing Way:

- 1.Find out the indexing for the system or assembly;
- 2.According to above page, find out the detail drawing for the system or assembly required;
- 3.From the detail drawing, find out the parts and their item numbers;
- 4.According to these item numbers, find out details of these parts of the system or assembly from attached table.

When ordering the parts or components, please indicate the model and series numbers of parts or components you require and their quantity.

When you replace parts or components, please apply the real goods made by our company to ensure the truck's quality.

## 目录/Contents

发动机总成/Engine assembly .....	1
LG80DT\LG100DT	
冷却系统/Cooling system .....	3
LG80DT\LG100DT	
排气系统/Exhaust system .....	5
LG80DT\LG100DT	
进气系统/Air intake system.....	7
LG80DT\LG100DT	
燃油系统/Fuel system .....	9
LG80DT\LG100DT	
驱桥系统/Drive axle system .....	11
LG80DT\LG100DT	
驱动轮总成/Drive wheel assembly .....	13
LG80DT\LG100DT	
变速箱总成/Transmission assembly .....	15
LG80DT\LG100DT	
变速操纵总成/Transmission control assembly .....	17
LG80DT\LG100DT	
转向操纵总成/Steering control assembly .....	21
LG80DT\LG100DT	
转向桥/Steering axle .....	25
LG80DT\LG100DT	
转向轮/Steering wheel .....	29
LG80DT\LG100DT	
油门操纵总成/Accelerator pedal assembly .....	31
LG80DT\LG100DT	
熄火操纵/Flameout control .....	33
LG80DT\LG100DT	
行车制动与微动操纵/Brake&inching control .....	35
LG80DT\LG100DT	
停车制动操纵/Parking brake control .....	37
LG80DT\LG100DT	
车架/Frame .....	39
LG80DT\LG100DT	
覆盖件系统/Mantle system .....	41
LG80DT\LG100DT	
锁扣总成/Locking assembly .....	45
LG80DT\LG100DT	
门架(基本型)/Mast (normal mast) .....	47
LG80DT\LG100DT	
门架(基本型)/Mast (normal mast) .....	49
LG80DT\LG100DT	
货叉及货叉架(基本型)/Fork & Lift bracket(normal mast) .....	51
LG100DT	
货叉及货叉架/Fork & Lift bracket .....	53
LG80DT	
调距油缸/Cylinder( distance adjusting) .....	55
LG100DT	
起升油缸/ Lift cylinder .....	57
LG80DT\LG100DT	

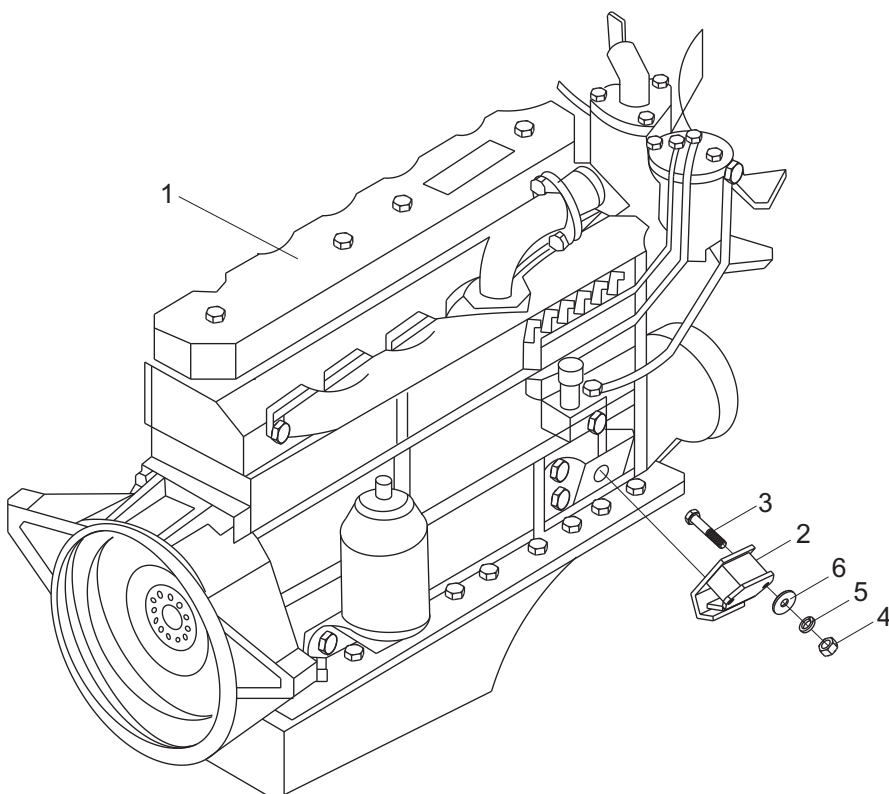
## 目录/Contents

起升油缸/ Lift cylinder .....59 LG80DT\LG100DT	59
倾斜油缸/Lilt cylinder .....61 LG80DT\LG100DT	61
倾斜油缸/Lilt cylinder .....63 LG80DT\LG100DT	63
调距管路系统/Adjust distance pipeline system .....65 LG100DT	65
多路阀操纵(四联)/Multi-way valve control( four-throw) .....67 LG80DT\LG100DT	67
液压系统/Hydraulic system .....69 LG80DT\LG100DT	69
液压油箱/Hydraulic oil tank .....75 LG80DT\LG100DT	75
制动管路系统/Brake pipe system .....77 LG80DT\LG100DT	77
护顶架/Overhead guard .....81 LG80DT\LG100DT	81
电气系统/Electric system .....83 LG80DT\LG100DT	83
蓄电池安装/Battery mount .....87 LG80DT\LG100DT	87
标牌/Decal .....89 LG80DT\LG100DT	89



# 发动机总成/Engine assembly

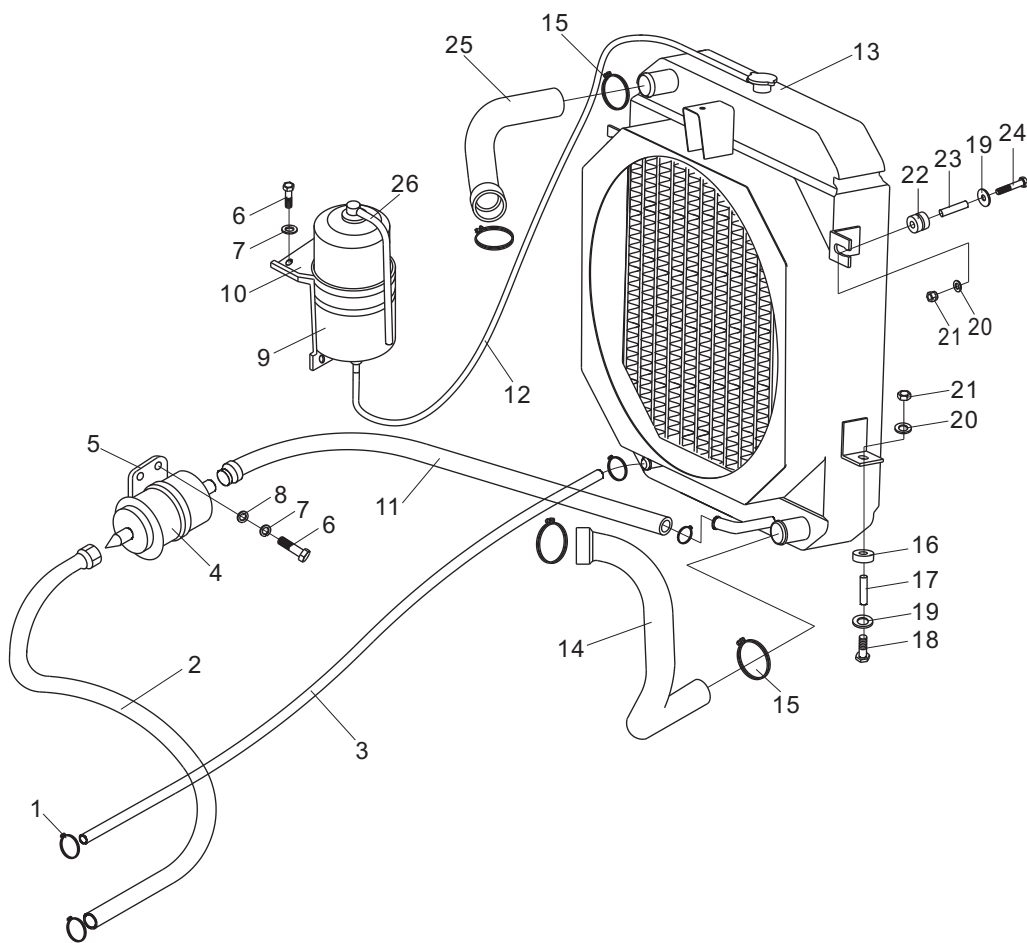
LG80DT、LG100DT





# 冷却系统 / Cooling system

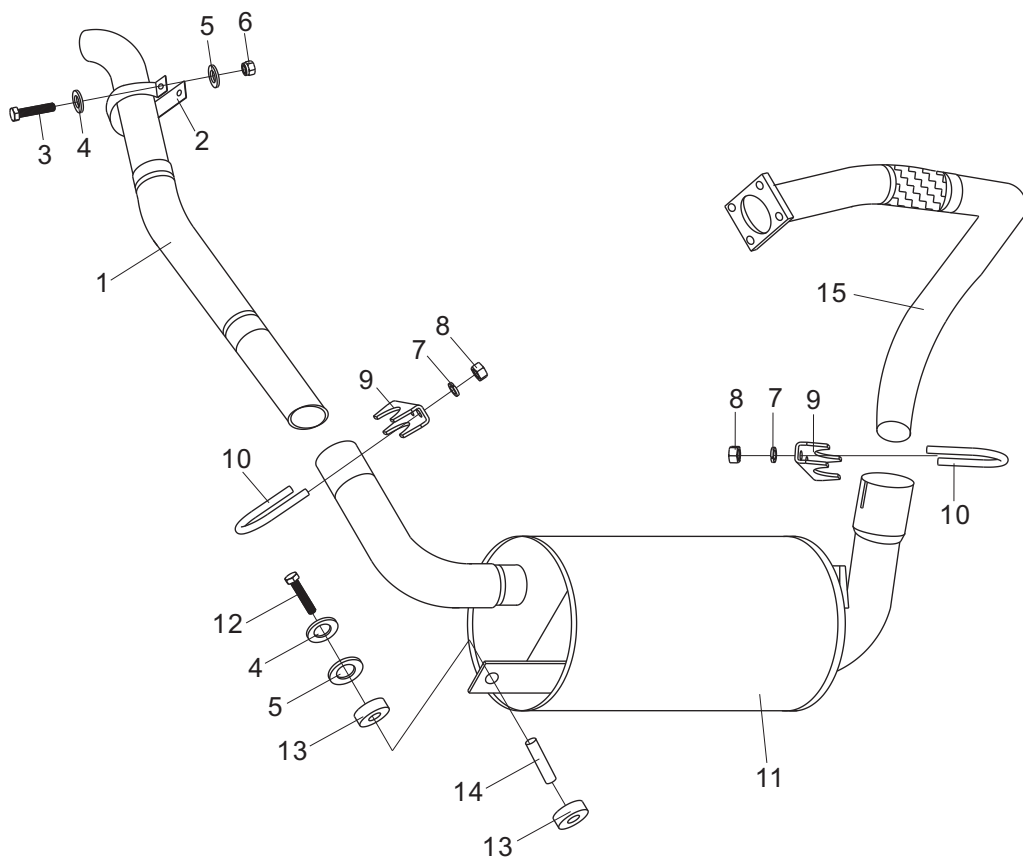
LG80DT、LG100DT





# 排气系统/Exhaust system

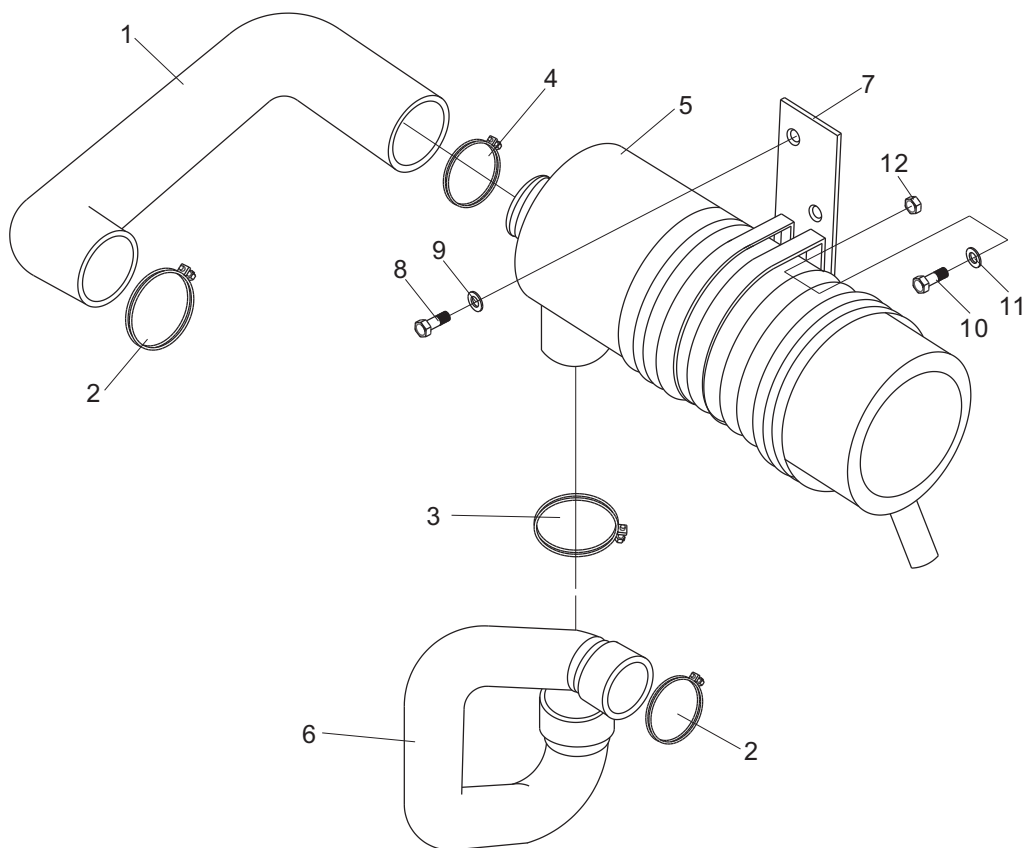
LG80DT、LG100DT





# 进气系统/Air intake system

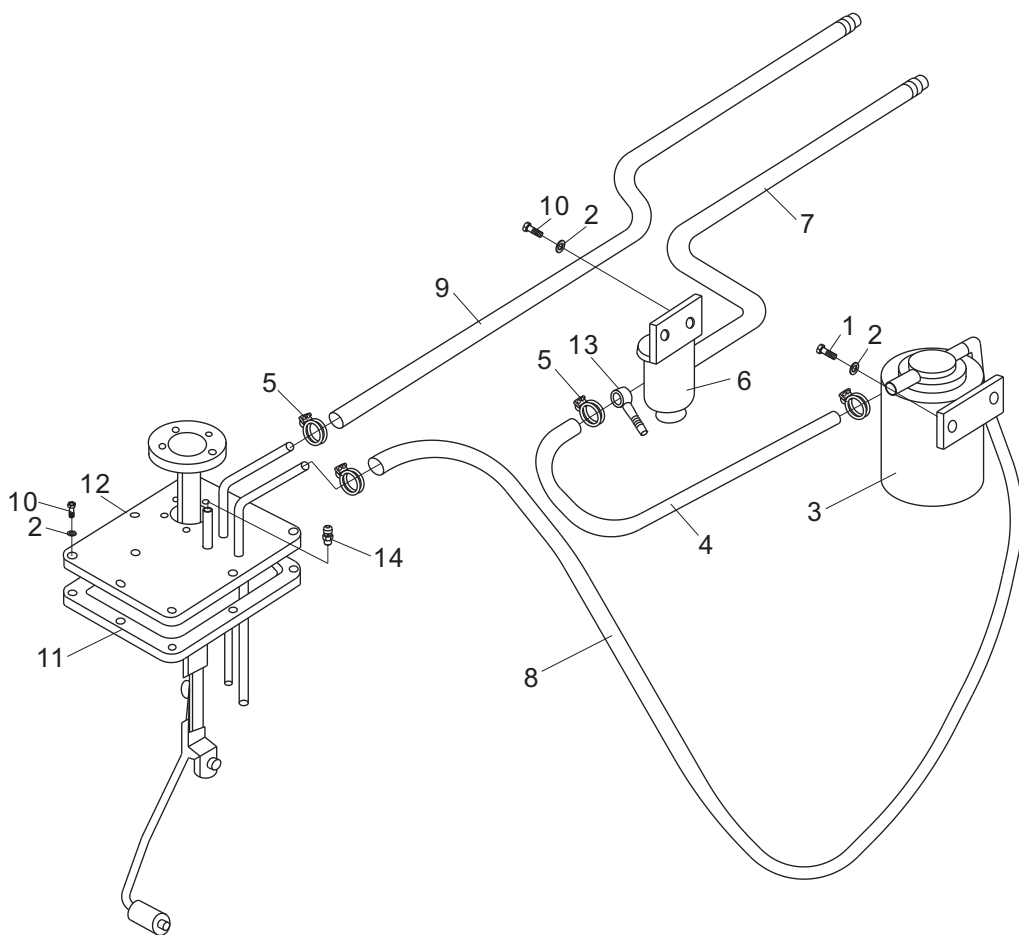
LG800DT、LG100DT





# 燃油系统/Fuel system

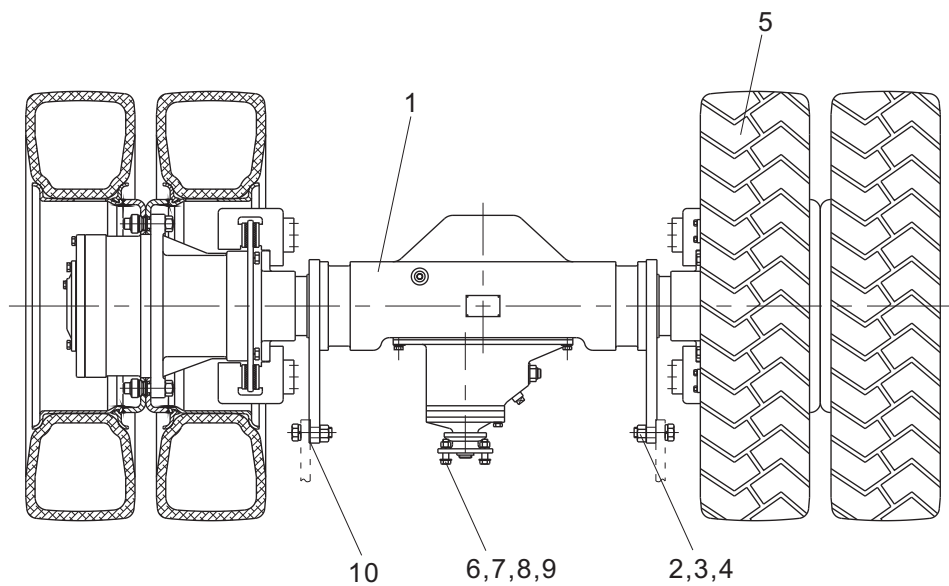
LG800DT、LG100DT





## 驱动桥系统/Drive axle system

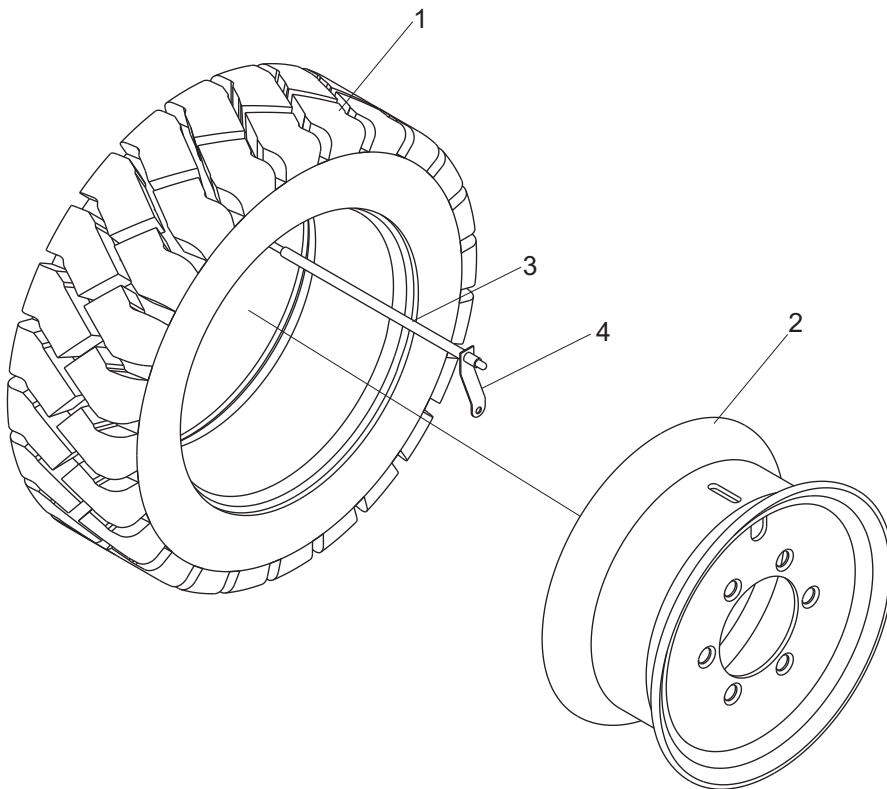
LG80DT、LG100DT





## 驱动轮总成/Drive wheel assembly

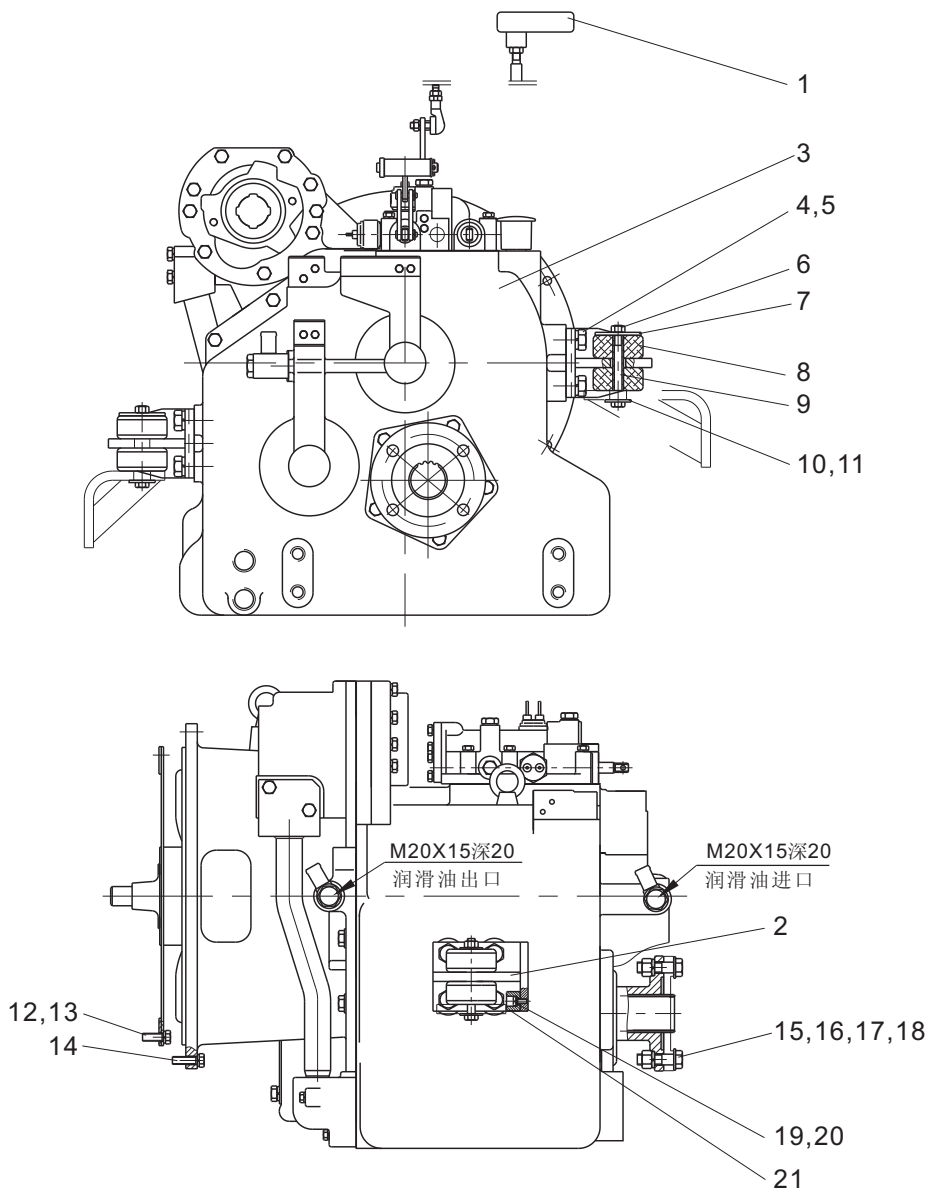
LG80DT、LG100DT





# 变速箱总成/Transmission assembly

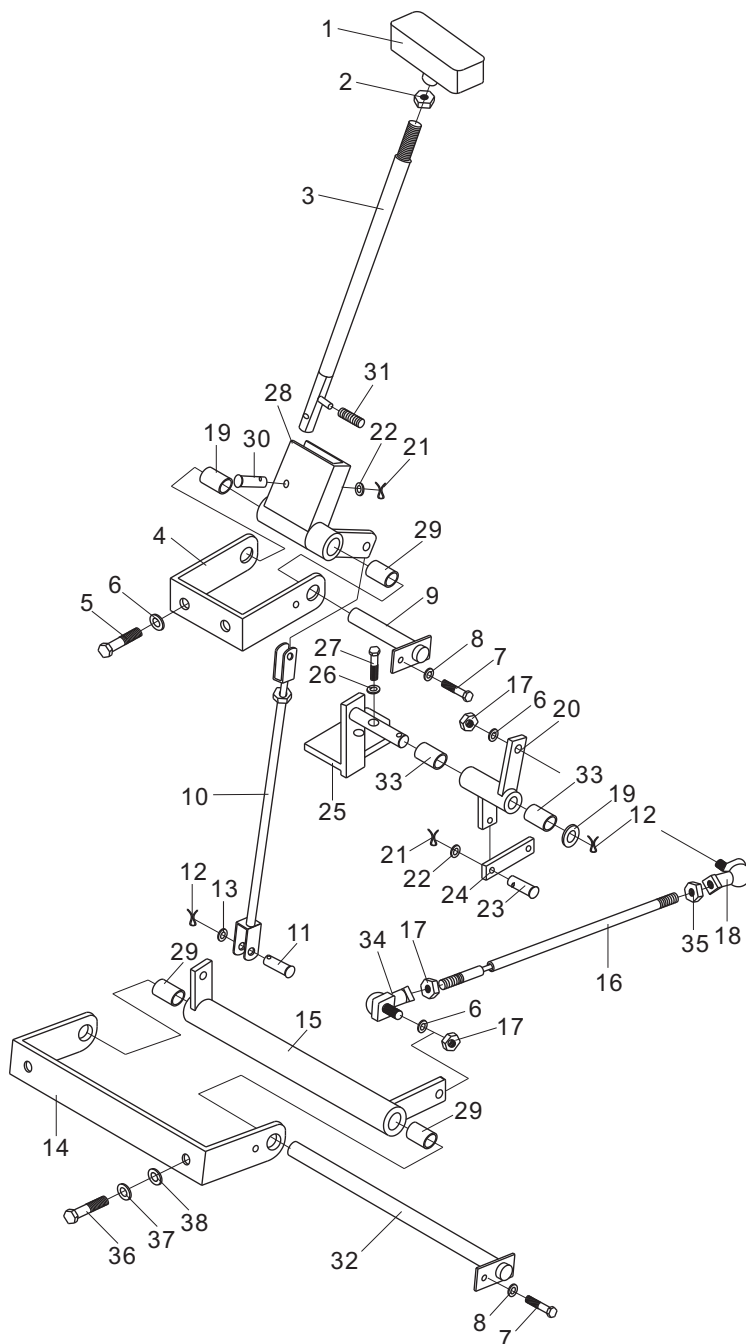
LG80DT、LG100DT





# 变速操纵总成/Transmission control assembly

LG80DT、LG100DT

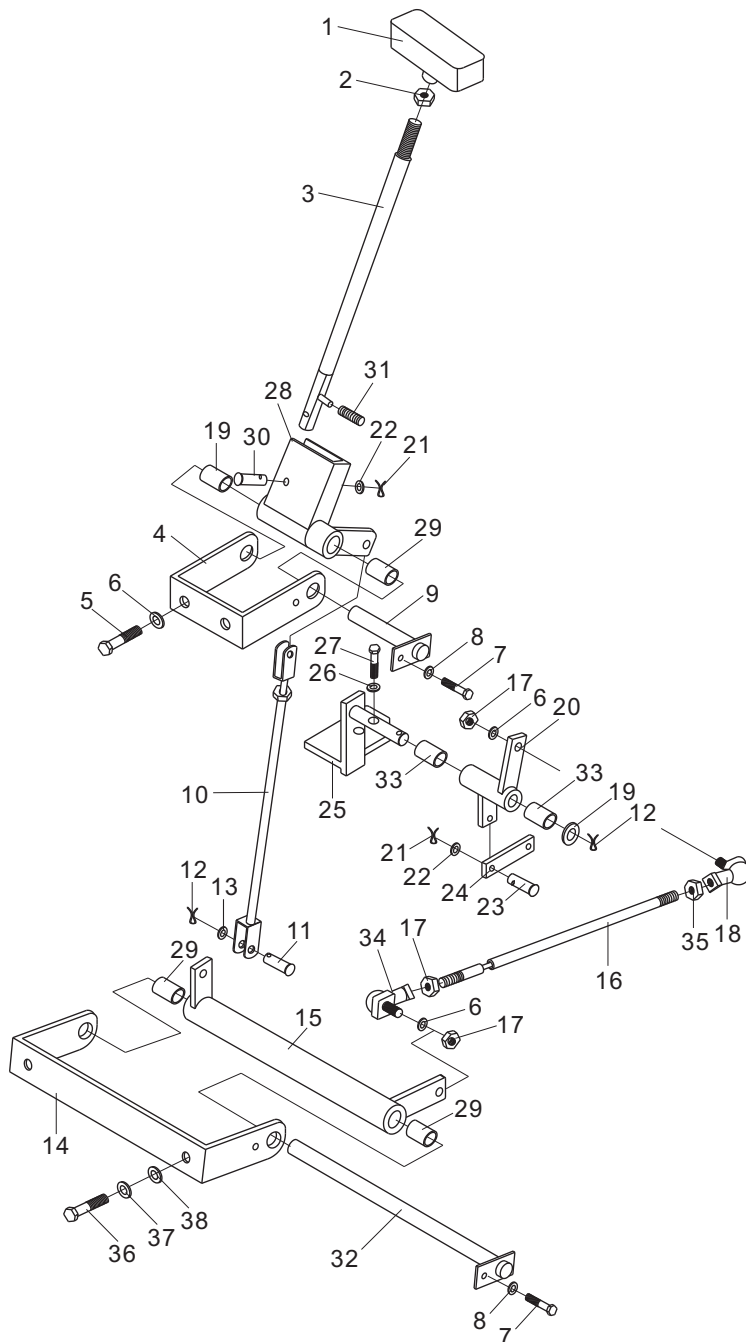


## 变速操纵总成/Transmission control assembly

序号 Item No	图号 Part No	零部件名称 Description	数量 Q'ty	备注 Remark
01	A24K3-90011	手柄 Handle	1	
02	GB6172-1986	螺母M10X1.5 Nut M10×1.5	1	
03	H43E3-90313	操纵杆 Control rod	1	
04	H43E3-90202	支架（上） Bracket (upper)	1	
05	GB5783-2000	螺栓M8X25 Bolt M8×25	4	
06	GB93-1987	垫圈8 Wasehr 8	7	
07	GB5783-2000	螺栓M6X12 Bolt M6×12	2	
08	GB93-1987	垫圈6 Washer 6	2	
09	H43E3-90212	销轴总成 Shaft assembly	1	
10	H43E3-90242	连杆 Rod	1	
11	GB882-1986	销B8X18 Pin B8×18	2	
12	GB91-1986	销3.2X26 Pin 3.2×26	3	
13	GB97.1-1985	垫圈8 Washer 8	3	
14	H43E3-90252	支架（下） Bracket (lower)	1	
15	H43E3-90272	联轴 Shaft	1	
16	H43E3-92102	连杆 Rod	1	
17	GB6172-1986	螺母M8 Nut M8	3	
18	HRA23F390624357-42121G	弯杆型球头端关节轴承 Bearing	1	
19	GB97.1-1985	垫圈10 Wasehr 10	1	
20	H43E3-90292	摇臂 Boss	1	
21	GB/T91-2000	开口销2X10 Pin 2×10	3	
22	GB/T97.1-2002	垫圈6 Washer 6	3	
23	GB/T882-1986	销B6X26 Pin B6×26	3	
24	LG0100DT.02.03.01-001	连板 Board	2	
25	25783-92112	支架 Bracket	1	
26	GB/T93-1987	垫圈10 Washer 10	5	
27	GB5786-2000	螺栓M10X1.25X20 Bolt M10×1.25×20	2	
28	H43E3-90232	连轴 Shaft	1	
29	Z2131-01625	钢背轴承1625 Bearing 1625	4	
30	GB/T882-1986	销B6X35 Pin B6×35	1	
31	H43E3-92122	弹簧 Spring	1	
32	H43E3-90302	销轴总成 Shaft assembly	1	

# 变速操纵总成/Transmission control assembly

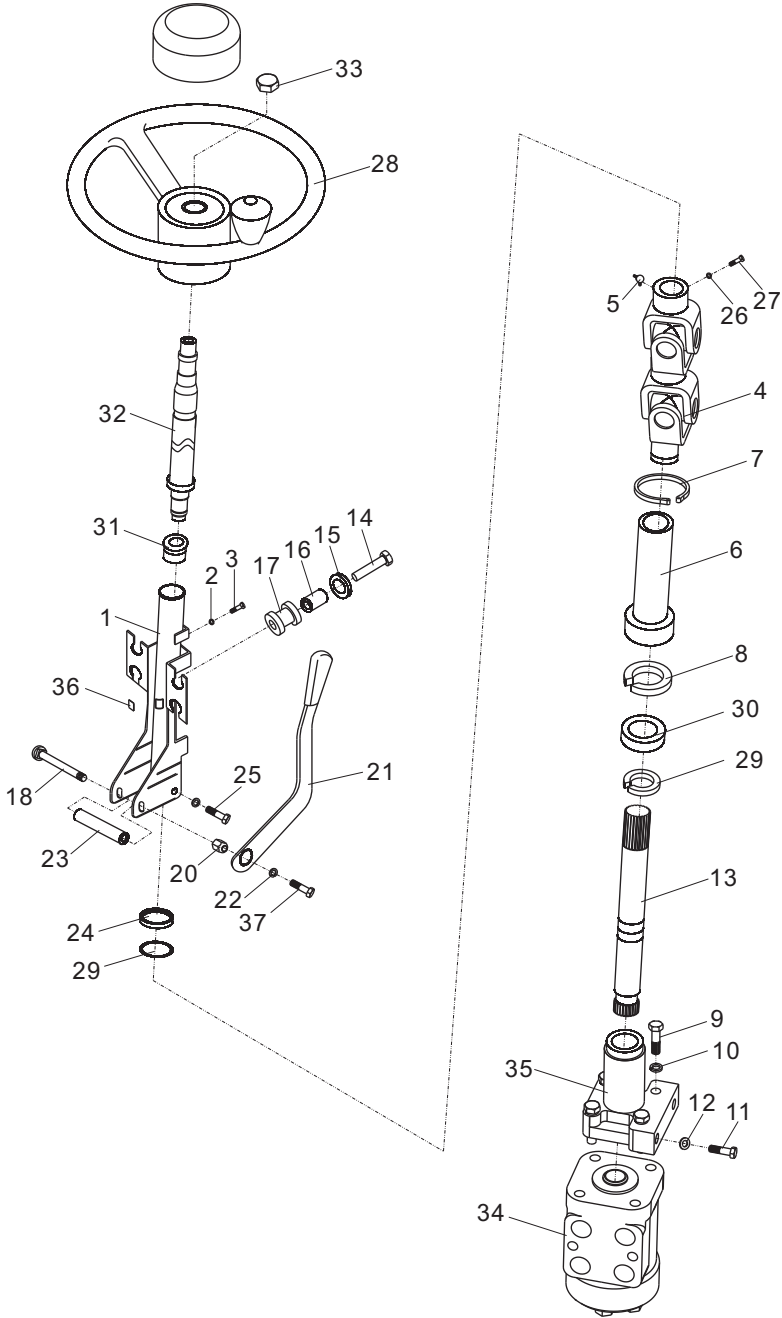
LG80DT、LG100DT





# 转向操纵总成/Steering control assembly

LG80DT、LG100DT

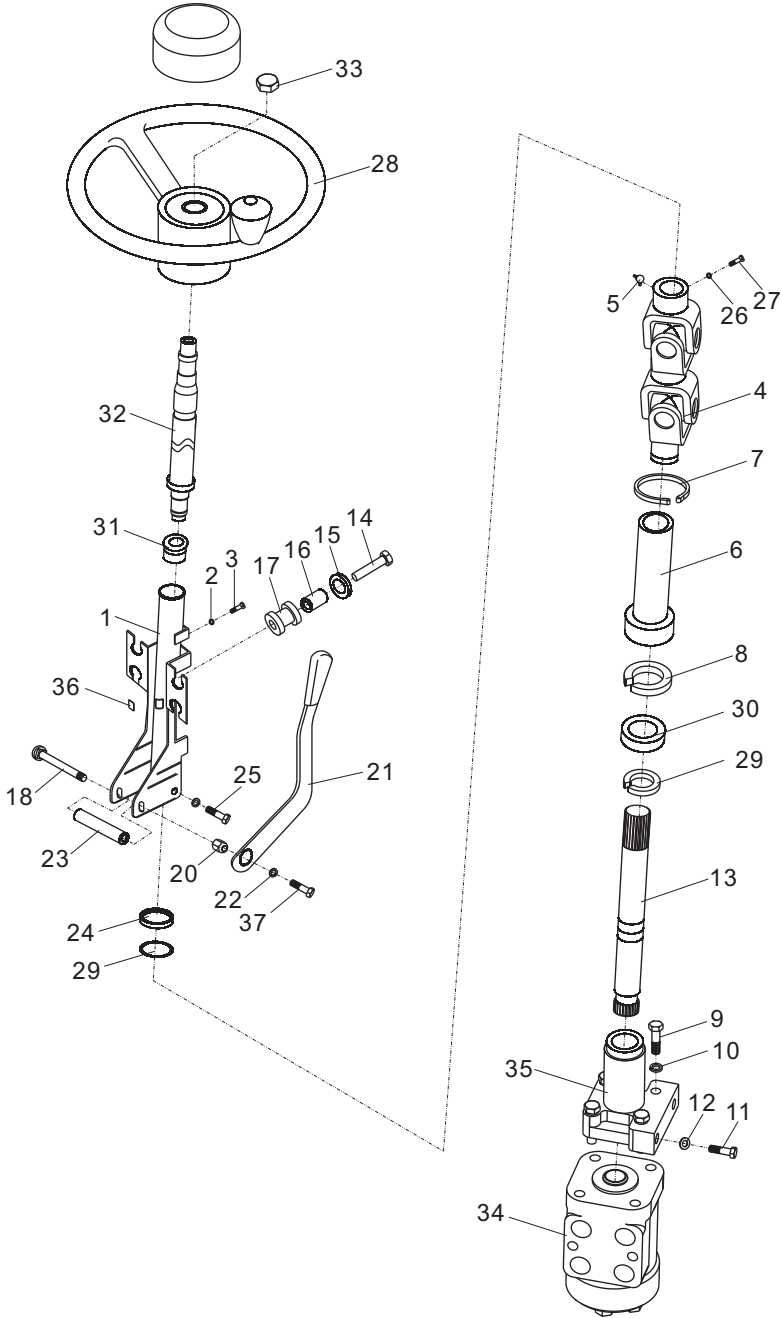


## 转向操纵总成/Steering control assembly

序号 Item No	图 号 Part No	零部件名称 Description	数量 Q'ty	备 注 Remark
01	H24C4-10211	转向管柱 Column	1	
02	GB/T97.1-2002	垫圈6 Washer 6	4	
03	GB/T65-2000	螺钉M6X12 Screw M6×12	4	
04	H43E4-10201	万向节总成 Gimbal assembly	1	
05	GB1152-74	油杯M10X1 Oil cup M10×1	1	
06	H24C4-02101	护套 Boot	1	
07	ZD-04015	捆扎带ZD4X150 Band ZD4×150	1	
08	GB893.1-86	弹簧挡圈37 Snap 37	1	
09	GB/T5782-2000	螺栓M10X45 Bolt M10×45	4	
10	GB/T93-1987	垫圈10 Washer 10	4	
11	GB/T5781-2000	螺栓M12X25 Bolt M12×25	2	
12	GB/T93-1987	垫圈12 Washer 12	2	
13	H43E4-12001	连接轴 Shaft	1	
14	GB/T5782-2000	螺栓M6X35 Bolt M6×35	4	
15	H24C4-12131	垫片 Shim	4	
16	A22A4-12111	套管 Pipe	4	
17	A22A4-12101	橡胶套 Rubber	4	
18	H24C4-12151	螺栓（左旋） Bolt	1	
19	H24C4-12161	套管 Pipe	1	
20	H24C4-12171	螺母 Nut	1	
21	H24C4-10501	手柄总成 Handle	1	
22	GB96-85	垫圈10 Washer 10	1	
23	H24C4-12191	螺栓M10X16（左旋） Bolt M10×16	1	
24	GB/T276-94	轴承61904-Z Bearing 61904-Z	1	
25	GB/T5789-1986	螺栓M10X25 Bolt M10×25	2	
26	GB/T93-1987	垫圈8 Washer 8	1	
27	GB/T5782-2000	螺栓M8X35 Bolt M8×35	1	
28	LG0100DT.03.02	方向盘总成 Handle shaft ass'y	1	
29	GB894.1-86	挡圈20 Snap 20	3	
30	GB/T276-94	轴承61904-2Z Bearing 61904-2Z	1	
31	A22A2-46001	上衬套总成 Spacer assembly	1	
32	A73J4-12052	转向轴 Shaft	1	

# 转向操纵总成/Steering control assembly

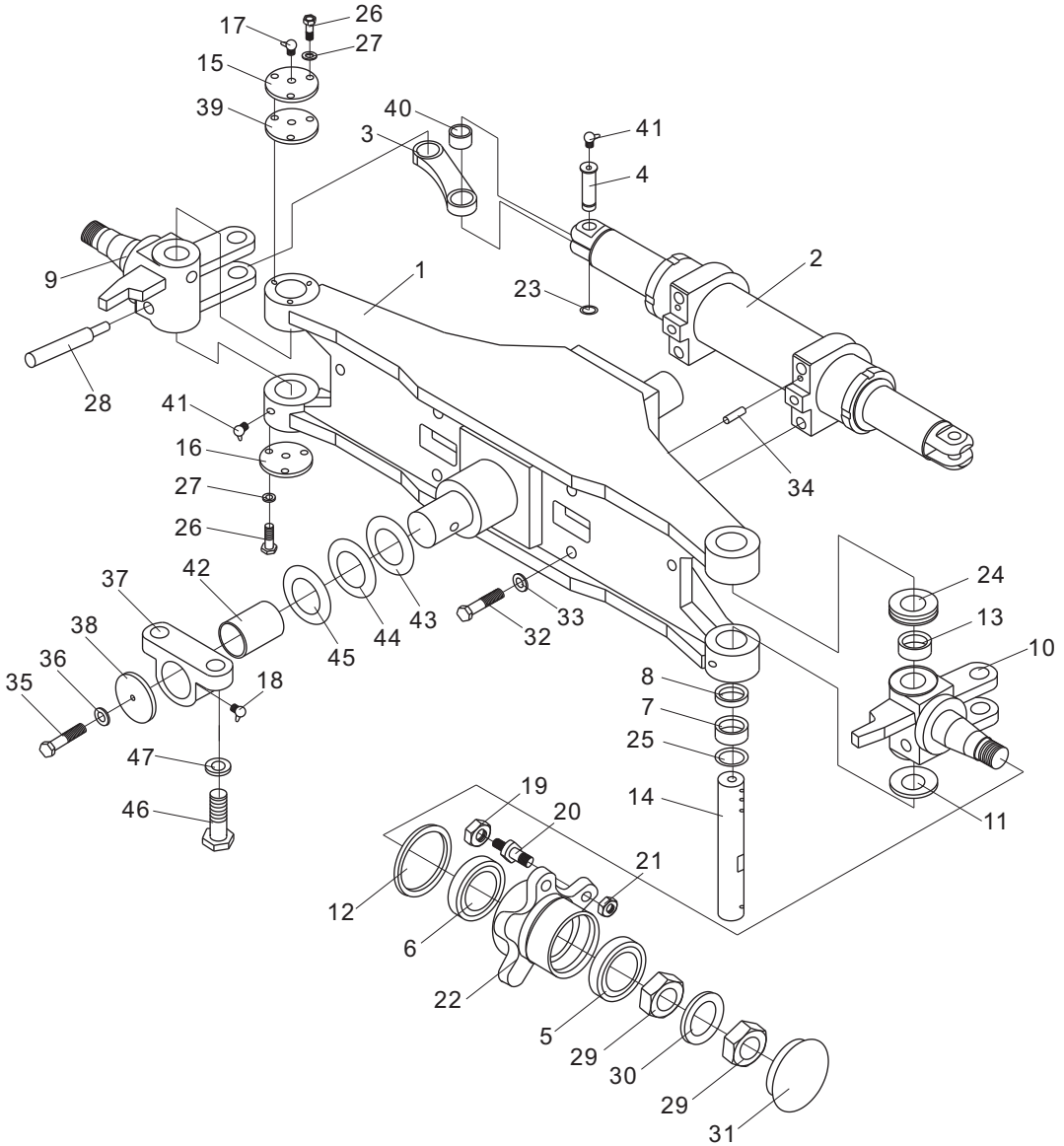
LG80DT、LG100DT





# 转向桥/Steering axle

LG80DT、LG100DT

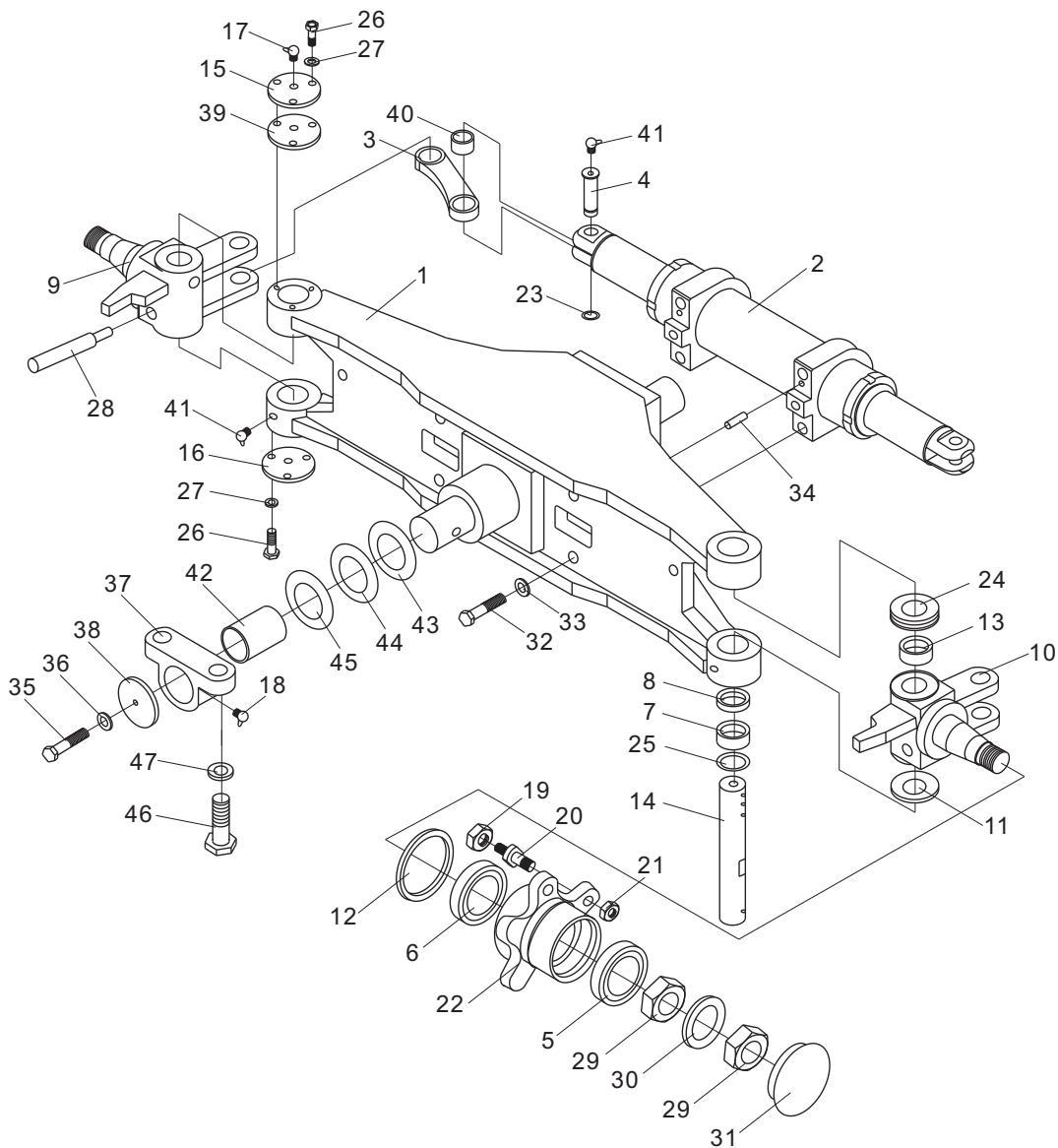


## 转向桥/Steering axle

序号 Item No	图 号 Part No	零部件名称 Description	数量 Q'ty	备 注 Remark
01	55902-40111	转向桥体 Axle	1	
02	A00J4-50501	转向油缸总成 Power cylinder	1	
03	25904-30401	连杆接头总成（右） Link assembly (right)	1	
	25904-30431	连杆接头总成（左） Link assembly (left)	1	
04	55902-42091A	销 Pin	2	
05	GB/T297-94	轴承32211 Bearing 32211	2	
06	GB/T297-94	轴承32215 Bearing 32215	2	
07	GB290-84	滚针轴承943/45 Bearing,needle 943/45	8	
08	25784-32151	隔套 Spacer	2	
09	55802-43021	右转向节 Knuckle (right)	1	
10	55802-43041	左转向节 Knuckle (left)	1	
11	25784-32161	调整垫 Adjusted shim	2	
12	HG4-692-67	油封PD95X130X12 Oil seal PD95×130×12	2	
13	25904-32041	衬套 Bushing	2	
14	55902-42101	转向节主销 Pin,king	2	
15	25784-32411	主销盖 Cap,hub	2	
16	25784-32141B	主销下盖 Cap,hub	2	
17	Q701B90	弯颈式润滑嘴 Fitting, grease	2	
18	Q701B	直通式润滑嘴 Fitting, grease	4	
19	GB6171-86	螺母M20X1.5 Nut M20×1.5	14	
20	24354-42301	轮毂螺栓 Bolt,hub	12	
21	25784-42121	轮毂螺母 Nut,hub	12	
22	25804-32291	转向轮毂 Hub	2	
23	GB983.1-86	挡圈35 Snap ring 35	2	
24	198911	止推轴承 Bearing	2	
25	25784-32111	油封55 Oil seal 55	2	
26	GB5783-86	螺栓M8X16 Bolt M8×16	12	
27	GB93-76	垫圈8 Washer 8	12	
28	20314-30161	锁紧销 Locking pin	2	
29	GB812-88	螺母M55X2 NUt M55×2	4	
30	GB858-76	止推垫圈55 Washer 55	2	
31	22654-32281	轮毂盖 Cap,hub	2	

# 转向桥/Steering axle

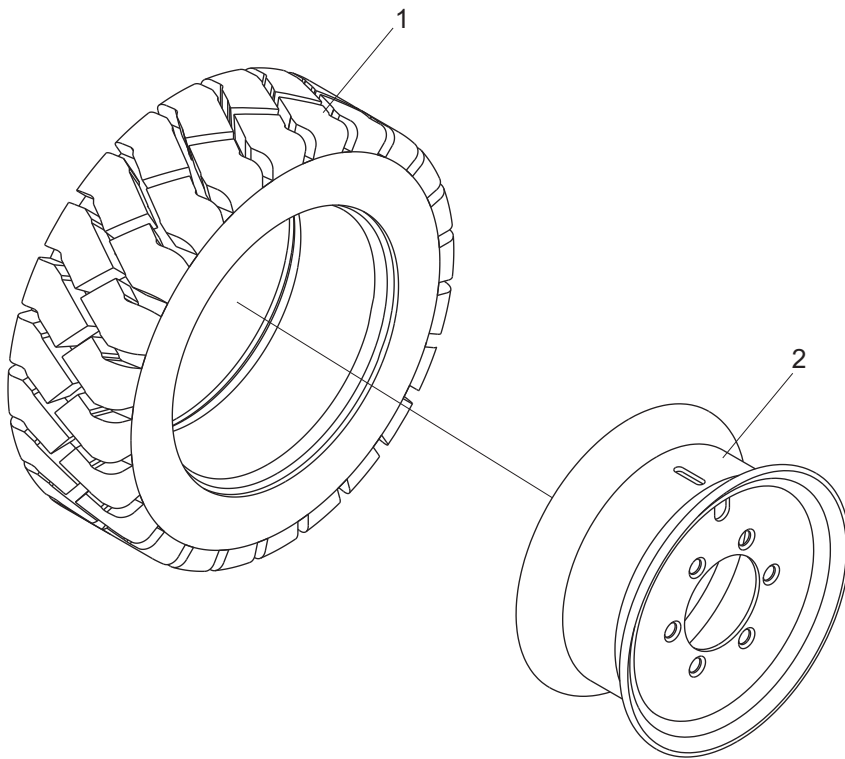
LG80DT、LG100DT





## 转向轮/Steering wheel

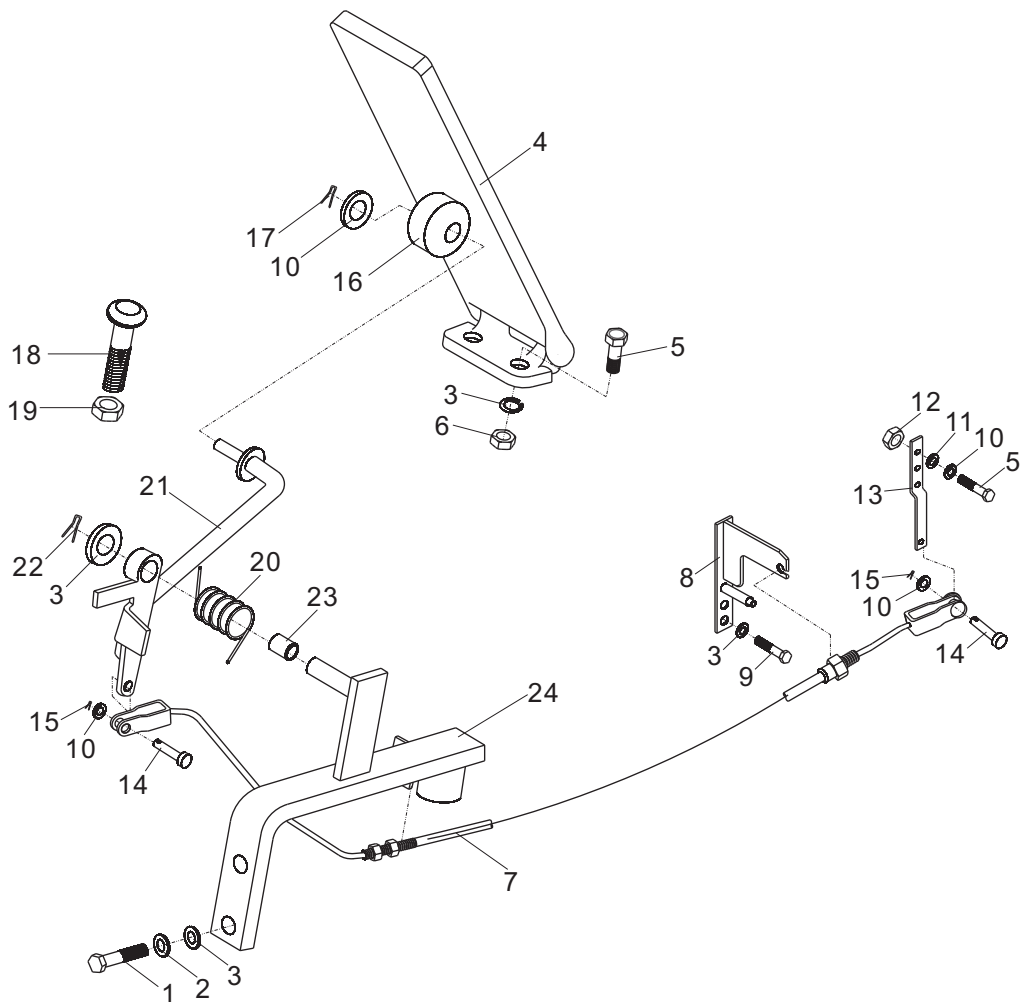
LG80DT、LG100DT





# 油门操纵总成/ Accelerator pedal assembly

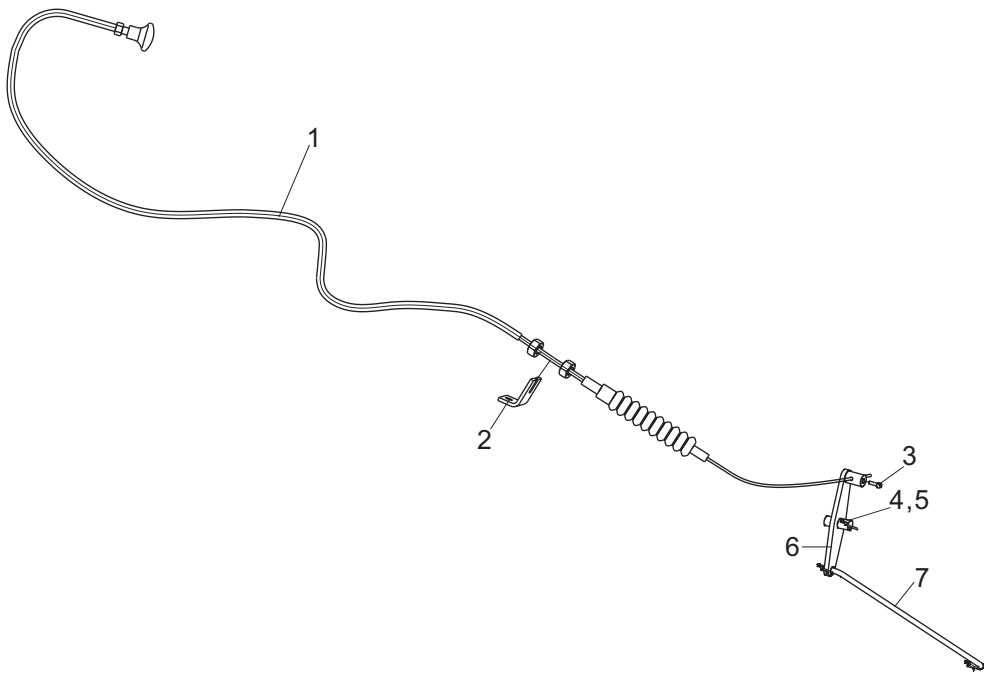
LG80DT、LG100DT





# 熄火操纵/Extinguish control

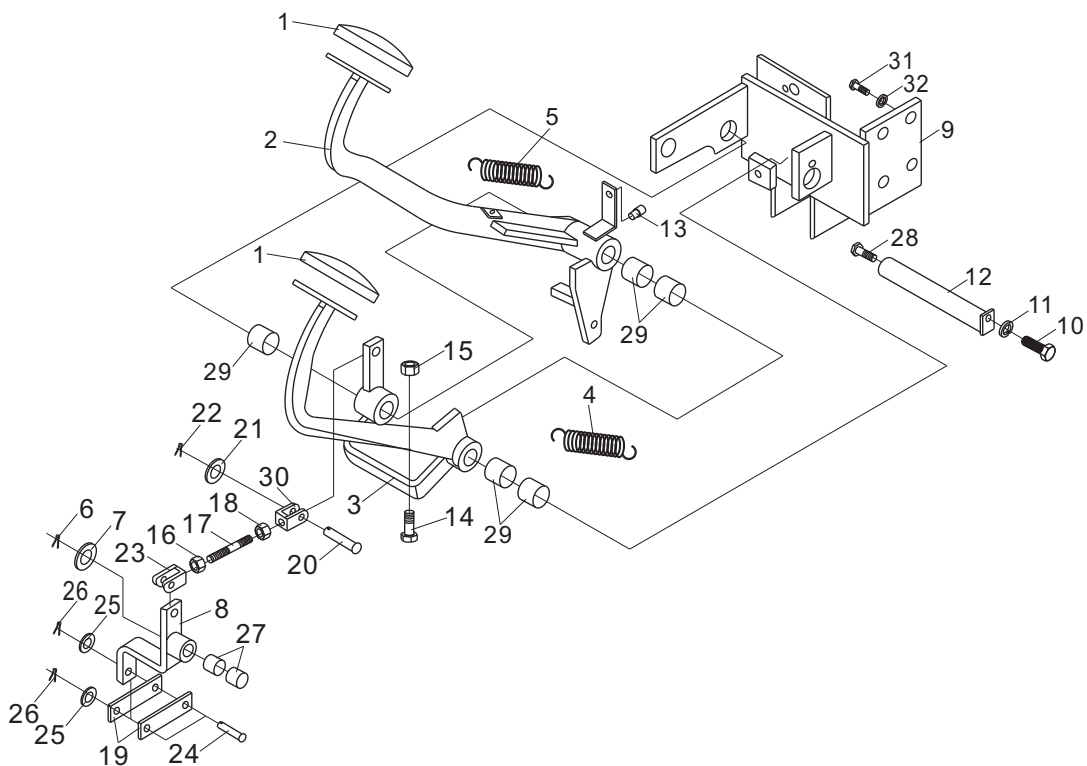
LG80DT、LG100DT





# 行车制动与微动操纵/Brake&inching control

LG80DT、LG100DT

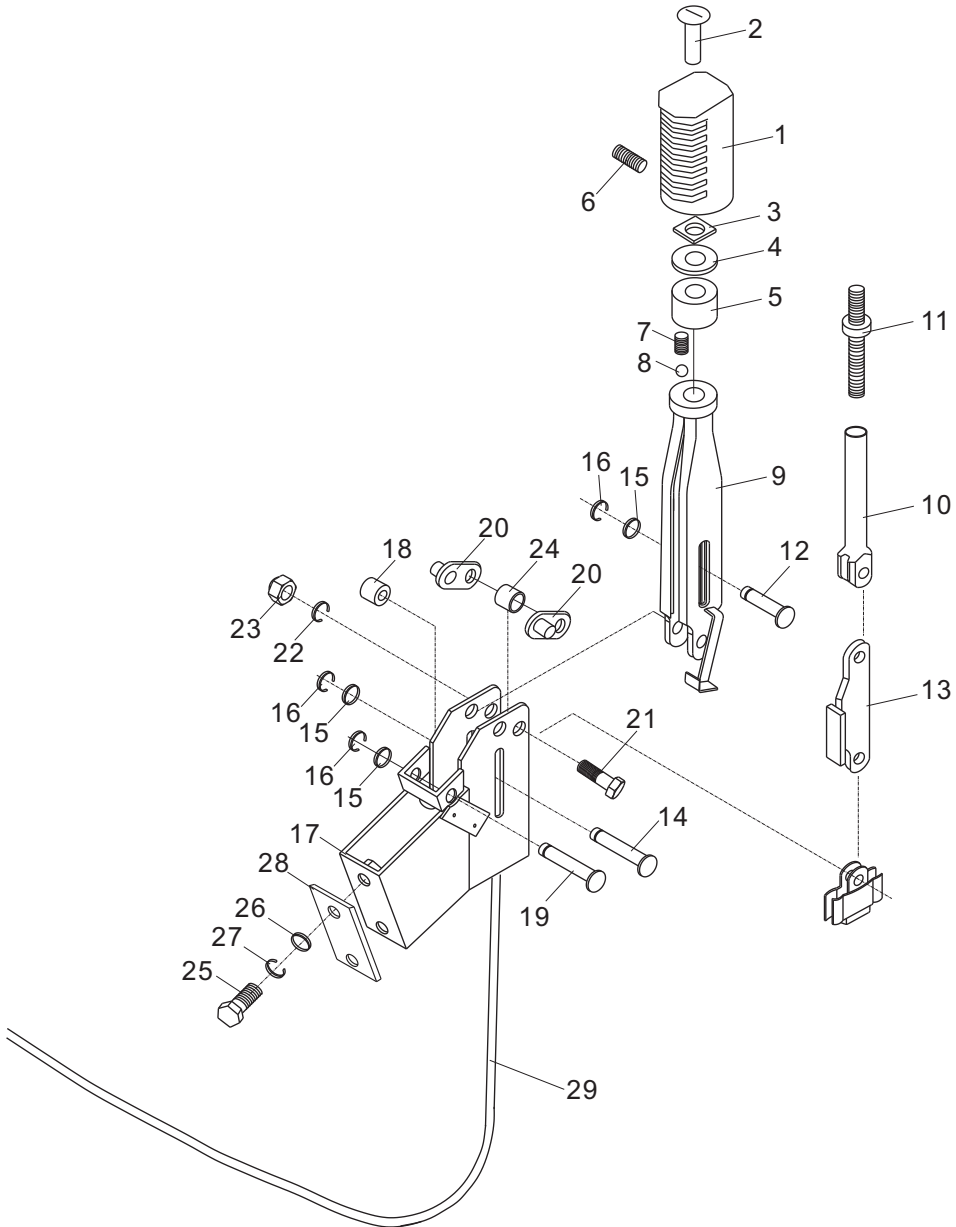


## 行车制动与微动操纵/Brake&inching control

序号 Item No	图 号 Part No	零部件名称 Description	数量 Q'ty	备 注 Remark
01	YLJZ0.6	脚踏套 Cover,pedal	2	脚制动总成带
02	KD0506-5T.1	脚闸1 Pedal,inching	1	同上
03	KD0506-5T.2	脚闸2 Pedal,brake	1	同上
04	KD0506-5T.3	拉簧2 Spring 2	1	同上
05	KD0506-5T.4	拉簧1 Spring 1	1	同上
06	GB/T91-2000	开口销3. 5X35 Pin 3.5×35	1	同上
07	GB/T97.1-1985	垫片16 Washer 16	1	同上
08	KD0506-5T.5	连杆组件 Link	1	同上
09	KD0506-5T.6	基座组件 Bracket	1	同上
10	GB/T5782-2000	紧固螺栓M8X15 Bolt M8×15	1	同上
11	GB/T93-1987	弹簧垫圈8 Spring washer 8	1	同上
12	KD0506-5T.7	轴组件 Shaft	1	同上
13		橡皮顶轴 Rubber	1	同上
14	GB5781-2000	螺栓M10X40 Bolt M10×40	3	同上
15	GB5170-1986	螺母M10 Nut M10	3	同上
16	GB6170-1986	左旋螺母M8 NUT M8	1	同上
17		丝杆 Link	1	同上
18	GB6170-1986	螺母M8 NUT M8	1	同上
19		连杆 Link	2	同上
20	GB882-1986	销B6X25 Pin B6×25	2	同上
21	GB95-1985	垫圈6 Washer 6	2	同上
22	GB91-1986	销1. 6X16 Pin 1.6×16	2	同上
23		支耳(左) Clevis (left)	1	同上
24	GB882-1986	销B10X30 Pin B10×30	3	同上
25	GB95-1985	垫圈10 Washer 10	3	同上
26	GB91-1986	销3. 2X20 Pin 3.2×20	3	同上
27		钢背轴承 Bearing	2	同上
28	ZBT33001.1-1988	直通式滑脂嘴 Fitting	1	
29		钢背轴承 Bearing	5	
30		支耳(右) Clevis (right)	1	
31	GB/T5783-2000	螺栓M12X25 Bolt M12×25	4	
32	GB/T93-1987	垫圈12 Washer 12	4	

# 停车制动操纵 / Parking brake control

LG80DT、LG100DT

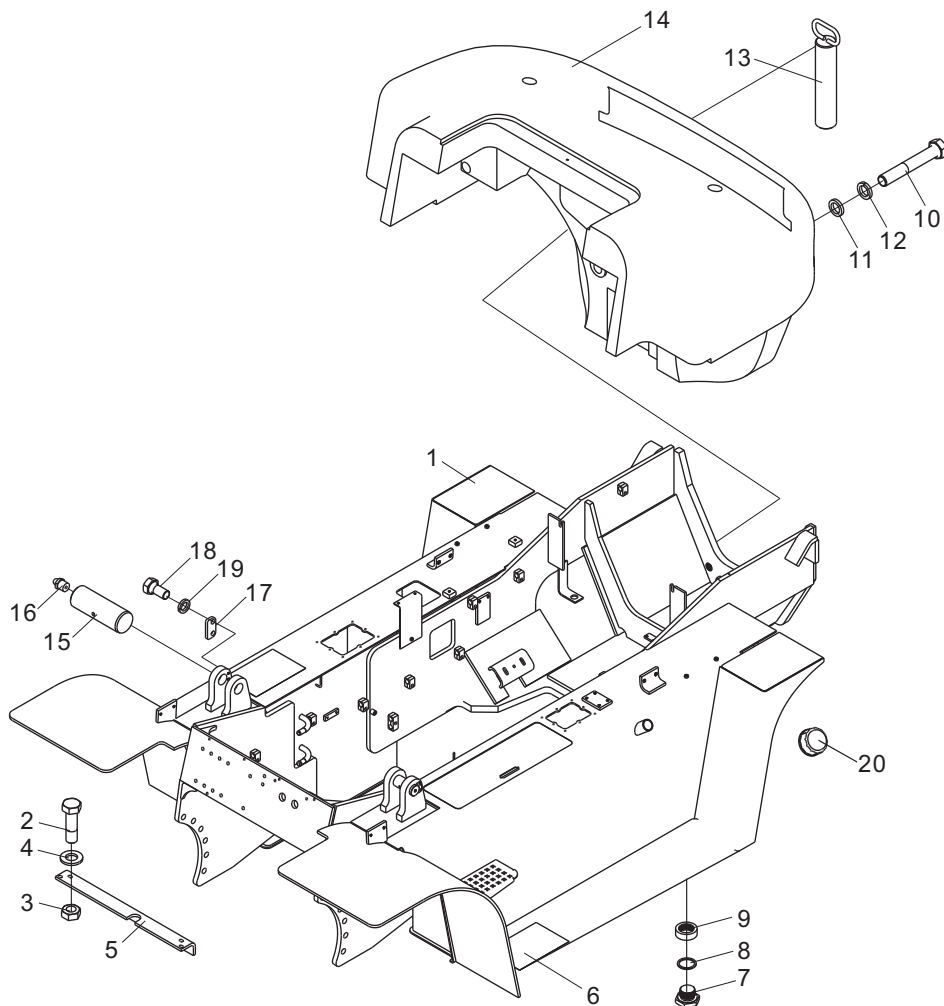


## 停车制动操纵/Parking brake control

序号 Item No	图 号 Part No	零部件名称 Description	数量 Q'ty	备 注 Remark
01	THN-110	手柄头	Handle	1
02	THN-111	调节杆	Adjuster rod	1
03	GB39-1988	螺母M8	Nut M8	1
04	GB96-1985	垫圈8	Washer 8	1
05	THN-101	手柄座	Handle seat	1
06	GB80-1985	螺钉M4X4	Screw M4×4	1
07	THN-200	弹簧1X6X11	Spring 1×6×11	1
08	GB308-1989	钢球 φ 6	Steel ballφ6	1
09	THN-060	闸把体	Brake handle	1
10	THN-600	拉杆体	Link	1
11	THN-500	螺杆	Screw	1
12	THN-070	平头销D8X35	Pin D8×35	1
13	THN-900-00	拉板总成	Board	1
14	THN-070	平头销D8X45	Pin D8×45	1
15	GB97.1-1986	垫圈8	Washer 8	2
16	GB896-1986	挡圈6	Snap ring 6	2
17	HC230C5-11100	支架总成	Bracket assembly	1
18	25785-52241	缓冲垫圈	Rubber washer	1
19	25785-52251	销轴	Pin shaft	1
20	THN-40-00	支撑板总成	Supporter assembly	2
21	GB5782-1986	螺栓M10X45	Bolt M10×45	1
22	GB93-1987	垫圈10	Washer 10	1
23	GB802-1988	螺母M10	Nut M10	1
24	25785-52261	垫圈II	Washer II	1
25	GB5783-2000	螺栓M10X25	Bolt M10×25	2
26	GB97.1-2002	垫圈10	Washer 10	2
27	GB93-1987	垫圈10	Washer 10	2
28	H43E6-45001	支架	Bracket	1
29	LG0100DT.07.02	手制动器拉索	Soft shaft	1

# 车架/Frame

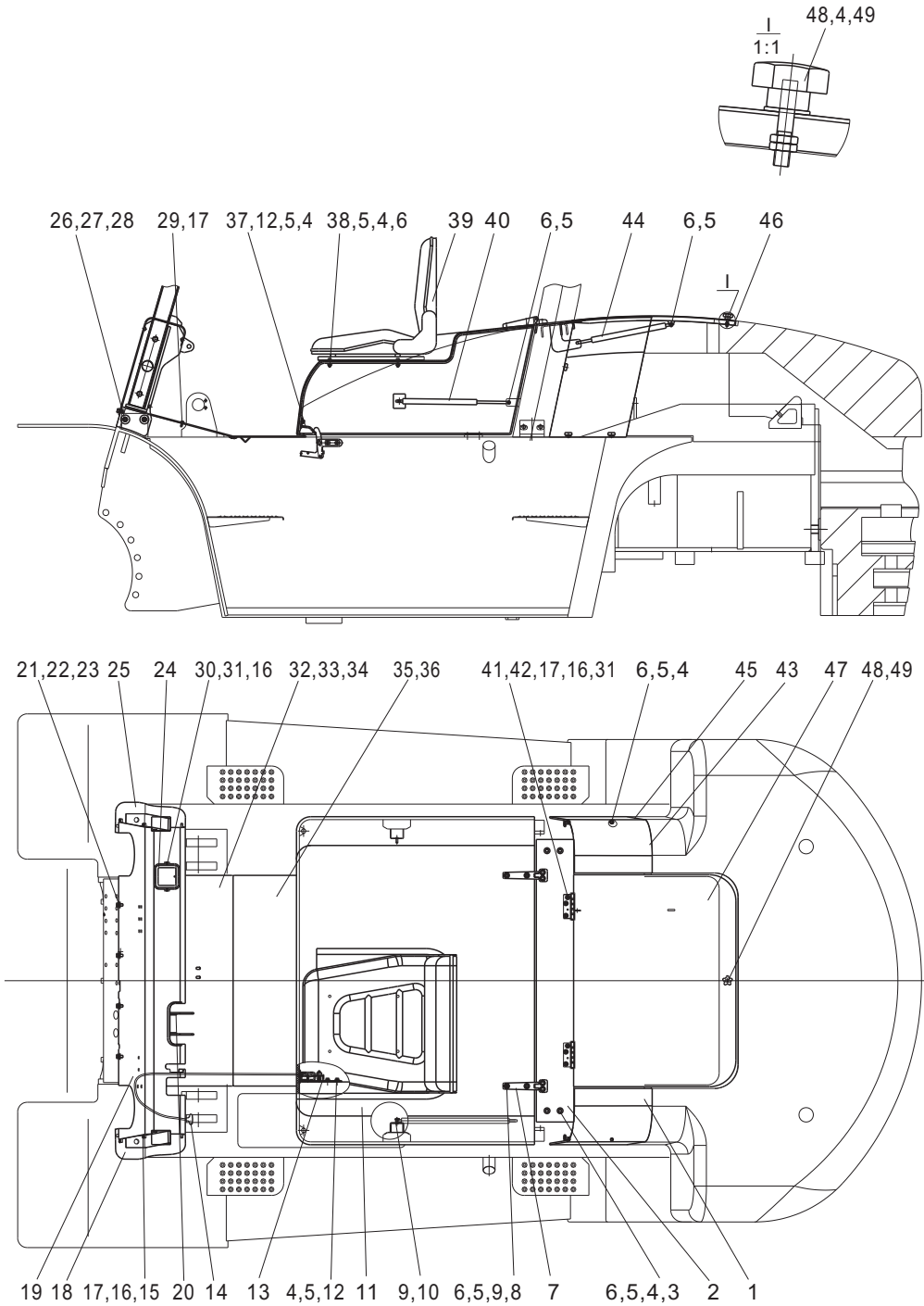
LG80DT、LG100DT





# 覆盖件系统/Mantle system

LG80DT、LG100DT

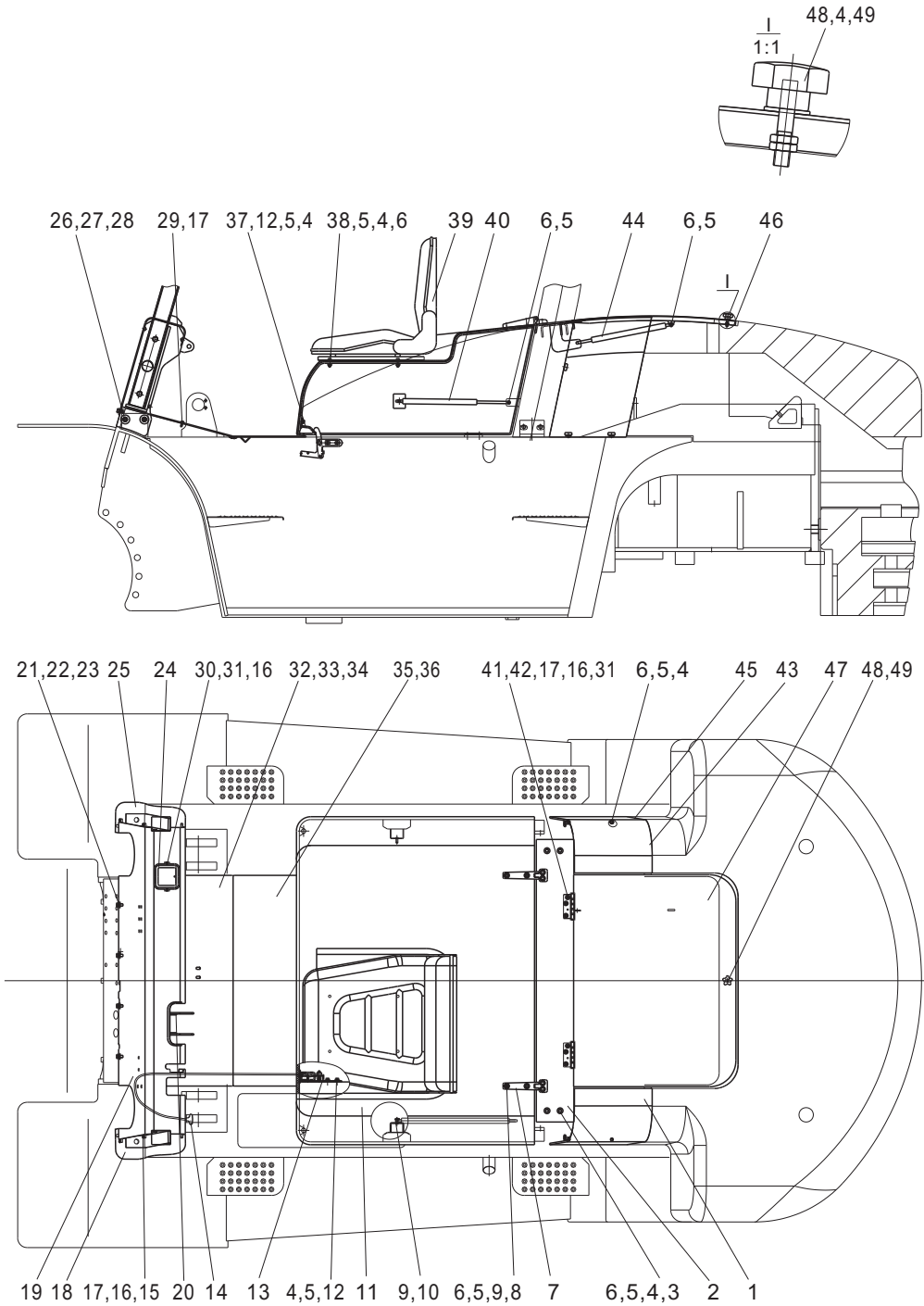


## 覆盖件系统/Mantle system

序号 Item No	图号 Part No	零部件名称 Description	数量 Q'ty	备注 Remark
01	LG0100DT.09.01	中间联接板焊合(左)                      Link board(left)	1	LG100DT
02	LG0100DT.09.02	后横板焊合                                      Rear board	1	LG100DT
	LG0080DT.09.01	后横板焊合                                      Rear board	1	LG80DT
03	GB/T5783-2000	螺栓M8X30                                      Bolt M8×30	4	
04	GB/T96.2-2002	垫圈8    Washer 8	21	
05	GB/T93-1987	垫圈8    Washer 8	30	
06	GB/T6170-2000	螺母M8    Nut M8	20	
07	LG0030D.09.08	铰链合件                                        Gemel	2	
08	GB/T70.1-2000	内六角圆柱头螺钉M8X35                      Screw M8×35	8	
09	GB/T97.1-2002	垫圈8    Washer 8	20	
10	GB/T91-2000	开口销2. 5X14                                      Pin 2.5×14	2	
11	LG0100DT.09.03	内燃机罩                                        Cover	1	
12	GB/T5783-2000	螺栓M8X16                                      Bolt M8×16	6	
13	LG0100DT.09.04	锁扣总成                                        Locking assembly	1	
14	LG0100DT.09.05	机罩拉锁                                        Lock	1	
15	GB/T818-2000	十字槽盘头螺钉M6X12                      Screw M6×12	8	
16	GB/T93-1987	垫圈6    Washer 6	16	
17	GB/T96.2-2002	垫圈6    Washer 6	16	
18	LG0100DT.09-001	仪表架侧盖(左)                                      Meter cover(left)	1	
19	LG0100DT.09.06	仪表架    Meter bracket	1	
20	LG0100DT.09-002	尼龙垫圈                                        Nylon washer	2	
21	GB/T5783-2000	螺栓M10X20                                      Bolt M10×20	4	
22	GB/T93-1987	垫圈10    Washer 10	8	
23	GB/T97.1-2002	垫圈10    Washer 10	12	
24	LG0100DT.09-003	工具箱    Tool box	1	
25	LG0100DT.09-004	仪表架侧盖(右)                                      Meter cover(right)	1	
26	GB/T5786-2000	螺栓M12X1. 5X30                                      Bolt M12×1.5×30	4	
27	GB/T93-1987	垫圈12    Washer 12	8	
28	GB/T96.2-2002	垫圈12    Washer 12	4	
29	GB/T818-2000	十字槽盘头螺钉M6X20                      Screw M6×20	2	
30	GB/T65-2000	开槽圆柱头螺钉M6X16                      Screw M6×16	2	
31	GB/T97.1-2002	垫圈6    Washer 6	8	

## 覆盖件系统/Mantle system

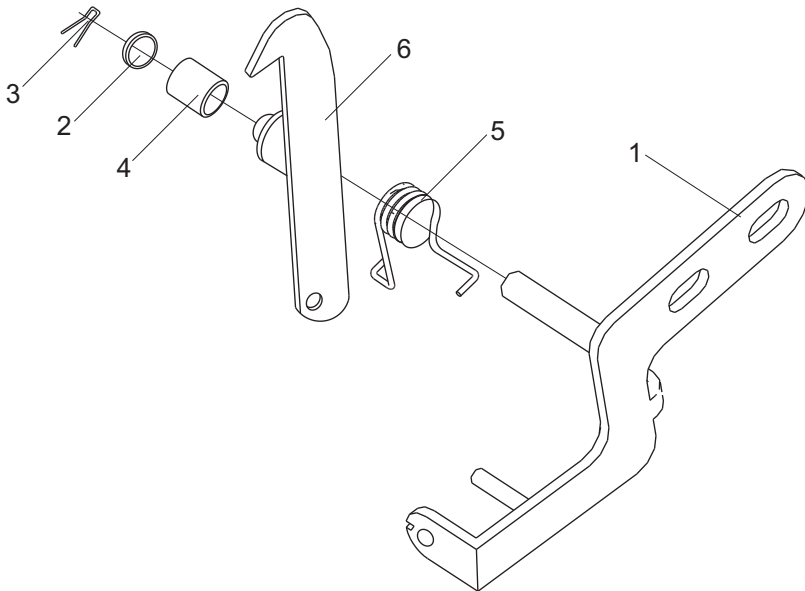
LG80DT、LG100DT





## 锁扣总成/Locking assembly

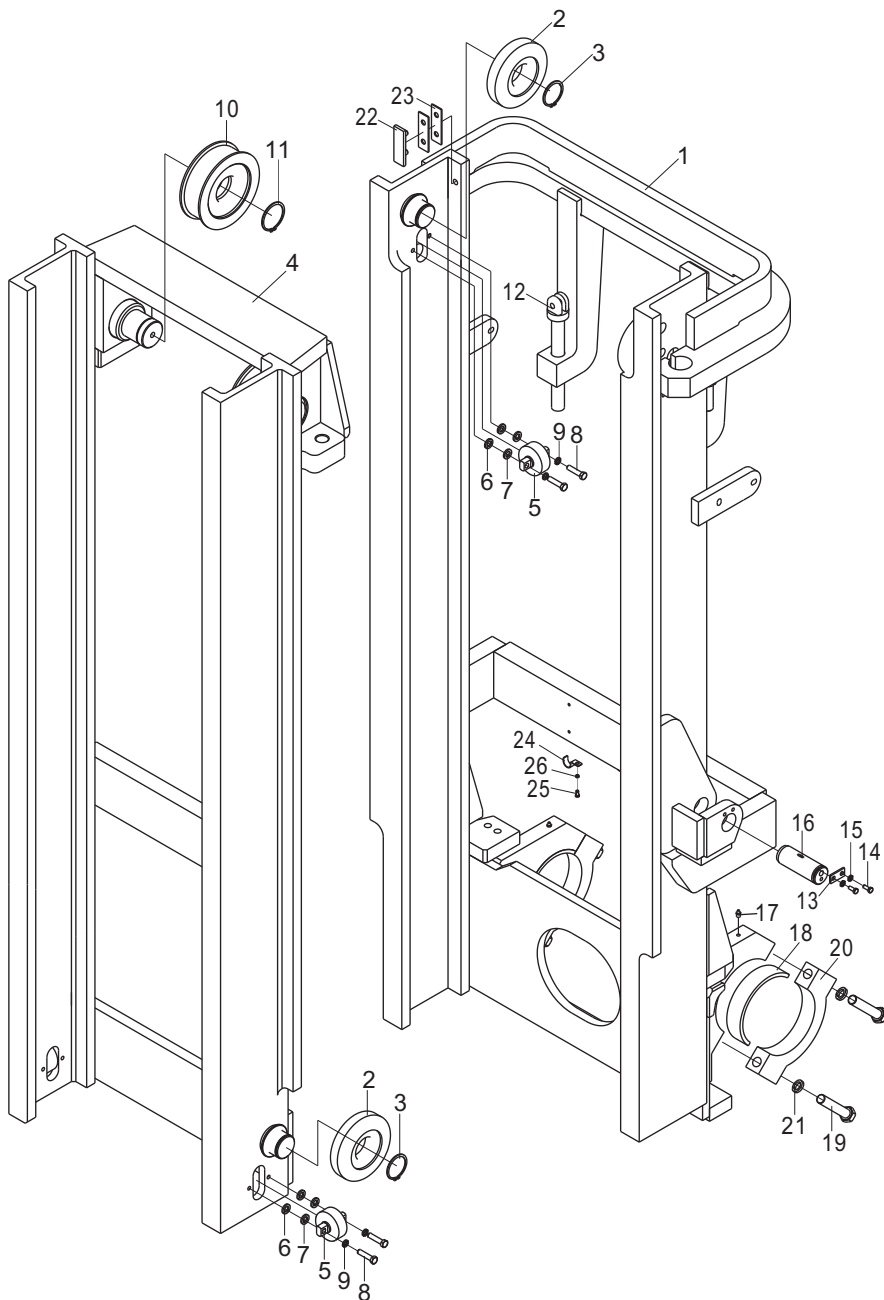
LG80DT、LG100DT





# 门架(基本型) / Mast (normal mast)

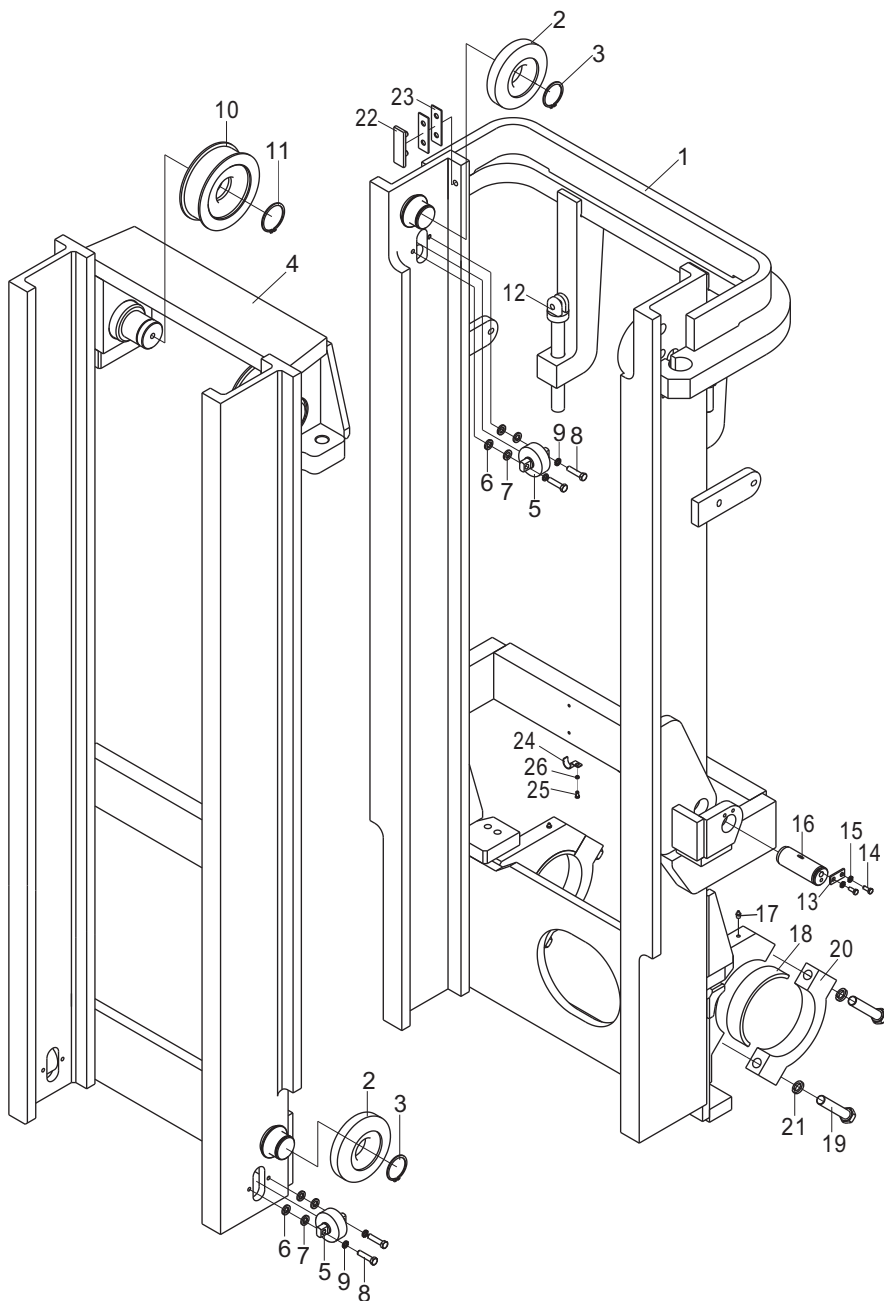
LG80DT、LG100DT





# 门架(基本型) / Mast (normal mast)

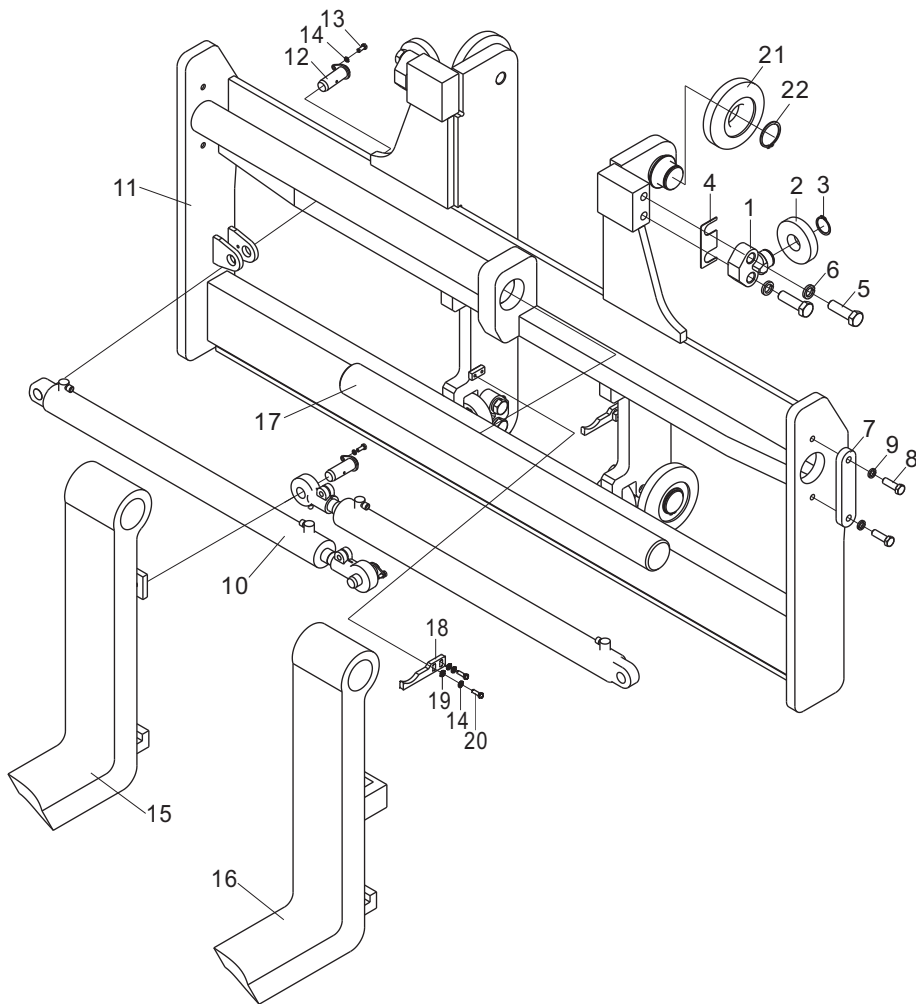
LG80DT、LG100DT





# 货叉及货叉架(基本型) / Fork & Lift bracket(normal mast)

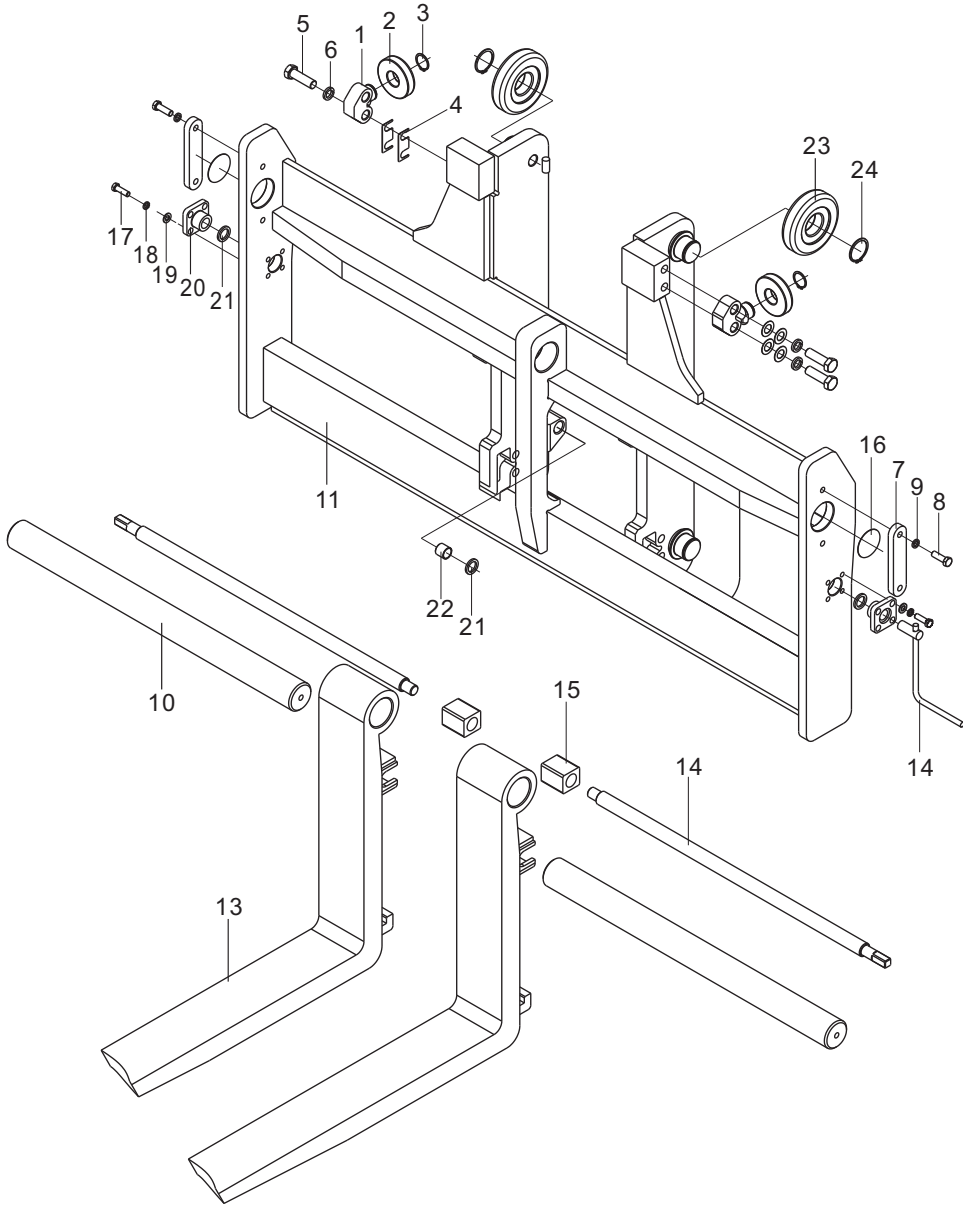
LG100DT





# 货叉及货叉架/Fork & Lift bracket

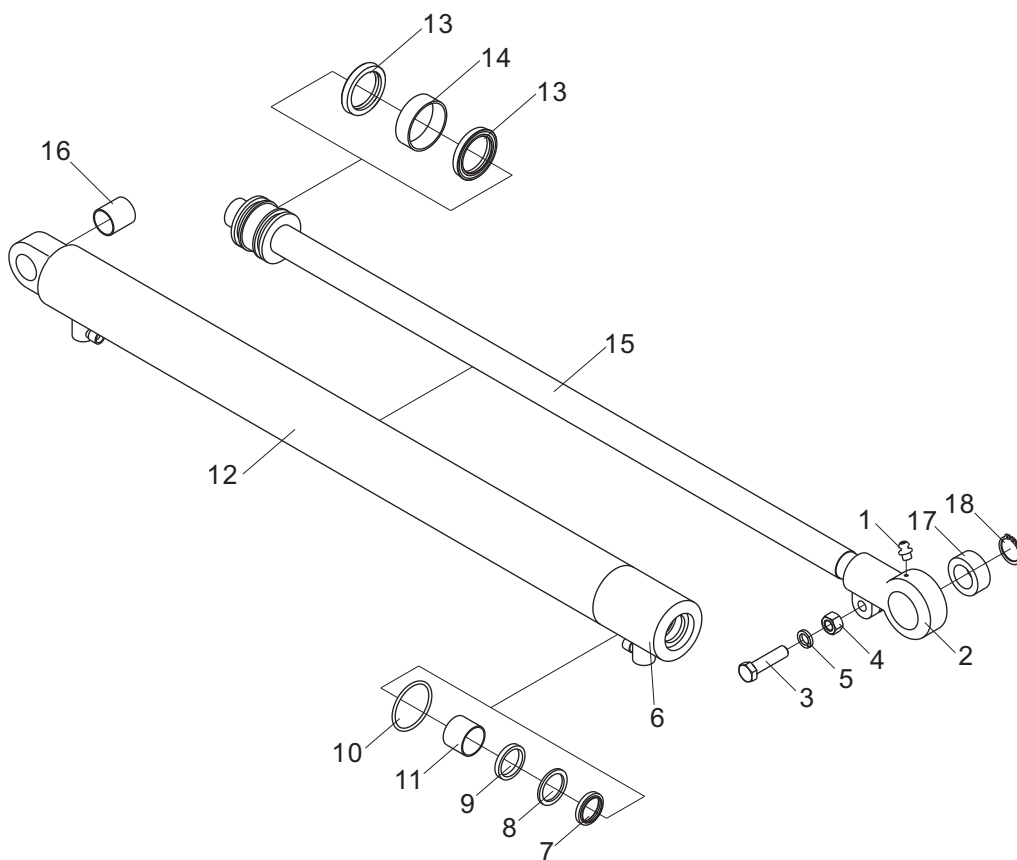
LG80DT





# 调距油缸 / Cylinder (distance adjusting)

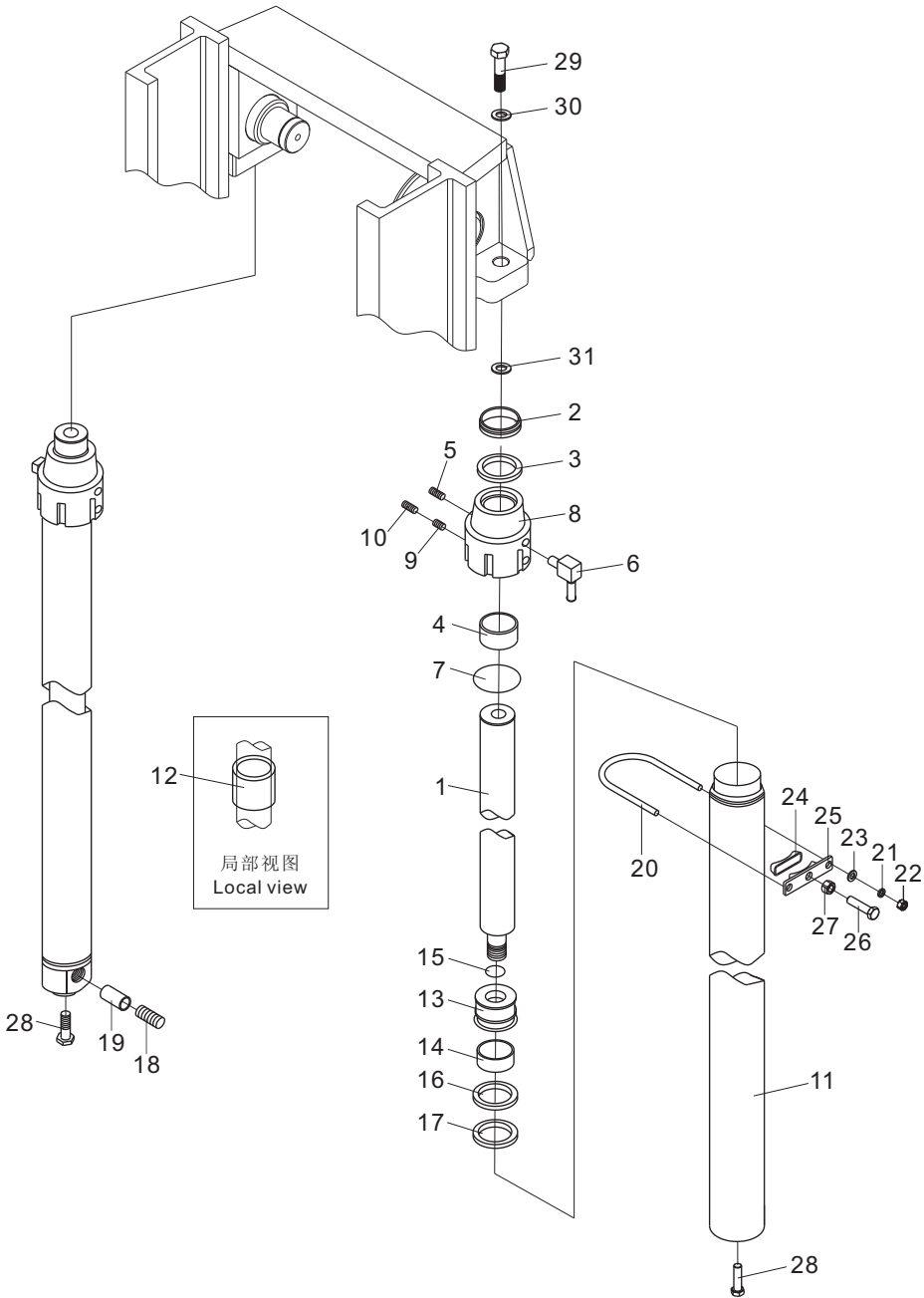
LG100DT





# 起升油缸/Lift cylinder

LG80DT、LG100DT

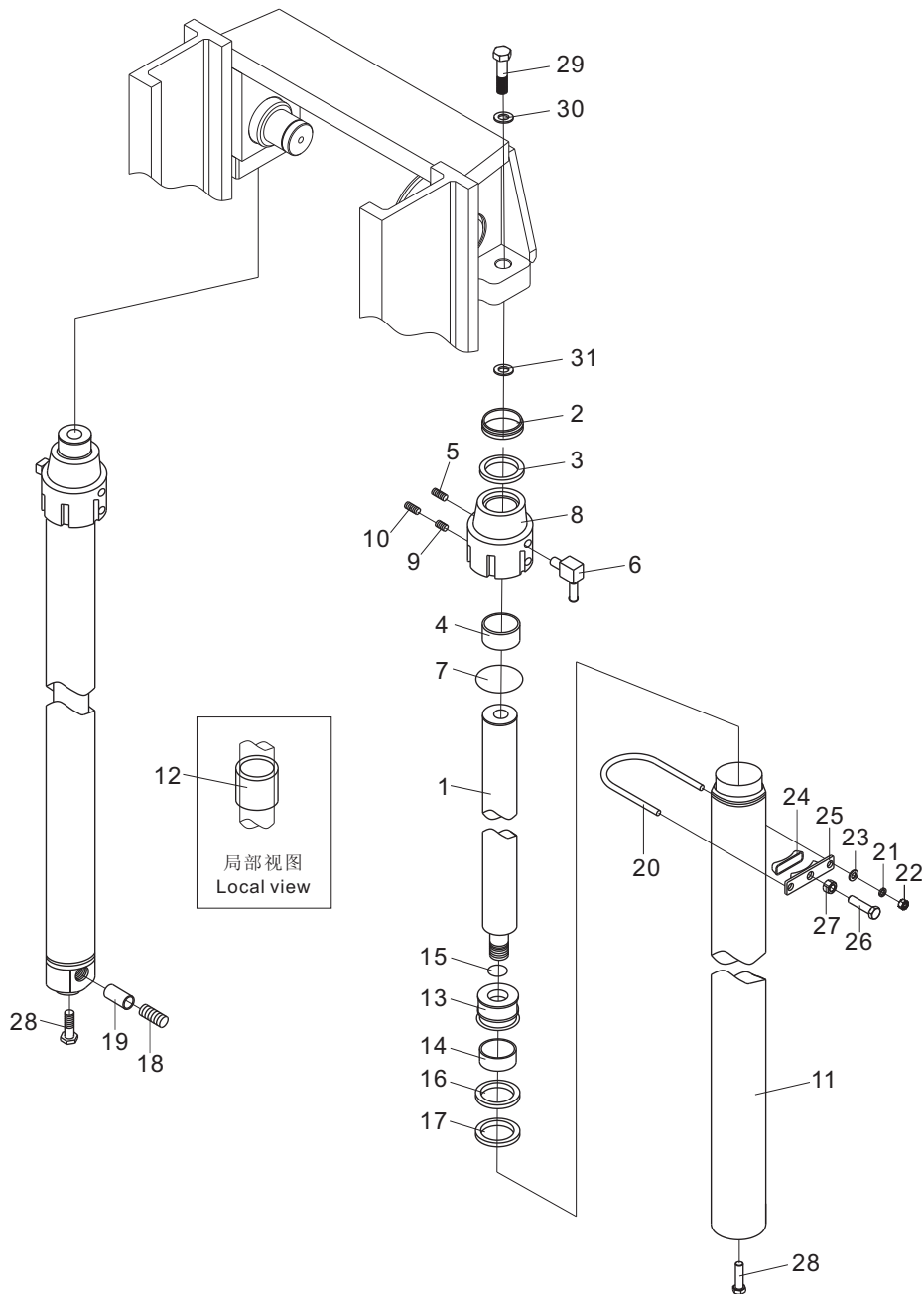


## 起升油缸/Lift cylinder

序号 Item No	图 号 Part No	零部件名称 Description	数量 Q'ty	备 注 Remark
01	REF104516	活塞杆 Rod,piston	1	
02	REF341310/25808-42481	防尘密封圈 Seal,dust	1	
03	REF340858/54235-52401	U形密封圈 U-ring	1	
04	Z2114-07035	钢背轴承 Bearing	1	
05	Q/ZB285.3	螺塞ZG3/8" Plug ZG3/8"	1	
06	24329-45531	管接头 Elbow	1	
07	24450-82291	O型密封圈 O-ring	1	
08	25908-42551	缸盖 Cap	1	
09	25908-44111	塞子 Plug	2	
10	GB/T80-1985	螺钉M8X10 Screw M8×10	2	
11	REF208803	缸体 Cylinder body	1	
12	REF206926G	调整套 Sleeve,adjusted		见表 see table
13	25908-42451	活塞 Piston	1	
14	25908-42431	支承环 Wearing	1	
15	25908-42481	钢丝挡圈 Stop ring,steel wire	1	
16	REF340216/25908-42471	挡片 snap ring	1	
17	REF340216/25908-42461	U形密封圈 U-ring	1	
18	REF343954/25908-42481	弹簧 Spring	1	
19	REF329770/24389-46011	滑阀 Piston	1	
20	LG0100DT.10-003	卡箍 Clip	2	
21	GB/T97.1-2002	垫圈12 Washer 12	4	
22	GB/T6170-2000	螺母M12 Nut M12	4	
23	GB/T93-1987	垫圈12 Washer 12	4	
24	LG0060DT.10-018	压板 Plate,adjusted	2	
25	LG0060DT.10-019	压板套 Cover	2	
26	GB/T5786-2000	螺栓M16X1.5X55 Bolt M16×1.5×55	2	
27	GB/T6171-2000	螺母M16X1.5 Nut M16×1.5	2	
28	GB/T5785-2000	螺栓M16X1.5X60 Blot M16×1.5×60	2	
29	GB/T5785-2000	螺栓M30X2X80 Bolt M30×2×80	2	
30	GB/T93-1987	垫圈30 Washer 30	2	
31	LG0060DT.10-016	起升缸调整垫 Gasket,adjusted	2	

# 起升油缸/Lift cylinder

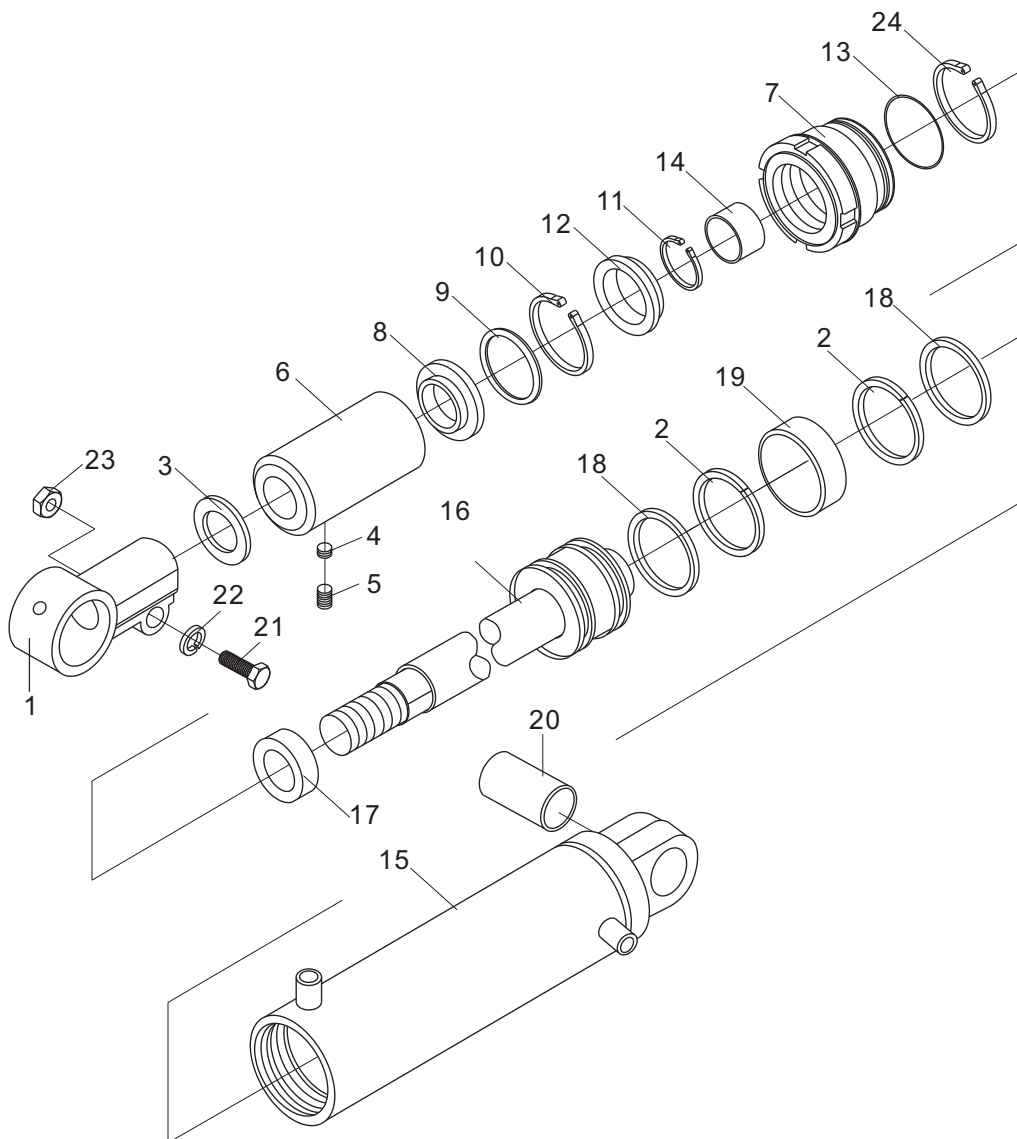
LG80DT、LG100DT





# 倾斜油缸/Lilt cylinder

LG80DT、LG100DT

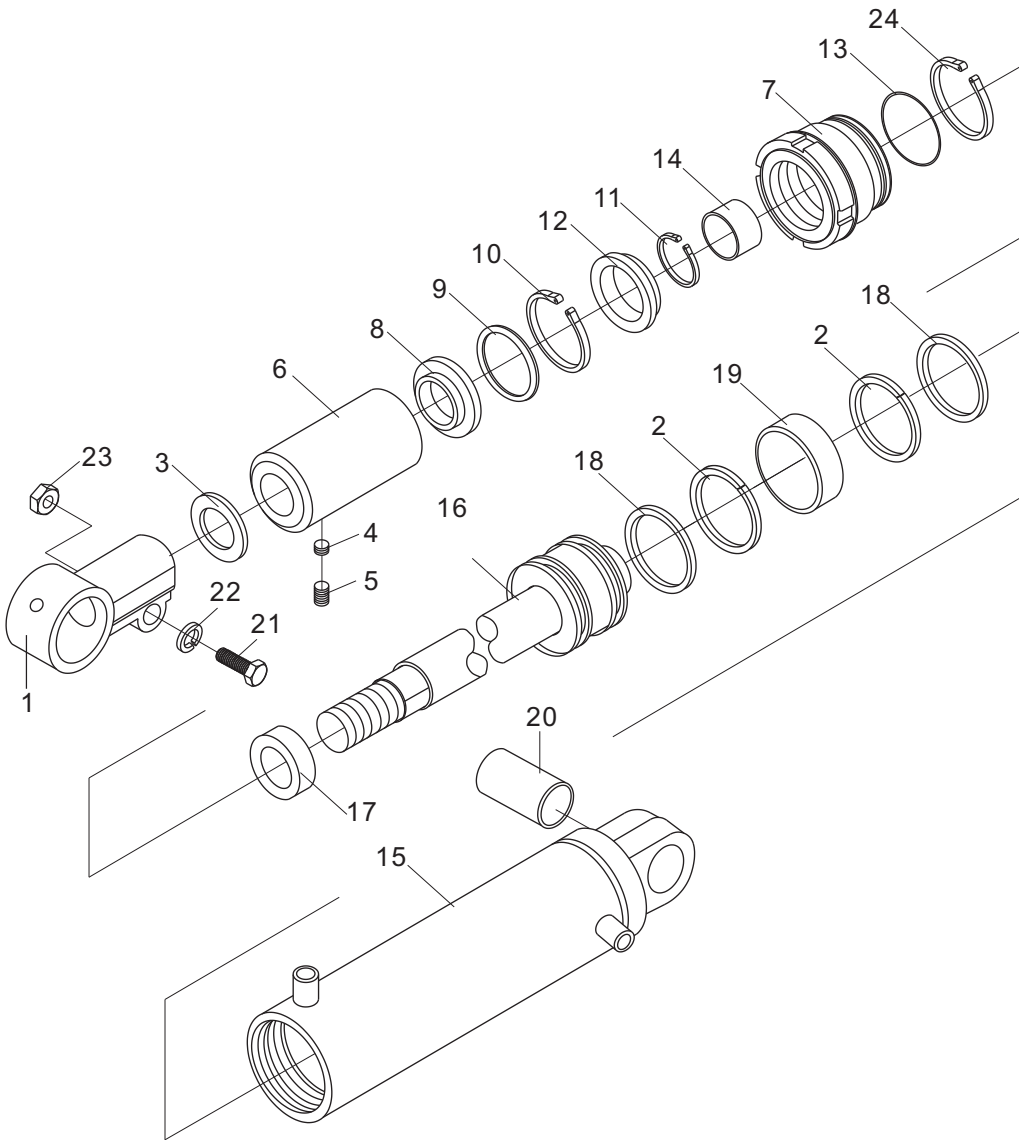


## 倾斜油缸/Lilt cylinder

序号 Item No	图 号 Part No	零部件名称 Description	数量 Q'ty	备 注 Remark
01	D40C8-52001A	耳环 Ear ring	1	
02	REF340216/25908-52021	挡圈 Snap ring	2	
03	LG0060DT.10.08-001	调整垫片 Gasket,adjusted	1	
04	GB/T77-2000	螺钉M10X12 Screw M10×12	1	
05	LG0030D.10.08-001	塞子 Plug	1	
06	LG0100DT.10.11-001	限位套 Spacer	1	
07	25788-52052	导向套 Guide sleeve	1	
08	REF341310/24329-45581	防尘圈72 Dust seal 72	1	
09	GB893.1-1986	挡圈72 Snap ring 72	1	
10	24328-52221	挡圈 Snap ring	1	
11	24328-52211	挡圈 Snap ring	1	
12	REF340213/24328-52201	U型密封圈D50 U-ring D50	1	
13	03350-01100	O型密封圈 O-ring	1	
14	Z2113-05030	钢背轴承5030 Bearing5030	1	
15	LG0100DT.10.11.01	倾斜缸体 Body,tilt cylinder	1	
16	HRD40C8504/D40C8-50441	活塞体 Body,piston	1	
17	HRD40C8506	调整套 Spacer	1	
18	25788-52151	Yx型密封圈D100 Yx-ring D100	2	
19	22658-52081	支承环 Wearing	2	
20	Z2123-05058	钢背轴承5058 Bearing 5058	1	
21	GB/T5785-2000	螺栓M16X1. 5X70 Bolt M16×1.5×70	1	
22	GB/T93-1987	垫圈16 Washer 16	1	
23	GB/T6171-2000	螺母M16X1. 5 Nut M16×1.5	1	
24	24388-52061	挡圈 Snap ring	1	

# 倾斜油缸/Lilt cylinder

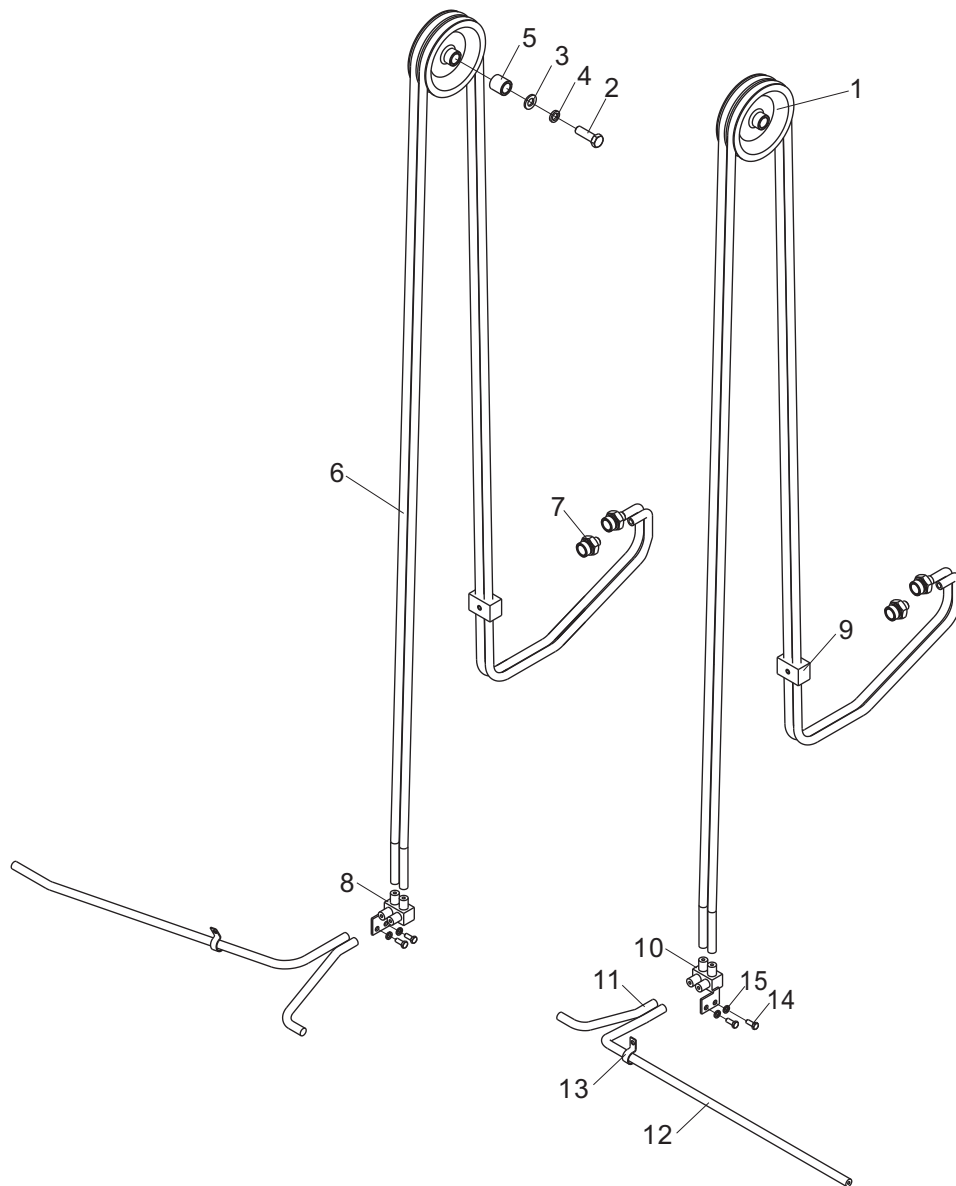
LG80DT、LG100DT





# 调距管路系统/Adjust distance pipeline system

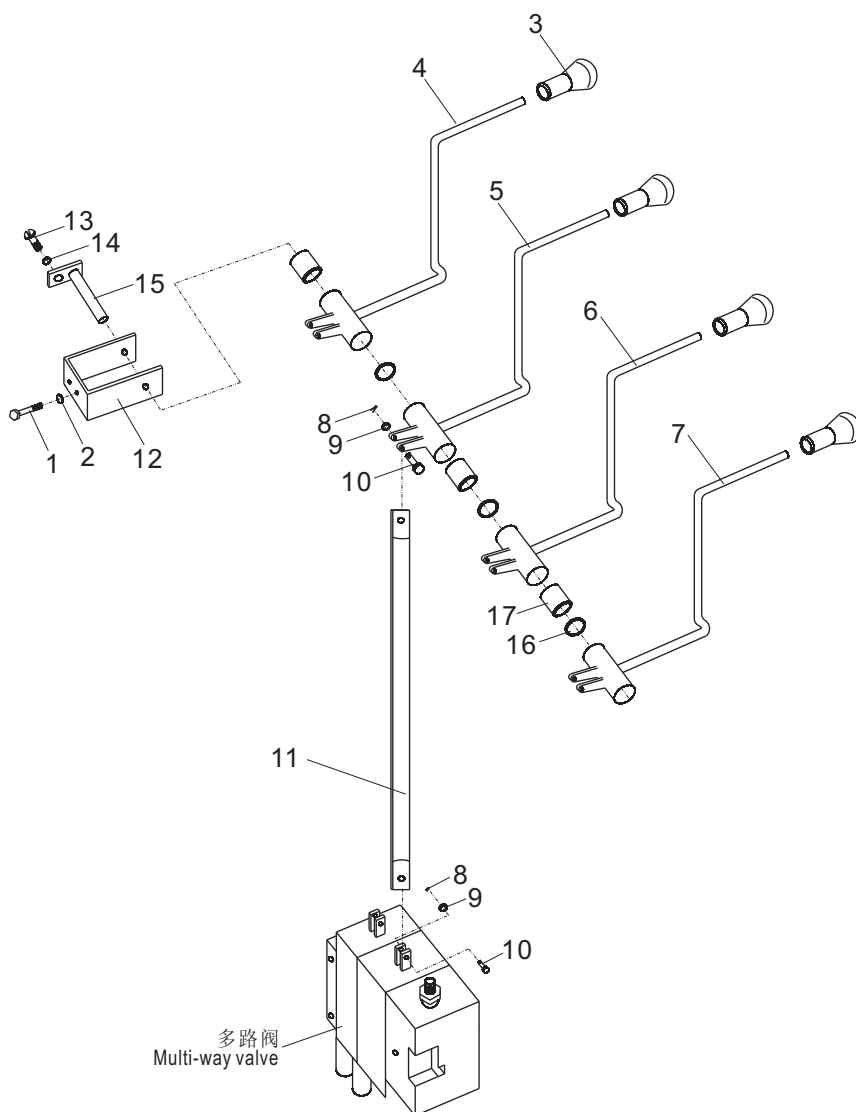
LG100DT





# 多路阀操纵(四联)/Multi-way valve control (four-throw)

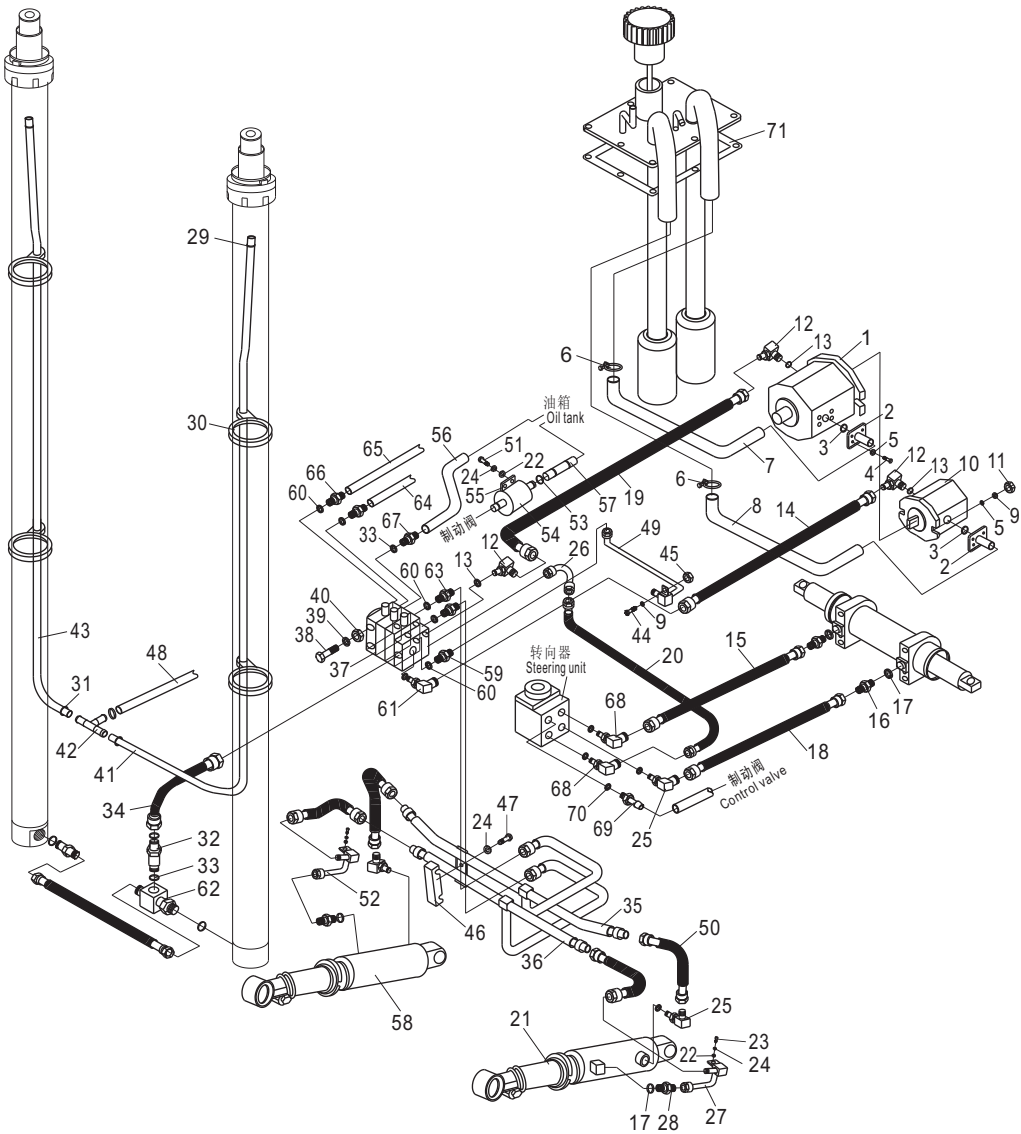
LG80DT、LG100DT





# 液压系统/Hydraulic system

LG80DT、LG100DT

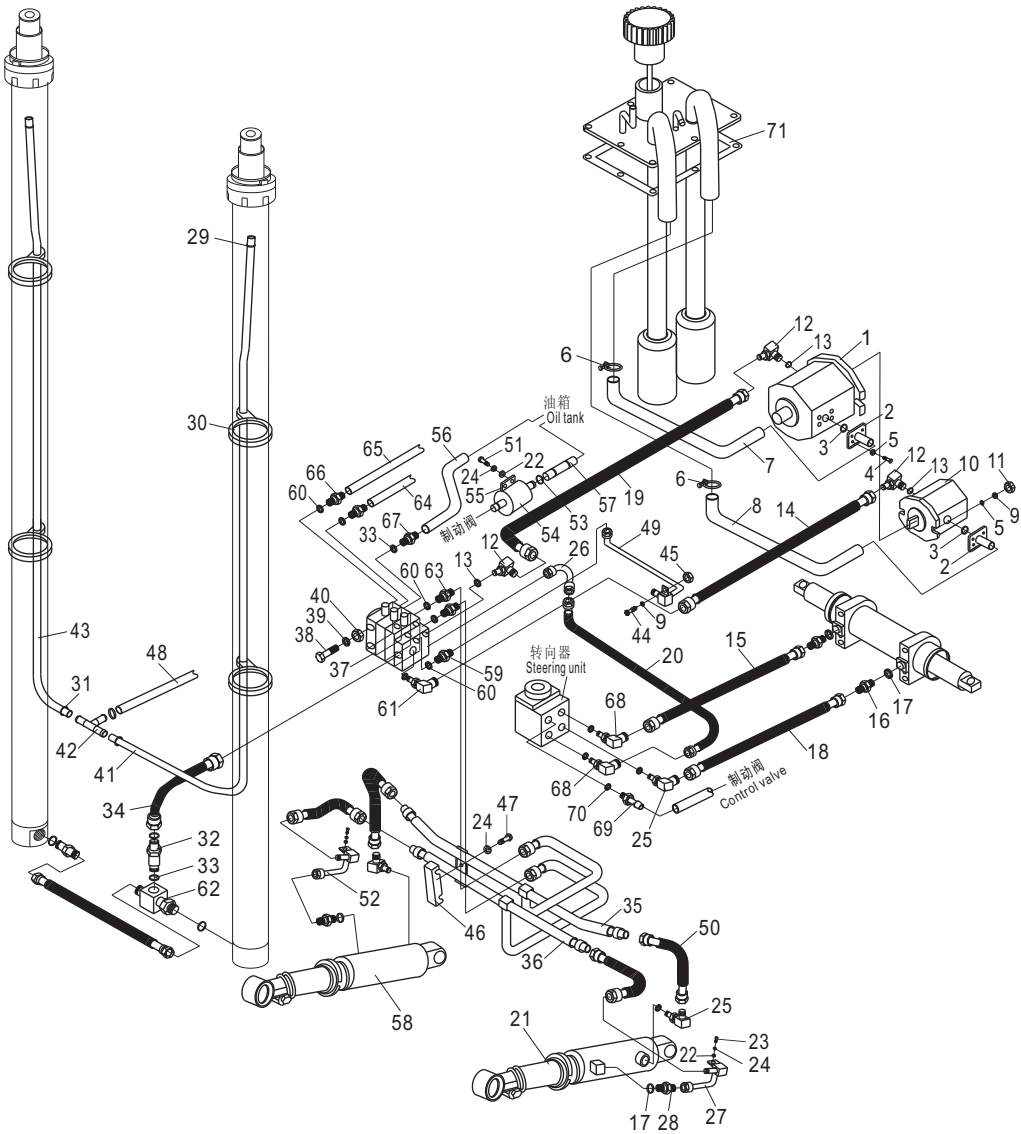


## 液压系统/Hydraulic system

序号 Item No	图号 Part No	零部件名称 Description	数量 Q'ty	备注 Remark
01	LG0100DT.12.01	双联泵 Front pump	1	CBHYA-G36/F3.5-ATΦ
02	LG0100DT.12.02	泵吸油接头 Elbow	2	
03	GB/T3452.1-2005	O型密封圈37.5X3.55 O-ring 37.5×3.55	2	
04	GB/T5783-2000	螺栓M10X30 Bolt M10×30	8	
05	GB/T93-1987	垫圈10 Washer 10	12	
06	JB/T8870-1999	喉箍d50(Φ32-50) Clip d50(Φ32-50)	4	
07	LG0100DT.12-001	前泵吸油管 Hose	1	
08	LG0100DT.12-002	后泵吸油管 Hose	1	
09	GB/T97.1-2002	垫圈10 Washer 10	5	
10	GB/T6173-2000	螺母M10X1.25 Nut M10×1.25	4	
11	LG0100DT.12.03	后泵 Rear pump	1	CBKa-G436-ATΦL
12	LG0100DT.12-003	泵出油接头 Elbow	3	L1CG-30-12
13	LG0100DT.12-032	O型圈23.7X3.5-N90 O-ring 23.7×3.5-N90	3	
14	LG0100DT.12-004	后泵出油管 Hose	1	20411-307/20491-307*2W12*890
15	LG0100DT.12-005	转向油缸高压胶管 Hose,high pressure	1	LG100DT
	LG0080DT.12-001	转向油缸高压胶管 Hose,high pressure	1	LG80DT
16	LG0100DT.12-017	转向油缸直通接头 Elbow	2	L1CH-18-16
17	GB/T3452.1-2005	O型密封圈13.2X2.65 O-ring 13.2×2.65	4	
18	LG0100DT.12-006	转向油缸高压胶管 Hose,high pressure	1	LG100DT
	LG0080DT.12-002	转向油缸高压胶管 Hose,high pressure	1	LG80DT
19	LG0100DT.12-007	前泵出油管 Hose	1	20411-307/20491-307*2W12*450
20	LG0100DT.12-018	多路阀供转向高压胶管 Hose,high pressure	1	20411-18T*2W06*380
21	LG0100DT.12.18	倾斜缸(左) Tilt cylinder (left)	1	
22	GB/T97.1-2002	垫圈8 Washer 8	6	
23	GB/T5783-2000	螺栓M8X20 Bolt M10×20	2	
24	GB/T93-1987	垫圈8 Washer 8	6	
25	LG0100DT.12.07	倾斜油缸直角接头 Elbow	3	L1CH9-18-200G
26	LG0100DT.12.08	弯头 Joint	1	
27	LG0100DT.12.09	接头总成(左) Elbow (left)	1	
28	LG0100DT.12-019	倾斜油缸直通接头 Elbow	2	L1DH-20-16
29	LG0100DT.12-020	扎带450X10 Bend 450×10	4	
30	LG0100DT.12-021	回油管管夹片 Clip	4	

# 液压系统/Hydraulic system

LG80DT、LG100DT

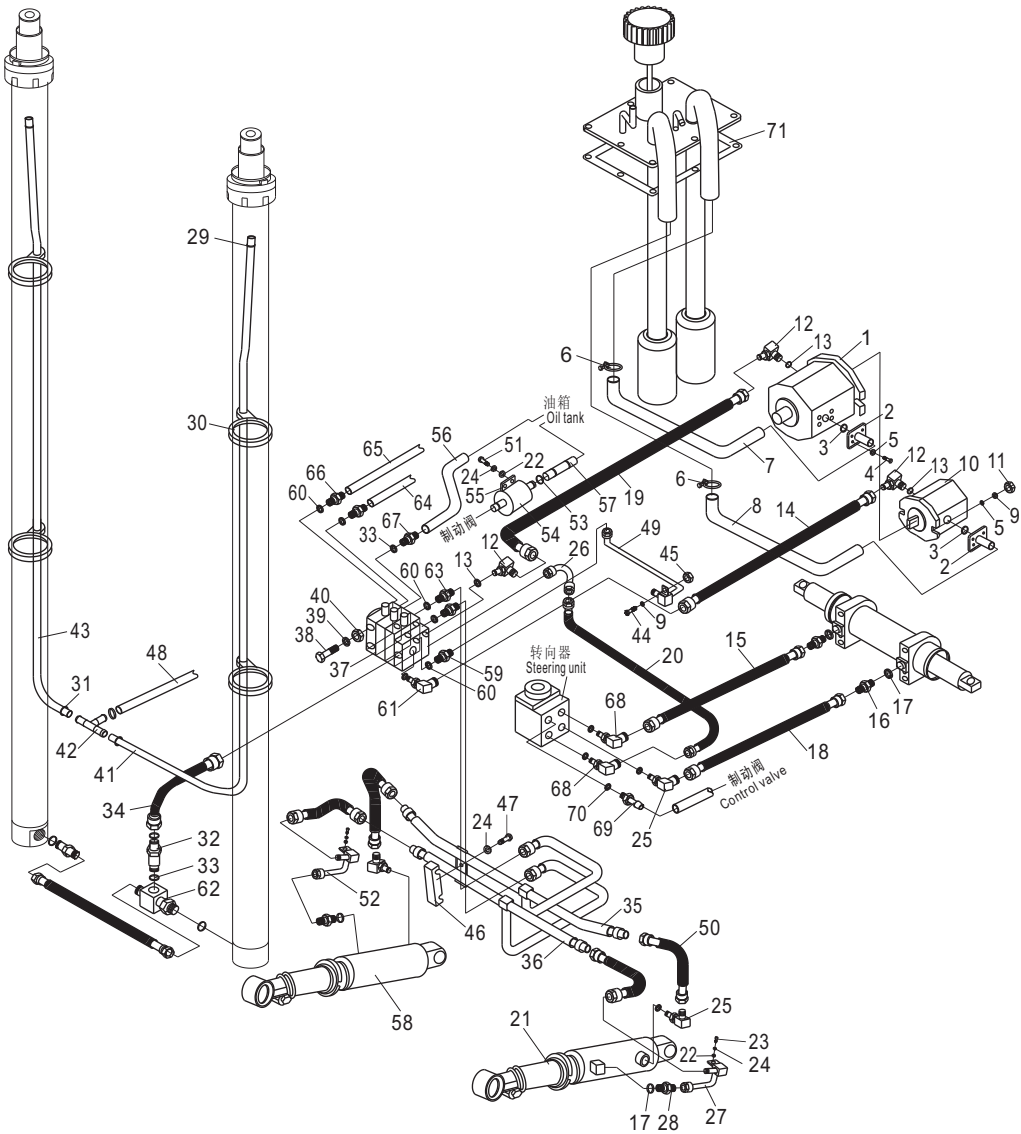


## 液压系统/Hydraulic system

序号 Item No	图号 Part No	零部件名称 Description	数量 Q'ty	备注 Remark
31	JB/T8870-1999	喉箍d25 ( φ 16-25)	Clip d25(φ16-25)	4
32	LG0100DT.12.05	限速阀	Flow regulator	1 A53J7-60301
33	GB/T3452.1-2005	O型密封圈30.0X2.65	O-ring 30×2.65	1
34	LG0100DT.12-008	限速阀高压胶管	Hose,high pressure	2 20411-277120691-27TD*2W10*660
35	LG0100DT.12.10	倾斜油缸钢管总成(后)	Steel pipe assembly (front)	1 LG100DT
36	LG0100DT.12.11	倾斜油缸钢管总成(前)	Steel pipe assembly (rear)	1 LG80DT
37	LG0100DT.12.06	多路阀	Multi-way valve	1
	LG0080DT.12.01	多路阀	Multi-way valve	1
38	GB/T5783-2000	螺栓M12X50	Bolt M12×50	1
39	GB/T93-1987	垫圈12	Washer 12	4
40	GB/T6170-2000	螺母M12	Nut M12	4
41	LG0100DT.12-010	低压耐油胶管 φ 13X4X1960	Hose,low-pressure φ13×4×1960	4
42	LG0100DT.12-022	升降油缸回油三通接头	Three-way	1
43	LG0100DT.12-012	低压耐油胶管 φ 13X4X1900	Hose,low-pressure φ13×4×1900	1
44	GB/T5781-2000	螺栓M10X25	Bolt M10×25	1
45	GB/T6172.1-2000	螺母M10	Nut M10	1
46	LG0100DT.12-023	管夹	Clip	1
47	GB/T5781-2000	螺栓M8X25	Bolt M8×25	2
48	LG0100DT.12-013	低压耐油胶管 φ 19X4X1220	Hose,low-pressure φ19×4×1220	2
49	LG0100DT.12.12	升降油缸钢管总成	Steel pipe assembly	1
50	LG0100DT.12-024	高压胶管	Hose,high pressure	1 20411-18T*2W06*420
51	GB/T5781-2000	螺栓M8X16	Nut M8×16	4
52	LG0100DT.12.17	接头总成(右)	Elbow (right)	2
53	JB/T8870-1999	喉箍d110 ( φ 90-110)	Clip d110(φ90-110)	1
54	LG0100DT.12.13	液压油滤清器	Filter	1 YK0812A5
55	LG0100DT.12-025	滤油器支架	Bracket	1
56	LG0100DT.12-014	多路阀回油管	Hose	1
57	LG0100DT.12-027	低压耐油胶管 φ 19X4X390	Hose,low-pressure φ19×4×390	1
58	LG0100DT.12.19	倾斜缸 (右)	Tilt cylinder (right)	1
59	LG0100DT.12-026	多路阀(升降油缸钢管)直通接头	Elbow	1 L1DH-30
60	GB/T3452.1-2005	O型密封圈26.5X2.65	O-ring 26.5×2.65	1
61	LG0100DT.12.14	多路阀(后泵)直角接头	Elbow	1 L1CG9-30-120G

# 液压系统/Hydraulic system

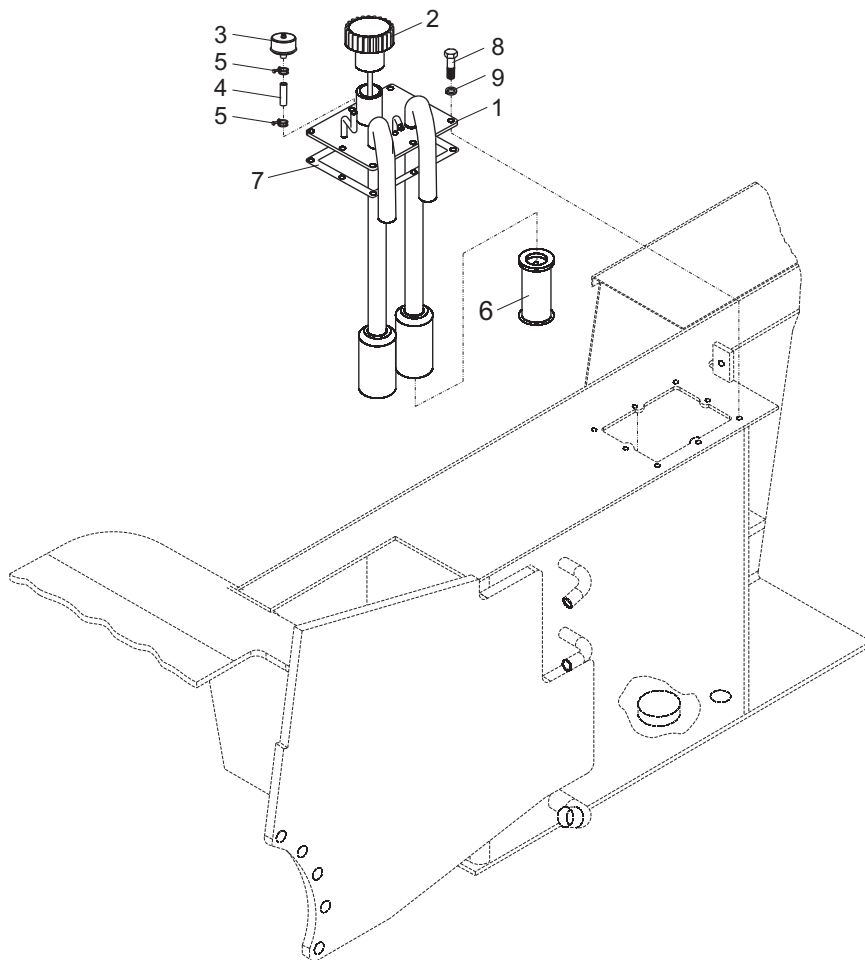
LG80DT、LG100DT





# 液压油箱 / Hydraulic oil tank

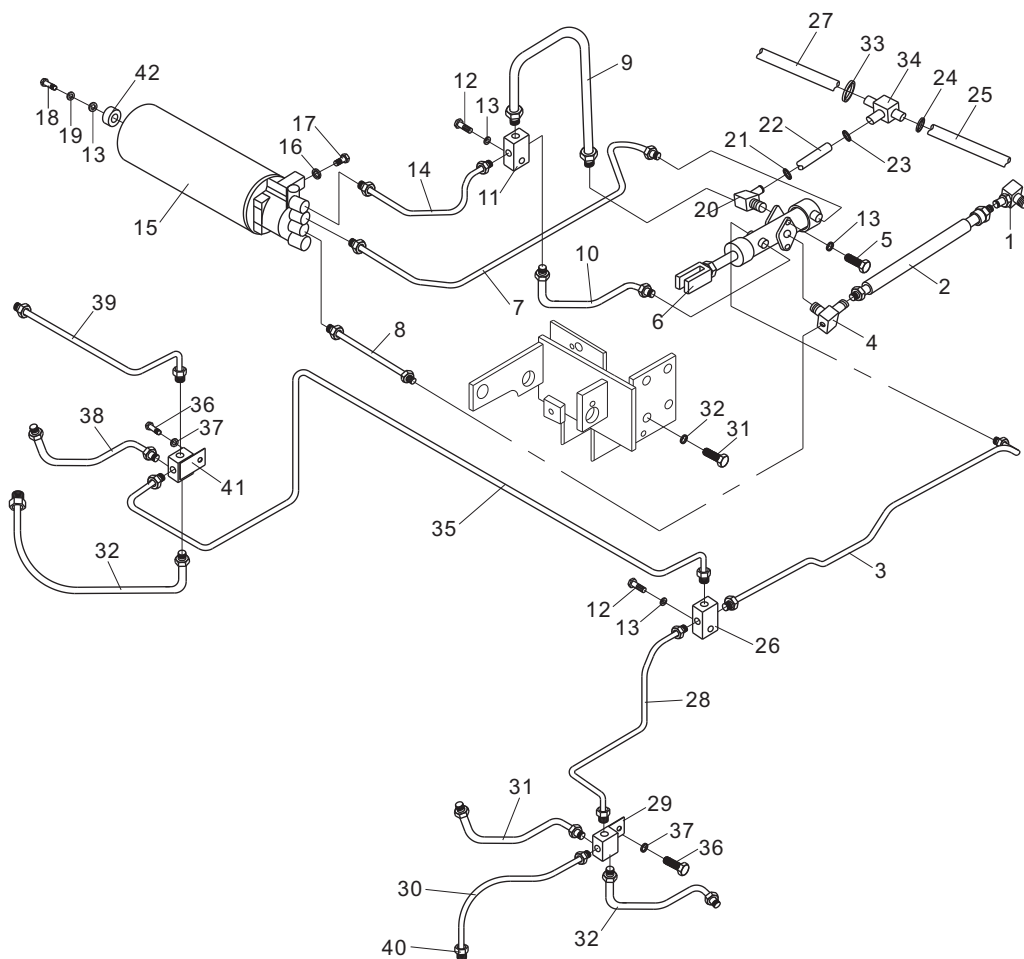
LG80DT、LG100DT





# 制动管路系统/Brake pipe system

LG80DT、LG100DT

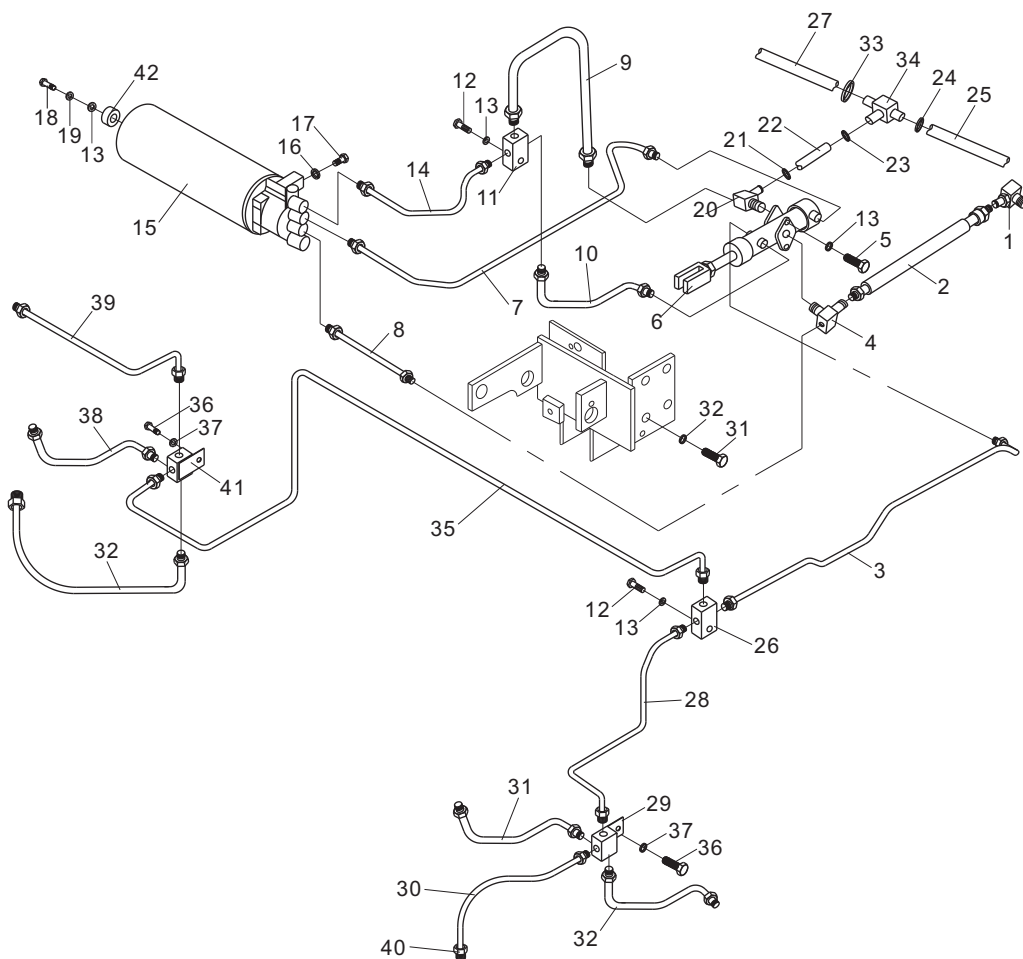


## 制动管路系统/Brake pipe system

序号 Item No	图号 Part No	零部件名称 Description	数量 Q'ty	备注 Remark
01	LG0100DT.13-001	接头 Joint	1	L1DG9-22-080G
02	LG0100DT.13-002	胶管 Hose	1	20491-22*2W08*475
03	LG0100DT.13.08	制动管装配1 Brake pipe 1	1	
04	LG0100DT.13.01	制动阀进油接头 Joint	1	
05	GB/T5786-2000	螺栓M10X1.25X20 Bolt M10×1.25×20	4	
06	LG0100DT.13.02	制动阀 Brake valve	1	0BV-L25E
07	LG0100DT.13.03	制动PA管装配 PA pipe	1	
08	LG0100DT.13.04	制动P管装配 P pipe	1	
09	LG0100DT.13.05	回油管装配1 Pipe 1	1	
10	LG0100DT.13.06	回油管装配2 Pipe 2	1	
11	LG0100DT.13-003	三通接头1 Three way 1	1	
12	GB/T5783-2000	螺栓M10X30 Bolt M10×30	4	
13	GB/T93-1987	垫圈10 Washer 10	9	
14	LG0100DT.13.07	蓄能器T管装配 T pipe	1	
15	LG0100DT.13.09	蓄能器 Reserve	1	HXQ-00
16	GB/T93-1987	垫圈8 Washer 8	2	
17	GB/T5781-2000	螺栓M8X20 Bolt M8×20	2	
18	GB/T6171-2000	螺母M10X1.25 Nut M10×1.25	1	
19	GB/T97.1-2002	垫圈10 Washer 10	1	
20	LG0100DT.13.10	制动阀N口接头 N-way	1	
21	JB/T8870-1999	喉箍d25(Φ16-25) Clip d25(Φ16-25)	2	
22	LG0100DT.13-004	低压耐油胶管Φ13X4 Low-pressure hose Φ13×4	1	L=1400mm
23	LG0100DT.13-005	扎带150X8 Belt clip 150×8	3	
24	JB/T8870-1999	喉箍d32(Φ20-32) Clip d32(Φ20-32)	6	
25	LG0100DT.13-006	低压耐油胶管Φ19X4 Low-pressure hose Φ19×4	1	L=520mm
26	LG0100DT.13-007	三通接头2 Three way 2	1	
27	LG0100DT.13-008	低压耐油胶管Φ19X4 Low-pressure hose Φ19×4	1	L=510mm
28	LG0100DT.13.12	制动管装配3 Brake pipe 3	1	
29	LG0100DT.13.13	四通分配接头左 Four way (left)	1	
30	LG0100DT.13.15	制动管左一 Brake pipe 1 (left)	1	
31	LG0100DT.13.16	制动管左二 Brake pipe 2 (right)	1	
32	LG0100DT.13.17	制动管 Brake pipe	2	

# 制动管路系统/Brake pipe system

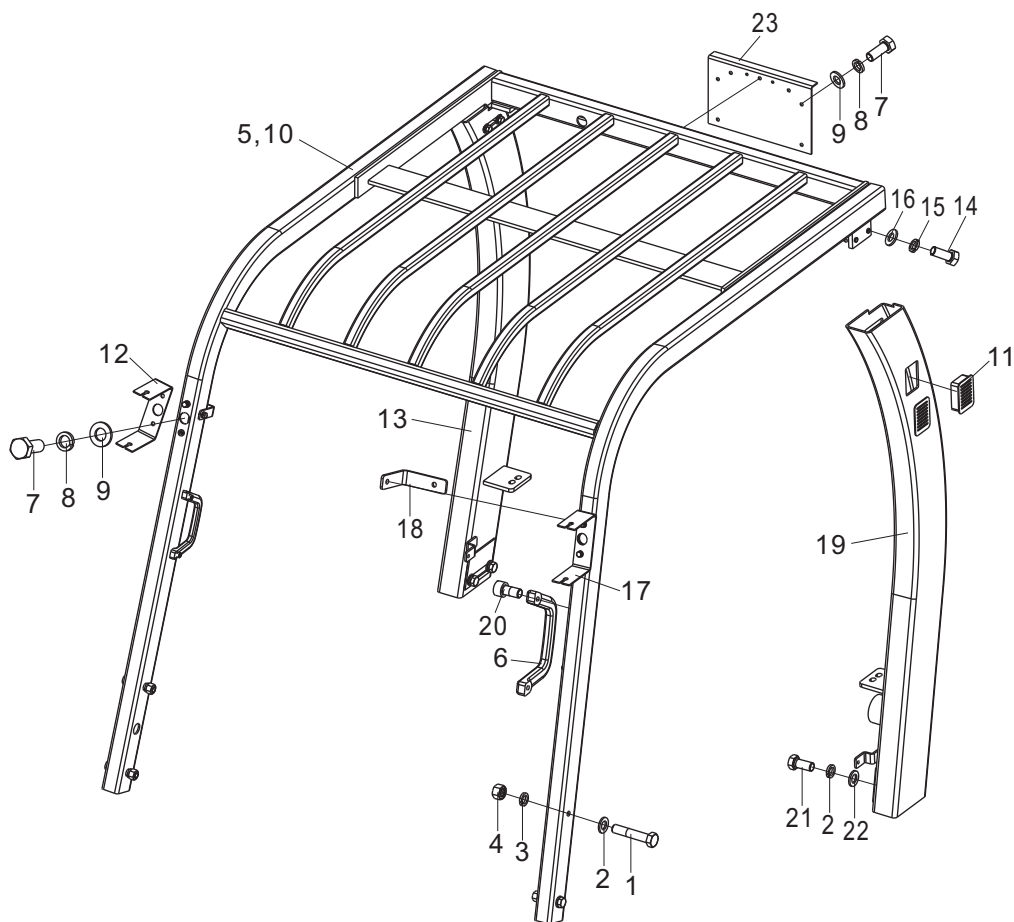
LG80DT、LG100DT





# 护顶架/Overhead guard

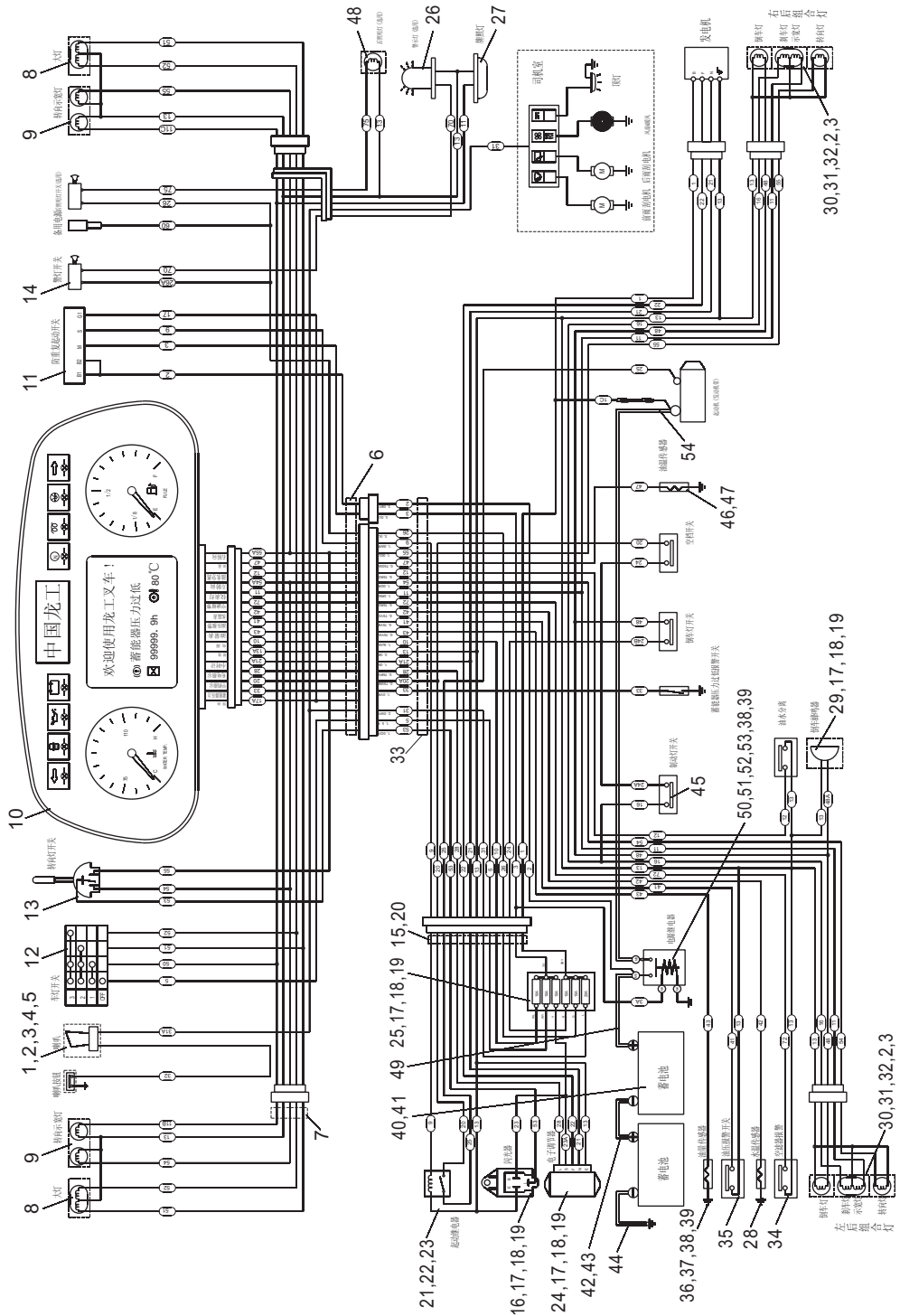
LG80DT、LG100DT





# 电气系统 / Electric system

LG80DT、LG100DT

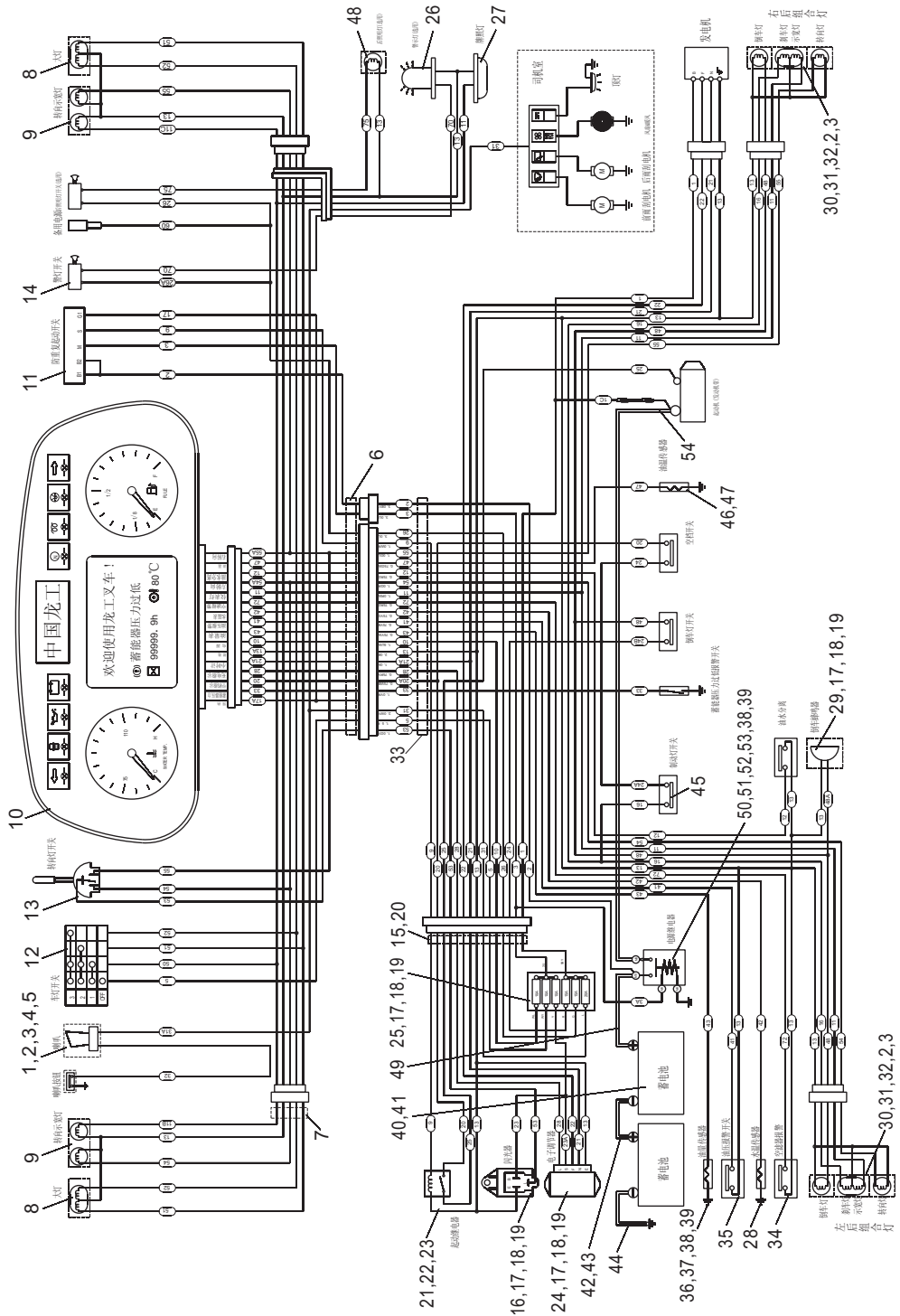


## 电气系统/Electric system

序号 Item No	图号 Part No	零部件名称 Description	数量 Q'ty	备注 Remark
01	LG0100DT.15-001	喇叭 Horn	1	DL224EG
02	GB/T5781-2000	螺栓M8X20 BoltM8×20	7	
03	GB/T93-1987	垫圈8 Washer 8	7	
04	GB/T97.1-2002	垫圈8 Washer 8	2	
05	GB/T6170-2000	螺母M8 Nut M8	1	
06	LG0100DT.15.01	仪表线束 Cabinet harness	1	
07	LG0100DT.15.02	前灯线束 Front lamp harness	1	
08	LG0100DT.15-002	前大灯 Head lamp	2	
09	LG0100DT.15-003	前组合灯 Front combination lamp	2	TCM-TZ(24V)
10	LG0100DT.15-004	组合仪表 Combination meter	1	LG908
11	LG0100DT.15-005	起动开关 Key switch	1	Jk418 (仪表带/With meter)
12	LG0100DT.15-006	车灯开关 Lamp switch	1	K108 (仪表带/With meter)
13	LG0100DT.15-007	转向开关 Turn switch	1	JK801
14	LG0100DT.15-008	警灯开关 caution light switch	1	Jk106 (选用/Option)
15	LG0100DT.15.03.01	电器元件线束 Electric element cable	1	
16	LG0100DT.15.03-001	闪光灯 Flasher	1	SG252
17	GB/T818-2000	螺钉M6X16 Screw M6×16	5	
18	GB/T93-1987	垫圈6 Washer 6	5	
19	GB/T97.1-2002	垫圈6 Washer 6	5	
20	LG0100DT.15-021	扎带 Belt clip	1	
21	LG0100DT.15.03-002	继电器 Relay	1	2912
22	GB/T818-2000	螺钉M5X12 Screw M5×12	1	
23	GB/T97.1-2002	垫圈5 Washer 5	1	
24	LG0100DT.15.03-003	电子调节器 Adjustment	1	JFT147-28C
25	LG0100DT.15.03-004	保险丝盒 Fuse box	1	
26	LG0100DT.15-009	警示灯 caution light	1	LTD141(24V) (选用/Option)
27	LG0100DT.15-010	牌照灯 license plate lamp	1	DPC5-24V
28	LG0100DT.15-011	水温传感器 Water temp sending unit	1	(Z3/8) (仪表带/With meter)
29	LG0100DT.15-012	倒车蜂鸣器 Back buzzer	1	DJB-24B
30	LG0100DT.15-015	后组合灯 Rear combination lamp	2	
31	LG0100DT.15.05	后组合灯架 Bracket	2	
32	LG0100DT.15-016	扎带 Belt clip	2	ZD100X3

# 电气系统 / Electric system

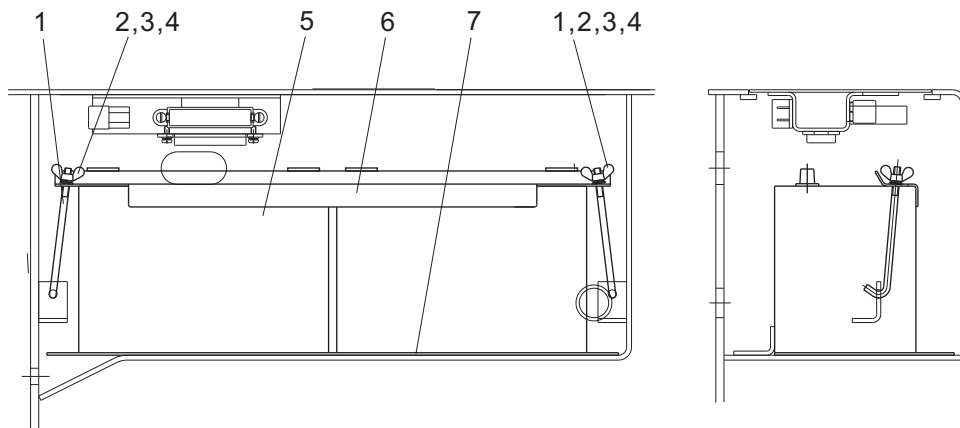
LG80DT、LG100DT





## 蓄电池安装/Battery mount

LG80DT、LG100DT





# 标牌/Decal

LG80DT、LG100DT

